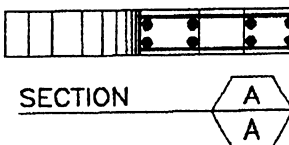
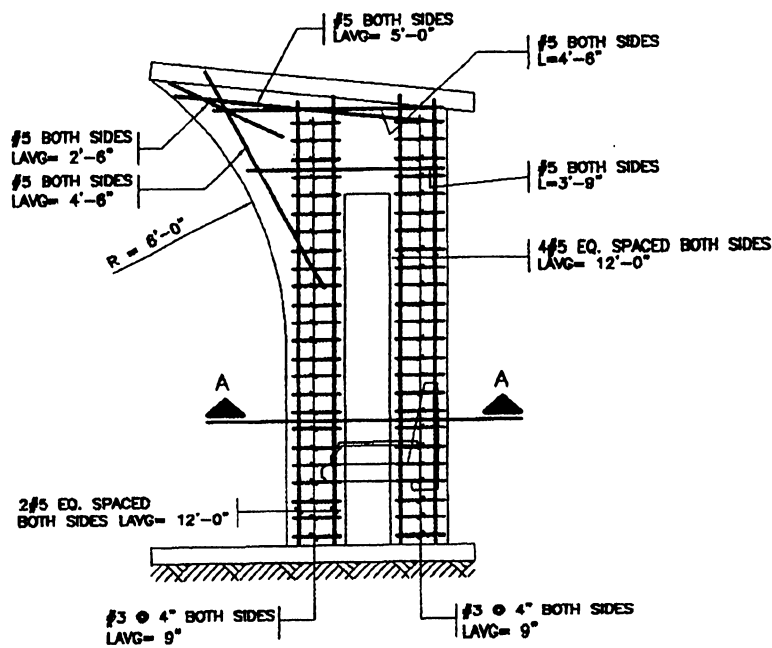
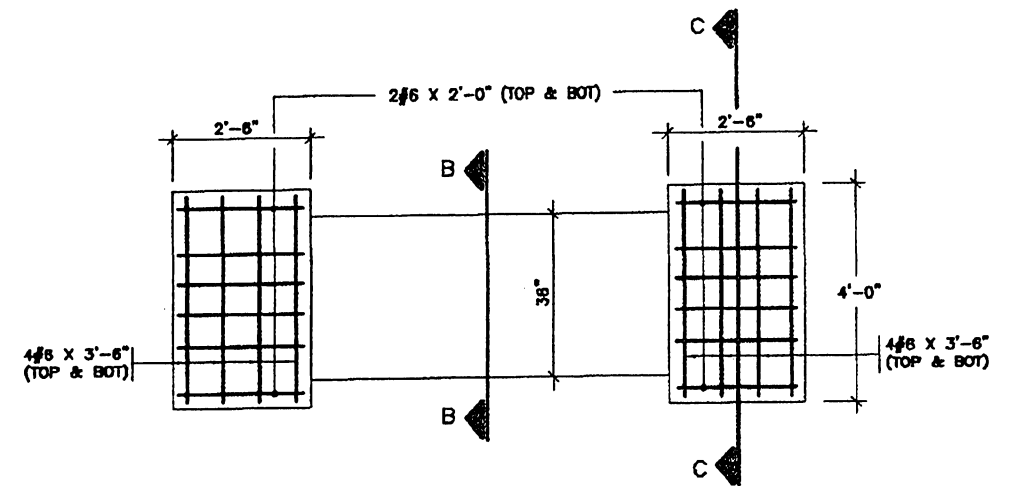


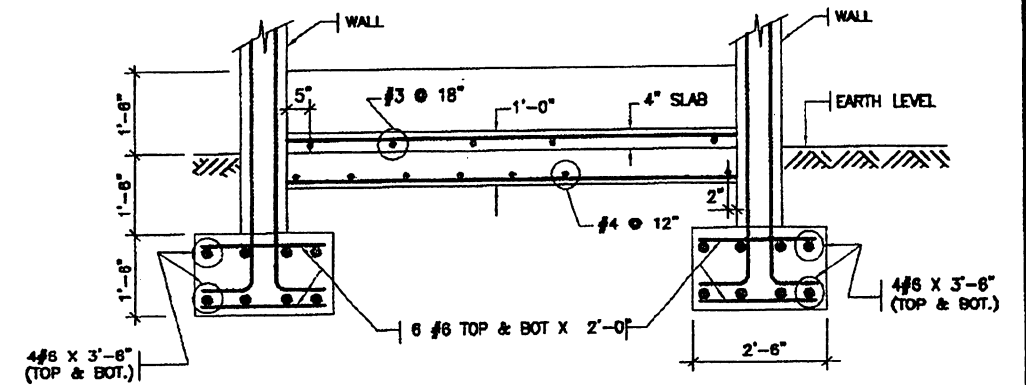
TYPICAL ELEVATION



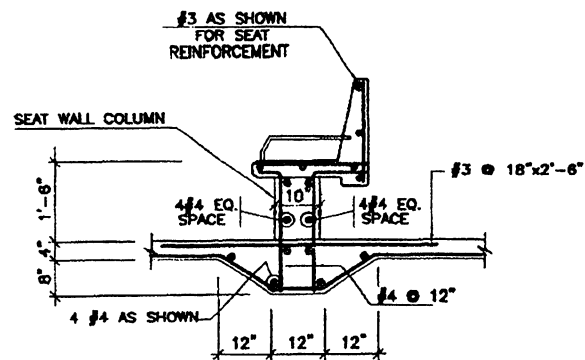
TYPICAL WALL - COLUMN REINFORCEMENT



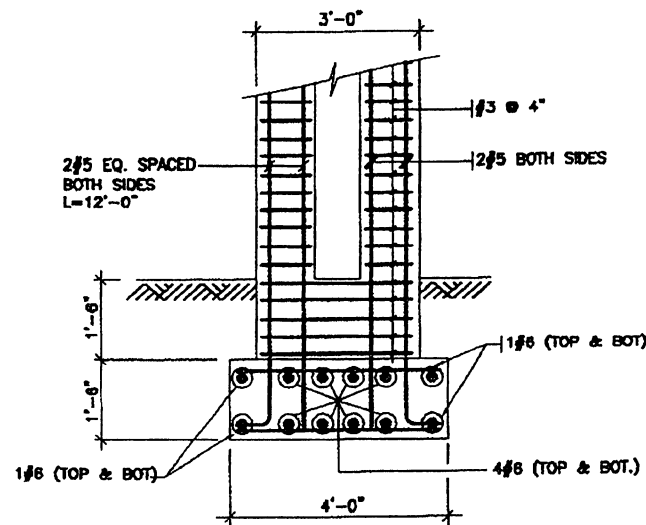
FOUNDATION PLAN



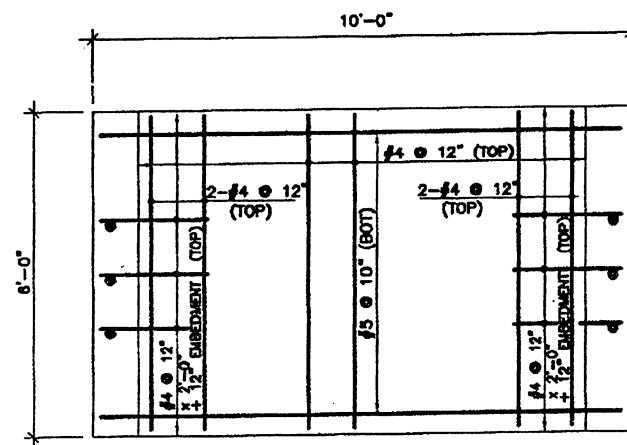
FOUNDATION TYPICAL ELEVATION



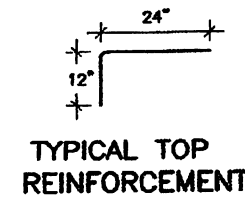
SECTION B B



SECTION C C



TYPICAL SLAB REINFORCEMENT



TYPICAL TOP REINFORCEMENT

EFFECTIVE DATE: OCTOBER 1997

COMMONWEALTH OF PUERTO RICO DEPARTMENT OF TRANSPORTATION AND PUBLIC WORKS HIGHWAY AND TRANSPORTATION AUTHORITY		
BUS STOP SHELTER CONSTRUCTION DETAILS		RECOMMENDED BY: <i>[Signature]</i> DESIGN AREA DIRECTOR DATE: 10-3-97
		APPROVED BY: <i>[Signature]</i> EXECUTIVE DIRECTOR DATE: 10-11-97
BUS STOP SHELTER CONSTRUCTION DETAILS		APPROVED BY: <i>[Signature]</i> DIV. ADM. FHWA-PR DIVISION DATE: 11-7-97
		DATE
STD. DWG.	BSS 2 OF 2	