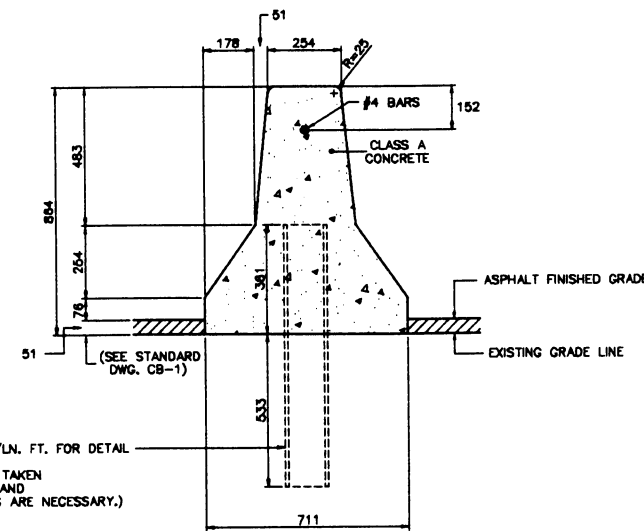
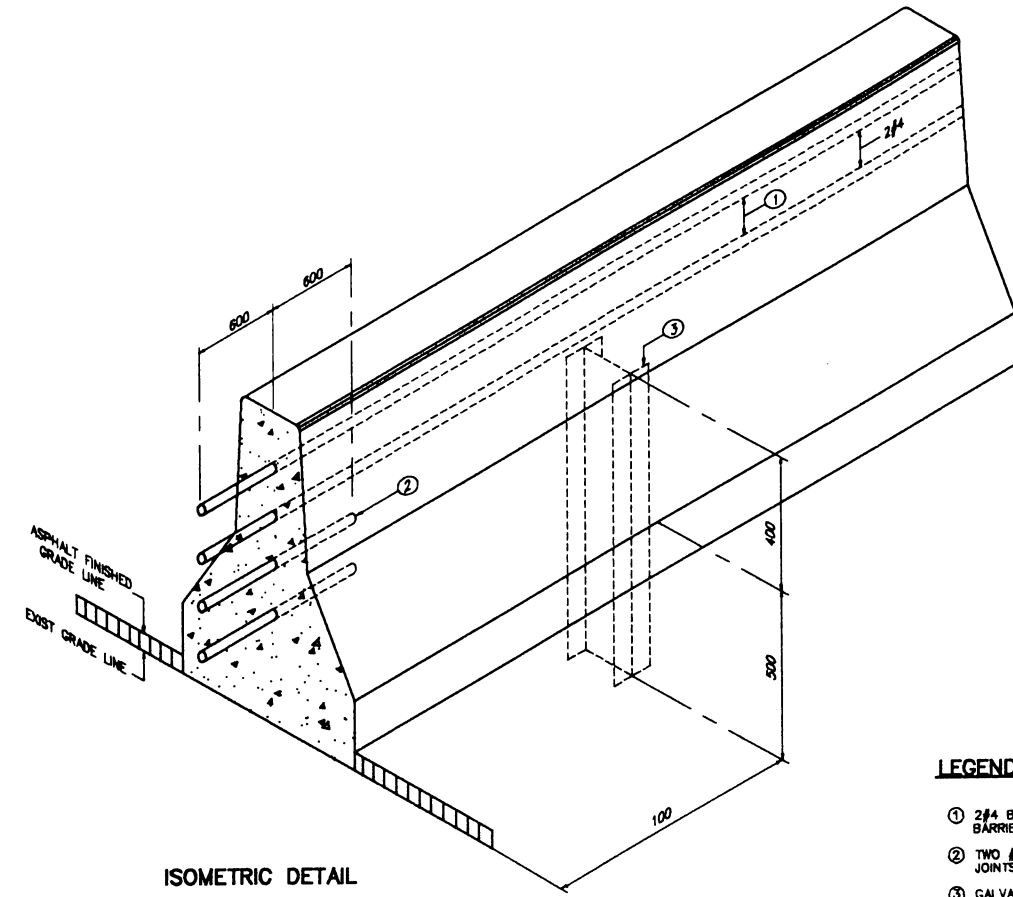


**FRONT VIEW DETAIL
BARRIER OPENING**



**FRONT VIEW DETAIL
NORMAL SECTION**

WF 152.4 x 215.9 #/LN. FT. FOR DETAIL
SEE ELEV. VIEW.
(PROVISIONS WILL BE TAKEN
WHERE DRAIN HOLES AND
PEDESTRIAN CROSSING ARE NECESSARY.)



**ISOMETRIC DETAIL
NORMAL SECTION AT JOINT WITH
END SECTION AND CONSTRUCTION JOINT**

LEGEND

- ① 2#4 BARS TO BE USED CONTINUOUS ALONG THE MEDIAN BARRIER EXCEPT WHERE NOT INDICATED.
- ② TWO #6 x 1.20 BARS TO BE USED AT CONSTRUCTION JOINTS AND BETWEEN NORMAL AND END SECTION.
- ③ GALVANIZED WF 152.4 x 215.9 # / LN. FT. x 900.

NOTES

- 1-THESE DETAILS WILL BE USED FOR ALL CONCRETE BARRIER TYPES.
- 2-ALL DIMENSIONS IN MILLIMETERS.

COMMONWEALTH OF PUERTO RICO DEPARTMENT OF TRANSPORTATION AND PUBLIC WORKS HIGHWAY AND TRANSPORTATION AUTHORITY		
CONCRETE BARRIER		RECOMMENDED BY: <i>[Signature]</i> DESIGN AREA DIRECTOR DATE: 5-13-96
JOINT WITH END SECTION AND CONSTRUCTION JOINT		APPROVED BY: <i>[Signature]</i> EXECUTIVE DIRECTOR DATE: 6-13-96
DATE		BY
REVISION		BY
STD.	CB	
DWG.	5 OF 8	