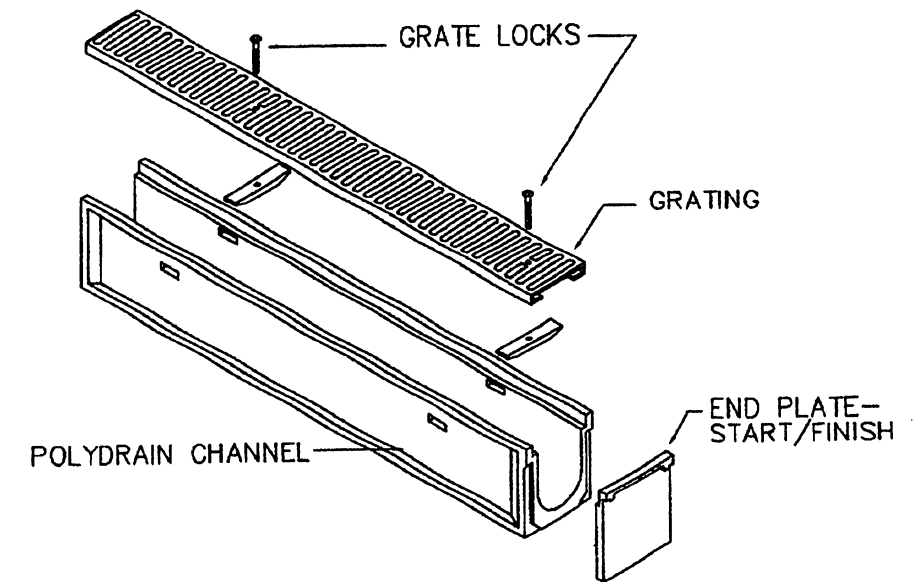


PLAN

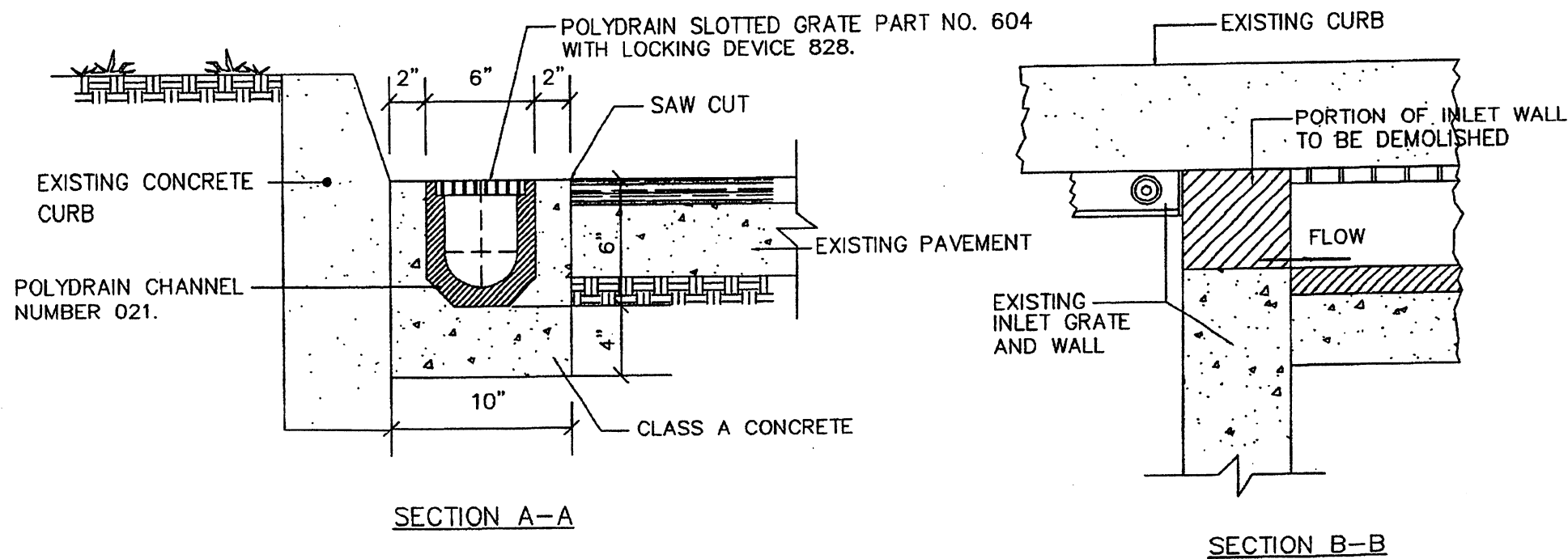


POLYMER CONCRETE DRAIN SYSTEM

EXCAVATION, CONCRETE BACKFILL, AND INCIDENTALS ARE A SUBSIDIARY OBLIGATION.

NOTE:

CASTING FOR GRATE SHALL BE GRAY CAST IRON AASHTO SPECIFICATION M-105, CLASS 30B.



EFFECTIVE DATE: DECEMBER 1998

COMMONWEALTH OF PUERTO RICO DEPARTMENT OF TRANSPORTATION AND PUBLIC WORKS HIGHWAY AND TRANSPORTATION AUTHORITY		
DRAINAGE PRECAST CURB DRAINS		RECOMMENDED BY: <i>[Signature]</i> DESIGN AREA DIRECTOR DATE: <i>12-7-98</i> APPROVED BY: <i>[Signature]</i> EXECUTIVE DIRECTOR DATE: <i>12-7-98</i> APPROVED BY: <i>[Signature]</i> DIV. ADM. FHWA-PR DIVISION DATE: <i>12-7-98</i>
DATE	REVISION	BY
12-1998	PAGE RENUMBERED	LV.
STD. DWG.	DR 17 OF 40	