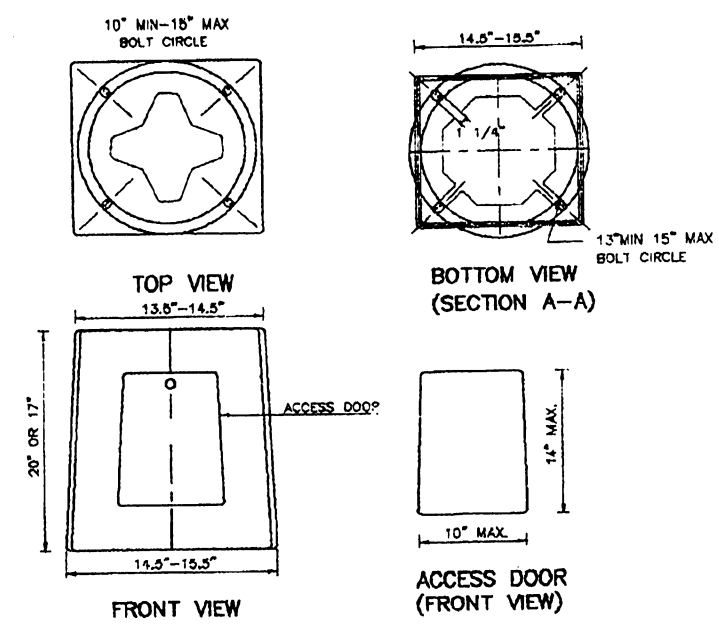


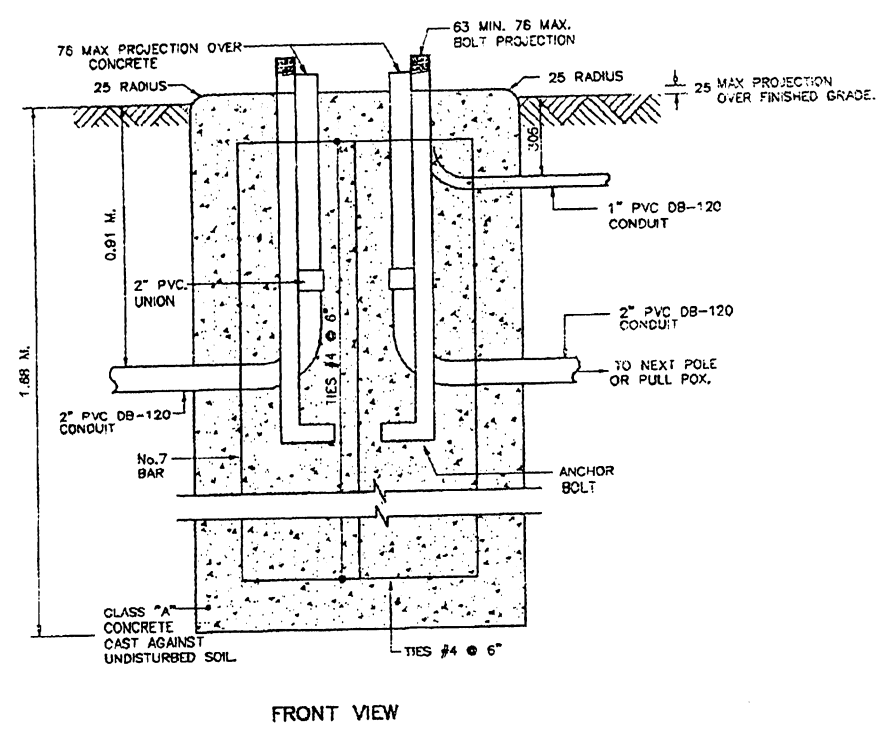
NOTE:
THE BASE SHOWN ABOVE APPLIES TO LIGHTING POLES INSTALLED IN AREAS WHERE SPLICE BOX IS NOT USED.

CONC. BASE TOP VIEW
(TRANSFORMER BASE OR SHOE BASE)
NOT TO SCALE

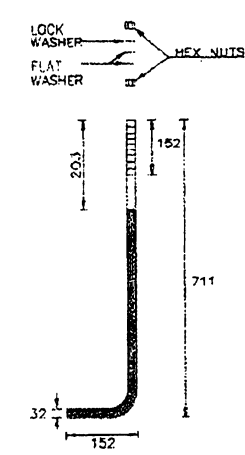


NOTE:
1- ONLY TRANSFORMER BASES INCLUDED IN THE FHWA LIST OF TESTED AND APPROVED BREAKAWAY BASES SHALL BE USED.
2- ACCESS DOOR SHALL BE OF HIGH DENSITY PLASTIC WITH U.V. INHIBITORS.

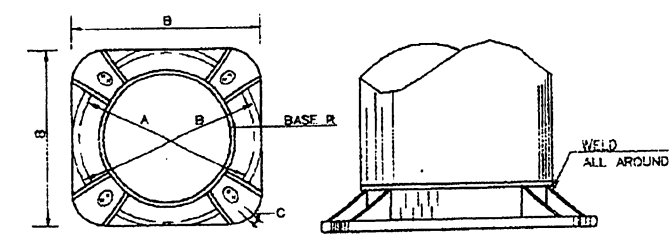
TRANSFORMER BASE
NOT TO SCALE



ANCHOR & BASE DETAIL
NOT TO SCALE



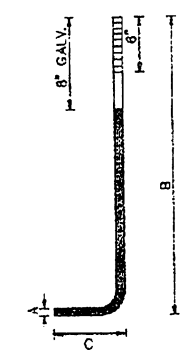
ANCHOR BOLT DETAIL
NOT TO SCALE



MOUNTING HEIGHT	NO. OF ARMS	DIMENSION (INCHES)		
		A(MAX)	B(MIN.)	C
40 FT	1	14"	15"	1 1/8"
	2			1 3/8"

SPECIFICATIONS
ANCHOR BASE IS FABRICATED FROM CAST ALUMINUM ALLOY 356-T-6 AND WELDED TO THE POLE SHAFT.
WELDING OF ANCHOR BASE SHALL BE IN ACCORDANCE WITH SECTION 1.5.3 OF ASHTO STANDARD SPECIFICATIONS FOR STRUCTURAL SUPPORTS FOR HIGHWAY SIGNS, LUMINAIRES AND TRAFFIC SIGNALS.
BASE WILL WITHSTAND A MOMENT EQUAL TO OR EXCEEDING THAT OF THE POLE SHAFT.

SHOE BASE
NOT TO SCALE



SPECIFICATIONS
ANCHOR BOLT SHALL BE HOT BENT AND SHALL MEET THE REQUIREMENT OF ASTM A-675 GR. 90 OR F1554 GR. 55. NUTS SHALL MEET THE REQUIREMENTS OF ASTM A-563 GRADE A AND ANSI B18. 2.2 HEX TYPE.
FLAT WASHER SHALL MEET THE REQUIREMENTS OF ANSI B27.2 HEAVY WASHER.
LOCK WASHERS SHALL MEET THE REQUIREMENT OF ANSI 18.21.1 HEAVY WASHER.
BOLTS, NUTS AND WASHER SHALL BE GALVANIZED IN ACCORDANCE WITH ASTM A-153.

MOUNTING HEIGHT	NO. OF ARMS	FOR ANCHOR BASE		
		A(MAX)	B(MIN.)	C
40 FT.	1	25	914	102
	2	32	1066	152

ANCHOR BOLT, NUTS AND WASHER
NOT TO SCALE

EFFECTIVE DATE: NOVEMBER 1996

COMMONWEALTH OF PUERTO RICO
DEPARTMENT OF TRANSPORTATION AND PUBLIC WORKS
HIGHWAY AND TRANSPORTATION AUTHORITY

POLE BASE AND ANCHOR DETAIL

RECOMMENDED BY: *[Signature]*
DESIGN AREA DIRECTOR
DATE: *2/1/96*

APPROVED BY: *[Signature]*
EXECUTIVE DIRECTOR
DATE: *2/1/96*

APPROVED BY: *[Signature]*
DIST. ENG. SUPERINT. P.B.E.P.A.
DATE: *2/1/96*

APPROVED BY: *[Signature]*
DIV. ADM. FWA - PR DIVISION
DATE: *2/1/96*

DATE	REVISION	BY

STD. DWG. 5 OF 17