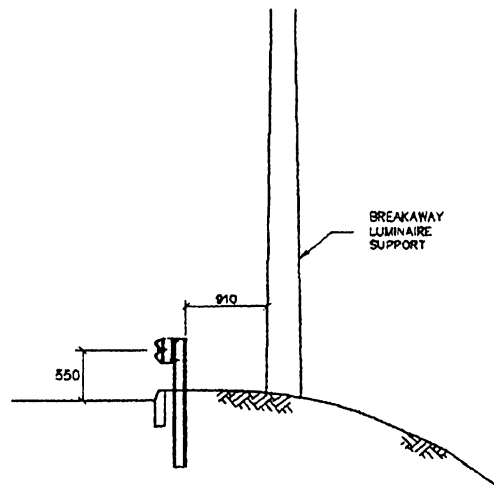
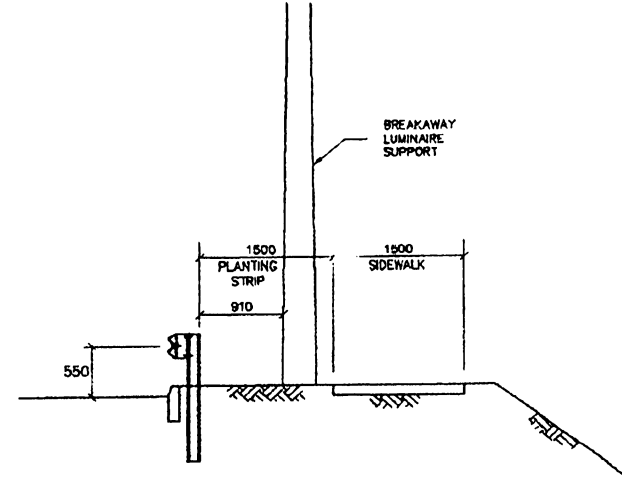


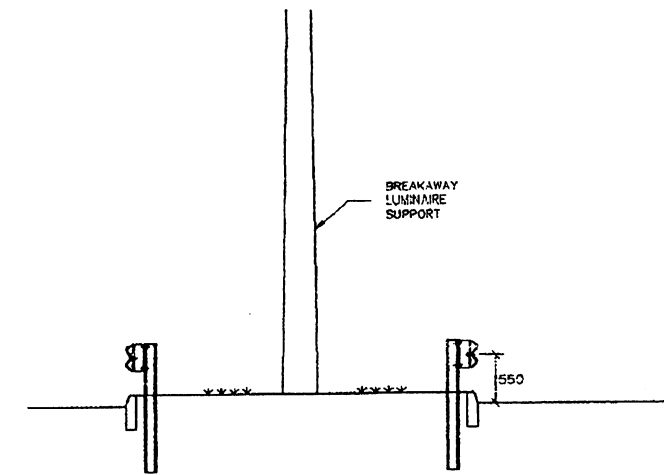
SHOULDER INSTALLATION



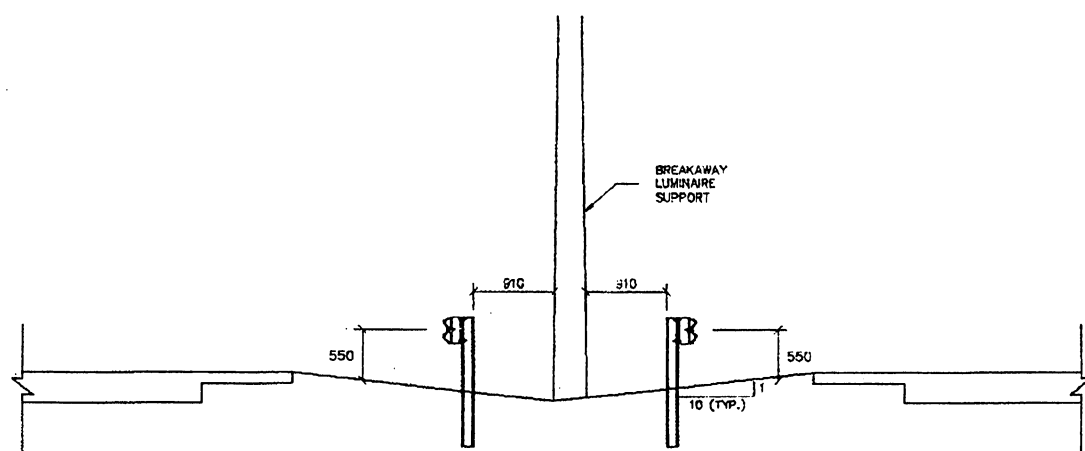
SHOULDER INSTALLATION W/CURBS



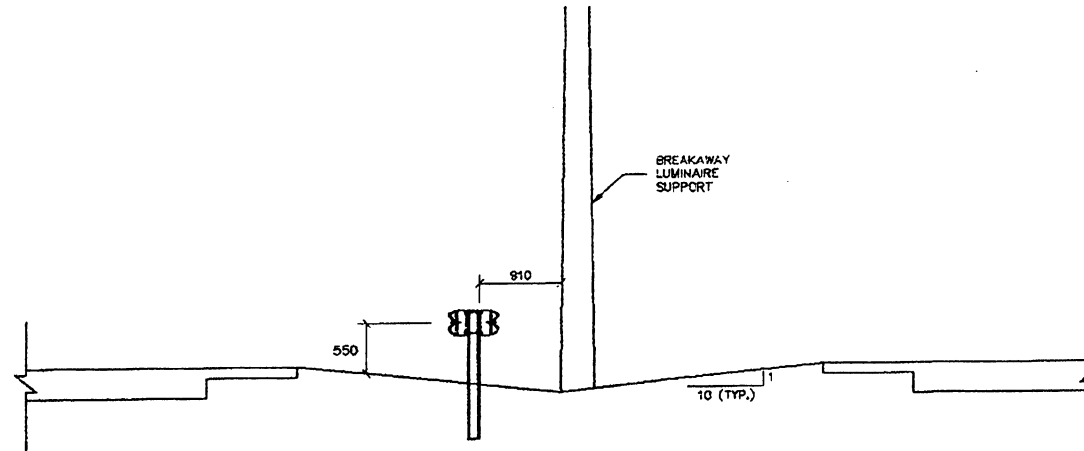
INSTALLATION WITH PLANTING STRIP & SIDEWALK



RAISED MEDIANS  
TO BE USED IN CASE OF EXISTING RAISED  
MEDIANS TO REMAIN.



DEPRESSED MEDIAN WITH BREAKAWAY LUMINAIRES  
IN MEDIAN WHERE GUARD RAIL IS REQUIRED



DEPRESSED MEDIAN WITH BREAKAWAY LUMINAIRES  
IN MEDIAN WHERE GUARD RAIL IS REQUIRED

EFFECTIVE DATE: FEBRUARY 1997

COMMONWEALTH OF PUERTO RICO DEPARTMENT OF TRANSPORTATION AND PUBLIC WORKS HIGHWAY AND TRANSPORTATION AUTHORITY			
METAL BARRIER W-BEAM STRONG-POST HIGHWAY LIGHTING		RECOMMENDED BY: <i>[Signature]</i> DESIGN AREA DIRECTOR DATE: <i>APR 15, 97</i> APPROVED BY: <i>[Signature]</i> EXECUTIVE DIRECTOR DATE: <i>[Signature]</i> APPROVED BY: <i>[Signature]</i> DIV. ADM. FHWA-97 DIVISION DATE: <i>4-10-97</i>	
DATE	REVISION	BY	
1-1-97	GENERAL REVISION	L.V.	
STD. DWG.			MB 7 OF 28