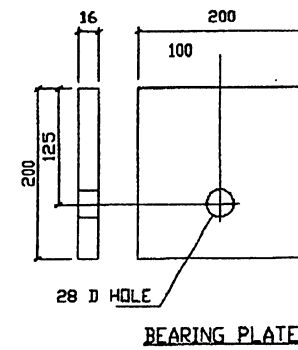
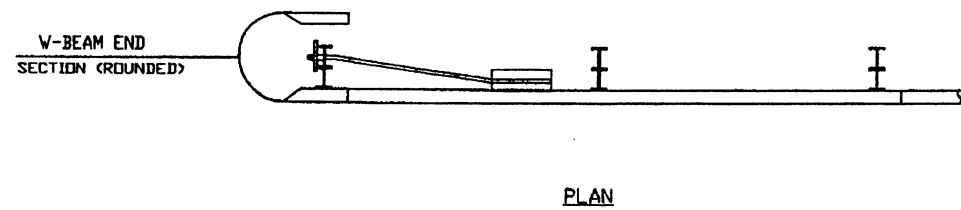


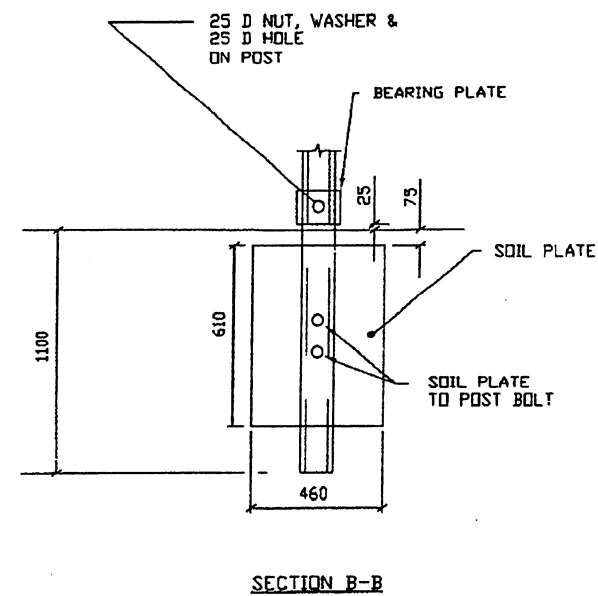
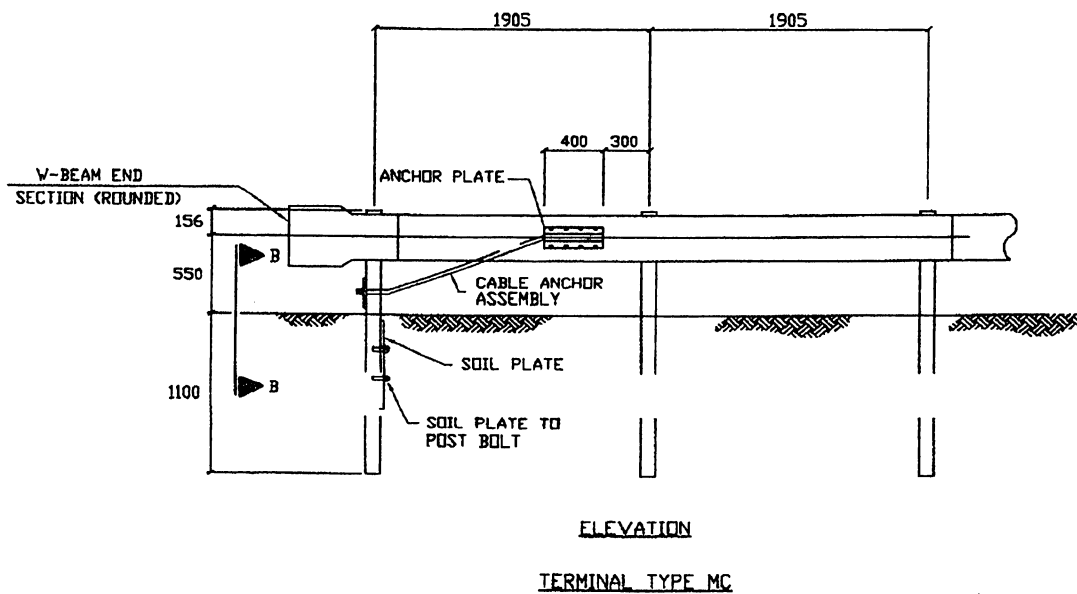
NOTE:

ALL NECESSARY HARDWARE FOR THE CONSTRUCTION OF TERMINAL MC SHALL BE A SUBSIDIARY OBLIGATION OF THE GUARD RAIL ITEM.



I. SPECIFICATIONS

- A. BEARING PLATE SHALL BE FORMED FROM AASHTO M270M (ASTM A709M) GRADE 250 STEEL PLATE AND ZINC-COATED ACCORDING TO AASHTO M111 (ASTM123). NO PUNCHING, DRILLING OR CUTTING IS PERMITTED AFTER THE PLATE IS ZINC-COATED.
- B. DIMENSIONAL TOLERANCES NOT SHOWN OR IMPLIED ARE INTENDED TO BE CONSISTENT WITH THE PROPER FUNCTION OF THE PART, INCLUDING ITS APPEARANCE AND ACCEPTED MANUFACTURING PRACTICES.



EFFECTIVE DATE: OCTOBER 1997

COMMONWEALTH OF PUERTO RICO DEPARTMENT OF TRANSPORTATION AND PUBLIC WORKS HIGHWAY AND TRANSPORTATION AUTHORITY		
METAL BARRIER W-BEAM STRONG-POST SINGLE FACE TERMINAL TYPE MC		RECOMMENDED BY: <i>[Signature]</i> DESIGN AREA DIRECTOR DATE: <i>9-16-97</i> APPROVED BY: <i>[Signature]</i> EXECUTIVE DIRECTOR DATE: <i>9-16-97</i> APPROVED BY: <i>[Signature]</i> ADM. ENGR. DIVISION DATE: <i>Oct. 6, 97</i>
DATE	REVISION	BY
1-1-97	GENERAL REVISION	I.V.
9-18-97	ADD NOTE	I.V.
STD. DWG.	MB	10 OF 28