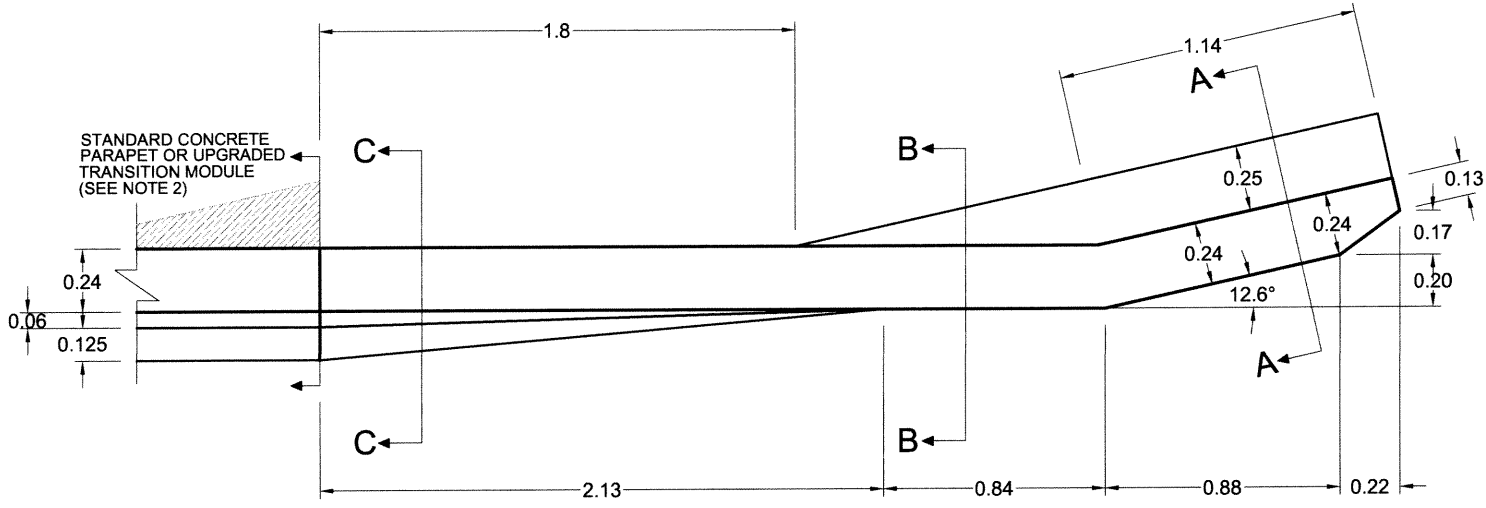
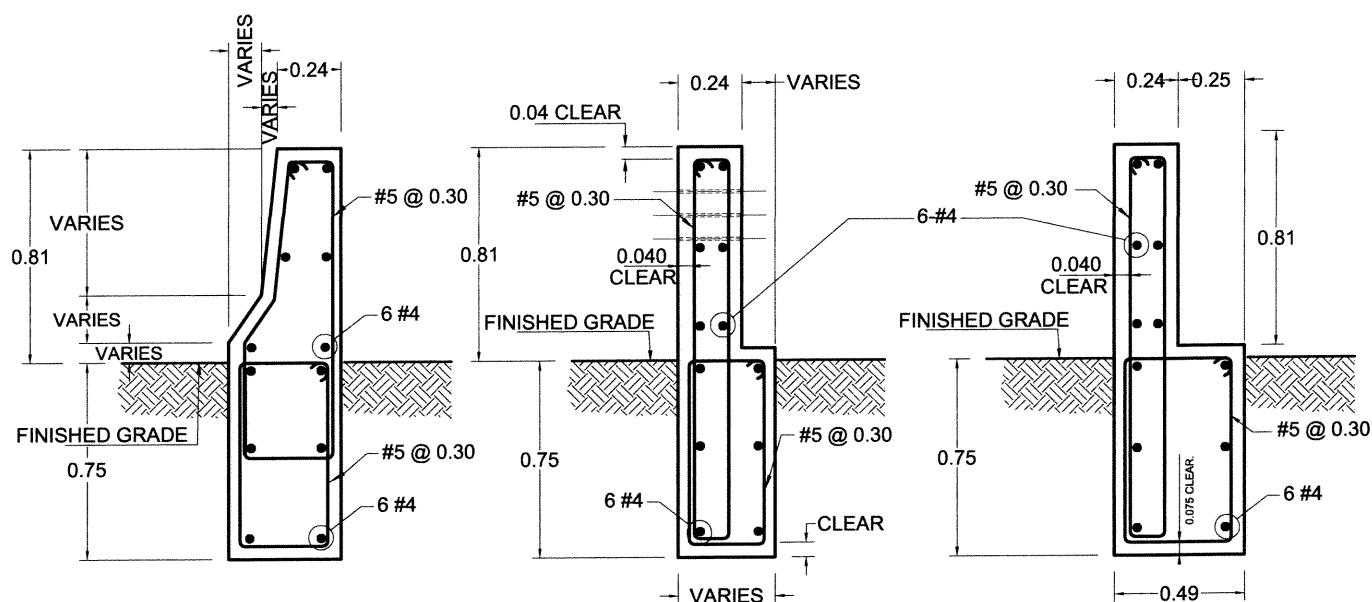


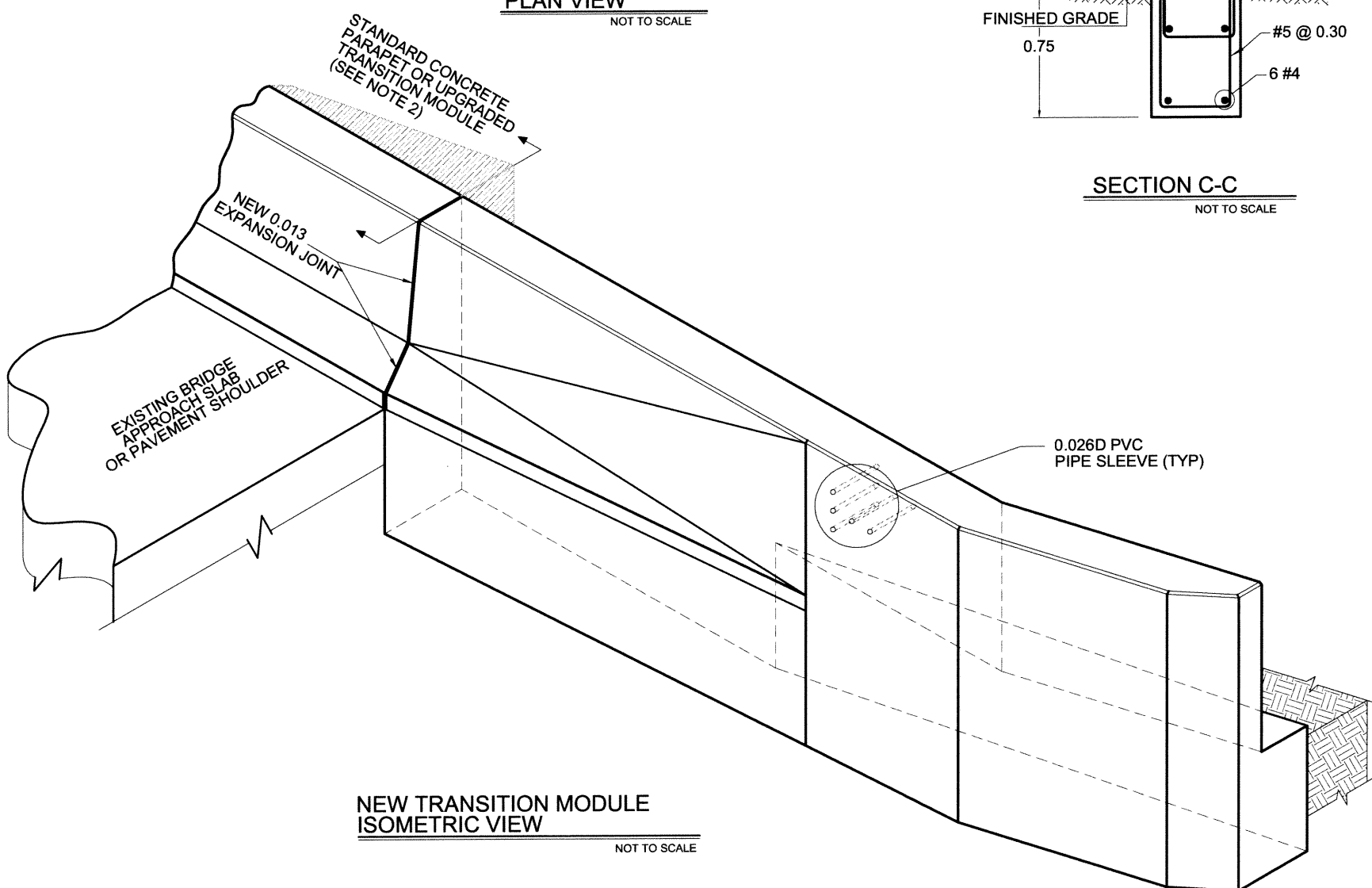
DATE	REVISION	BY
SEPT. 09	ORIGINAL	



PLAN VIEW
NOT TO SCALE



SECTION C-C NOT TO SCALE
SECTION B-B NOT TO SCALE
SECTION A-A NOT TO SCALE



NEW TRANSITION MODULE ISOMETRIC VIEW
NOT TO SCALE

- GENERAL NOTES:**
1. ALL DIMENSIONS IN METERS UNLESS OTHERWISE SPECIFIED.
 2. FOR RECONSTRUCTION OF EXISTING TRANSITION MODULE, SEE DETAILS ON SHEETS MB-14A AND MB-14B.
 3. ALL BRIDGE TRANSITION UPGRADE SHALL BE PAINTED WHITE IN ACCORDANCE WITH SPECIFICATION TTP-115F TRAFFIC PAINT, TYPE II.

	COMMONWEALTH OF PUERTO RICO DEPARTMENT OF TRANSPORTATION AND PUBLIC WORKS HIGHWAY AND TRANSPORTATION AUTHORITY	DATE: 23/12/09	STANDARD DRAWING APPROVED BY:	METAL BARRIER W-BEAM STRONG POST TRANSITION SECTION TO CONCRETE PARAPET TRANSITION MODULE DETAILS	MB-12 SEPTEMBER 2009
			DEPUTY EXECUTIVE DIRECTOR FOR INFRASTRUCTURE		