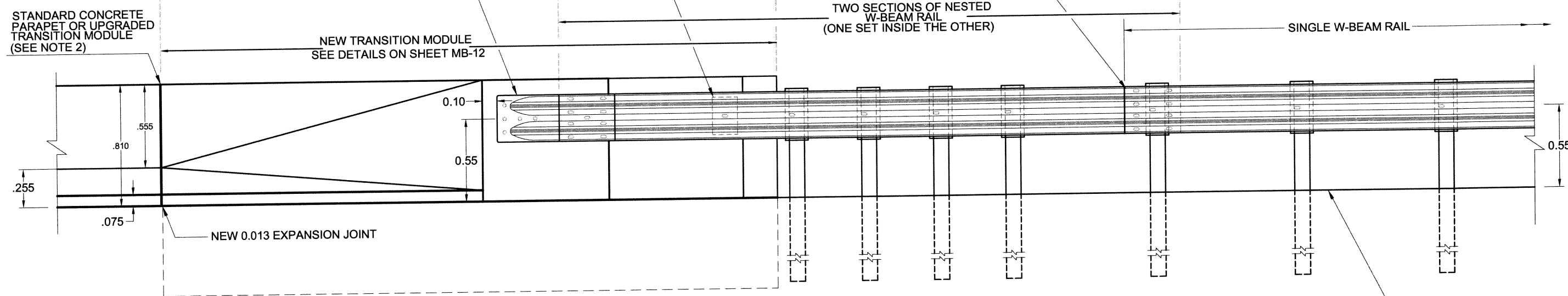
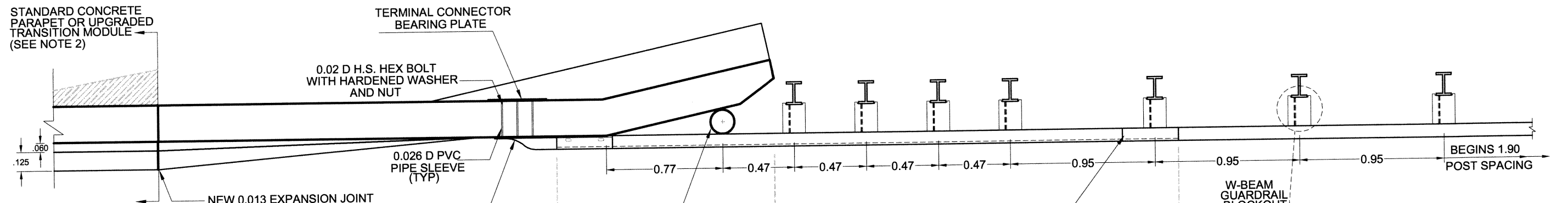


BY	REVISION	DATE	BY	REVISION	DATE	BY	REVISION	DATE
BY	REVISION	DATE	BY	REVISION	DATE	BY	REVISION	DATE
BY	REVISION	DATE	BY	REVISION	DATE	BY	REVISION	DATE
BY	REVISION	DATE	BY	REVISION	DATE	BY	REVISION	DATE
BY	REVISION	DATE	BY	REVISION	DATE	BY	REVISION	DATE
	ORIGINAL							
DATE		SEPT. 09						



GUARDRAIL TRANSITION SECTION

NOT TO SCALE

- GENERAL NOTE:**
1. ALL DIMENSIONS IN METERS UNLESS OTHERWISE SPECIFIED.
 2. FOR RECONSTRUCTION OF EXISTING TRANSITION MODULE, SEE DETAILS ON SHEETS MB-14A AND MB-14B.



COMMONWEALTH OF PUERTO RICO
DEPARTMENT OF TRANSPORTATION AND PUBLIC WORKS
HIGHWAY AND TRANSPORTATION AUTHORITY

DATE: 23/11/09

STANDARD DRAWING APPROVED BY:
[Signature]
DEPUTY EXECUTIVE DIRECTOR
FOR INFRASTRUCTURE

METAL BARRIER
W-BEAM STRONG POST
TRANSITION SECTION TO CONCRETE PARAPET
TRANSITION MODULE DETAILS

MB-13
SEPTEMBER 2009