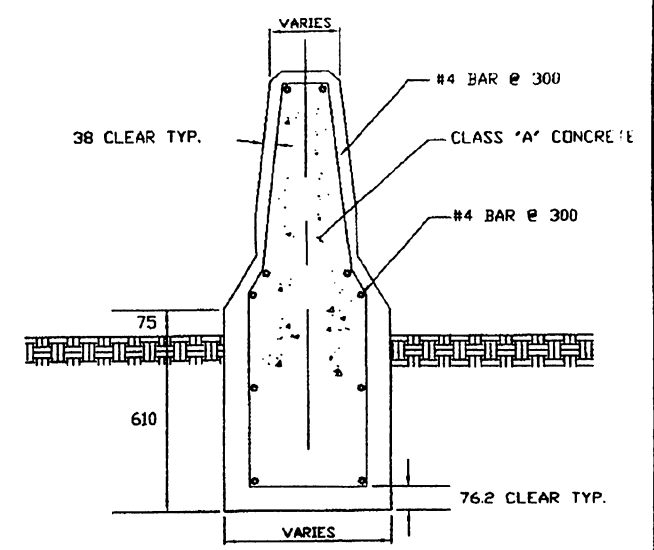
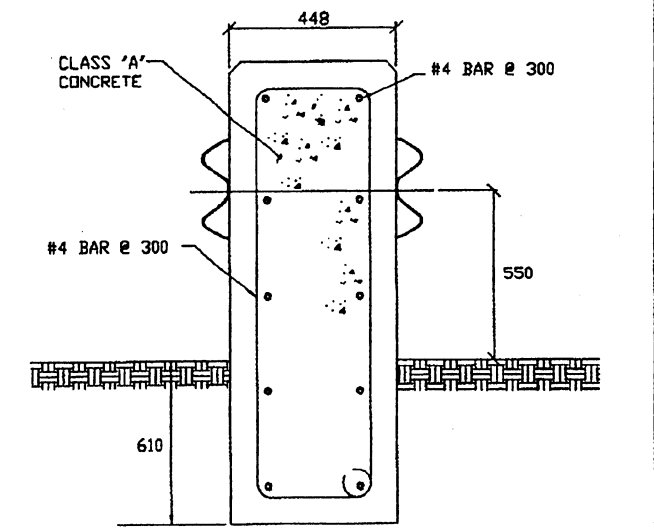


NOTE:  
FOR TERMINAL CONNECTOR, BEARING PLATE,  
COLLAPSING TUBE, SLEEVES & BOLT SEE DWG. 3/25.

TRANSITION GUARD RAIL DOUBLE FACE TO CONCRETE MEDIAN BARRIER TYPE A



SECTION A-A



SECTION B-B

EFFECTIVE DATE: OCTOBER 1997

NOTE:  
ALL NECESSARY HARDWARE FOR THE  
CONSTRUCTION OF THE CONNECTION SHALL BE A  
SUBSIDIARY OBLIGATION OF THE  
GUARD RAIL ITEM.

COMMONWEALTH OF PUERTO RICO DEPARTMENT OF TRANSPORTATION AND PUBLIC WORKS HIGHWAY AND TRANSPORTATION AUTHORITY		
<b>METAL BARRIER</b> <b>W-BEAM STRONG POST</b> <b>DOUBLE FACE</b> <b>CONNECTION CONCRETE</b> <b>BARRIER TYPE A</b>		RECOMMENDED BY: <i>[Signature]</i> DESIGN AREA DIRECTOR DATE: 9-26-97 APPROVED BY: <i>[Signature]</i> EXECUTIVE DIRECTOR DATE: APPROVED BY: <i>[Signature]</i> DIV. ADM. ENWA-PR DIVISION DATE: Oct. 9, 97
DATE	REVISION	BY
1-31-97	GENERAL REVISION	I.V.
9-16-97	ADD NOTE	I.V.
STD. DWG.	MB	23 OF 28