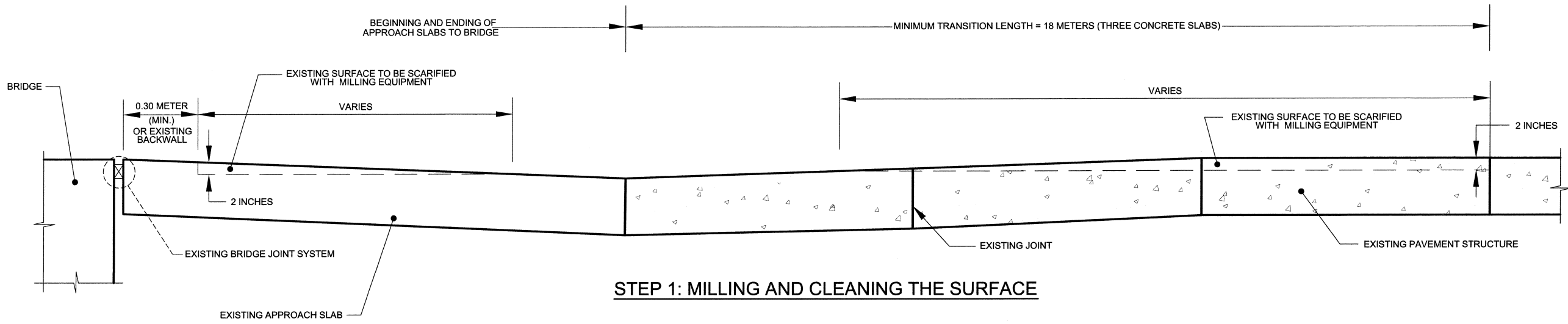
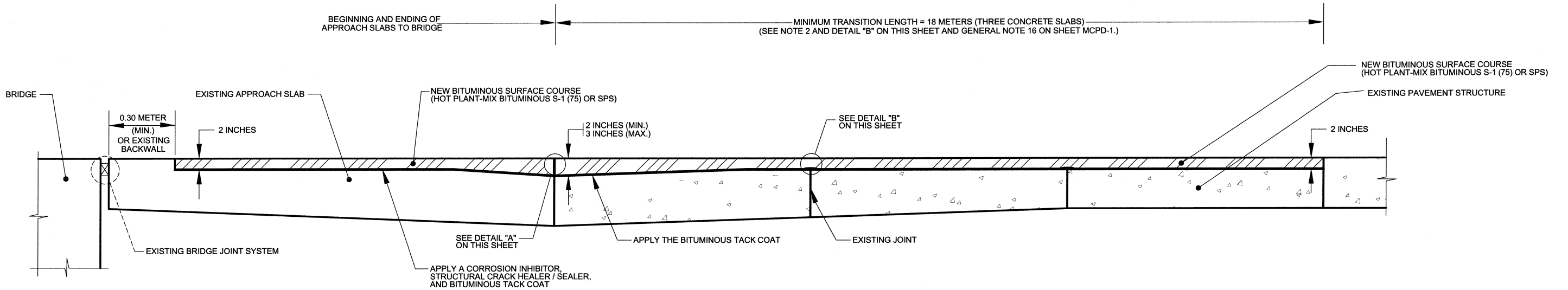


DATE	REVISION	BY
SEP. 09 <td>ORIGINAL <td></td> </td>	ORIGINAL <td></td>	
MAY 10 <td>NOTES</td> <td></td>	NOTES	



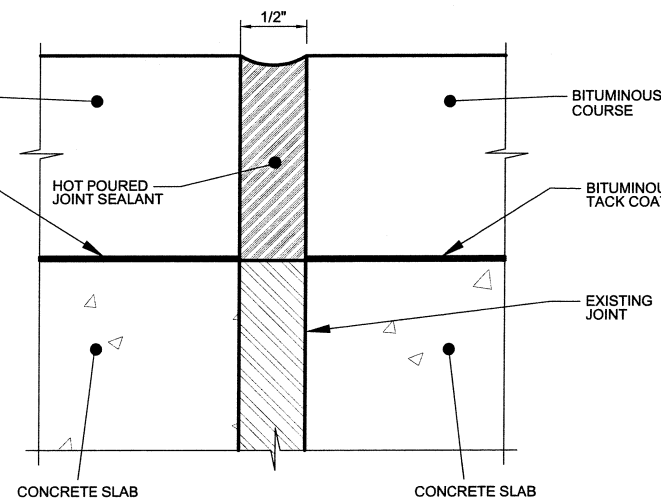
STEP 1: MILLING AND CLEANING THE SURFACE



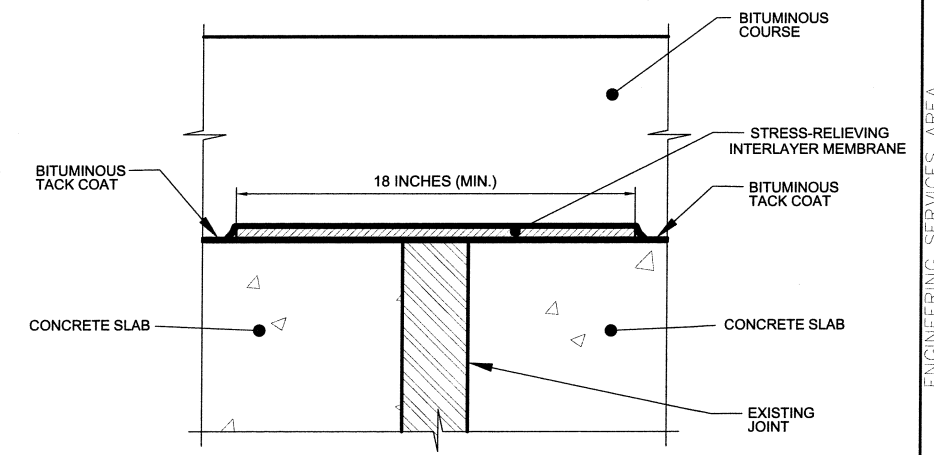
STEP 2: NEW BITUMINOUS COURSE

NOTES:

1. THE GENERAL NOTES, PROCEDURES AND DETAIL FOR TRANSITION TO CONCRETE PAVEMENTS AND STRUCTURES TYPE 10 ARE SHOWN ON SHEET MCPD-1.
2. THE STRESS-RELIEVING INTERLAYER MEMBRANE SHALL BE INSTALLED OVER PAVEMENT CRACKS, AND LONGITUDINAL AND TRANSVERSE JOINTS.



DETAIL "A"



DETAIL "B"



COMMONWEALTH OF PUERTO RICO
 DEPARTMENT OF TRANSPORTATION AND PUBLIC WORKS
 HIGHWAY AND TRANSPORTATION AUTHORITY

STANDARD DRAWING APPROVED BY:

DATE: *30 SEP 10*
 ASSISTANT EXECUTIVE DIRECTOR
 FOR INFRASTRUCTURE

MISCELLANEOUS CONCRETE
 PAVEMENT DETAILS
 DETAILS FOR TRANSITION TO CONCRETE
 PAVEMENTS AND STRUCTURES TYPE 10

MCPD-14

MAY 2010