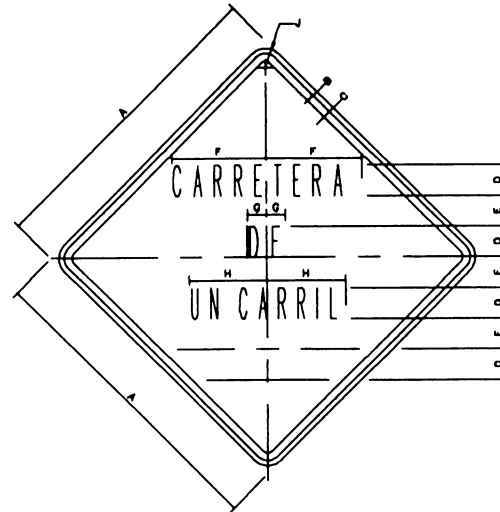


**G20-2**

COLORS  
LEGEND - NON REFLECTORIZED BLACK  
BACKGROUND - REFLECTORIZED ORANGE

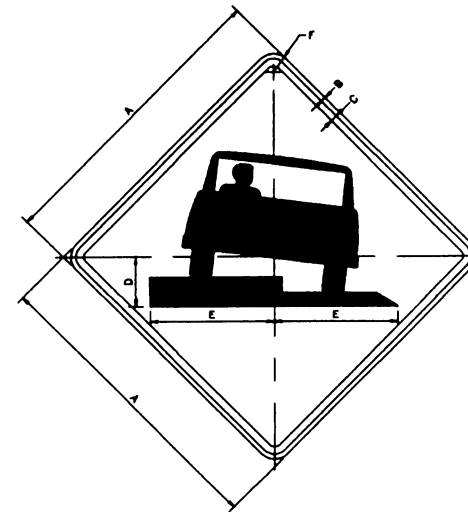
	DIMENSIONS (PULG.)									
	A	B	C	D	E	F	G	H	J	K
MINIMO	40.00	16.00	0.38	0.63	4C	3.00	2.50	9.28	16.54	1.50
NORMAL	50.00	20.00	0.38	0.63	5C	3.00	3.50	11.59	20.66	1.50
ESPECIAL	60.00	24.00	0.38	0.63	6C	4.00	4.00	13.92	24.81	1.50



**W20-4**

COLORS  
LEGEND - NON REFLECTORIZED BLACK  
BACKGROUND - REFLECTORIZED ORANGE

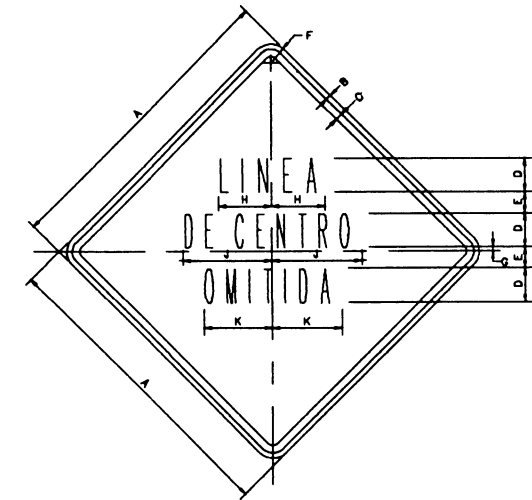
	DIMENSIONS (PULG.)									
	A	B	C	D	E	F	G	H	J	
MINIMO	36.00	0.63	0.88	4C	2.00	15.46	2.52	12.25	2.25	
NORMAL	48.00	0.75	1.25	5C	4.00	15.62	3.14	15.29	3.00	
ESPECIAL	60.00	0.75	1.25	6C	6.00	18.77	7.54	18.36	3.00	



**W8-9A**

COLORS  
LEGEND - NON REFLECTORIZED BLACK  
BACKGROUND - REFLECTORIZED ORANGE

	DIMENSIONS (PULG.)					
	A	B	C	D	E	F
MINIMO	24.00	0.38	0.63	4.00	10.00	1.50
STANDARD	30.00	0.50	0.75	5.00	12.50	1.88
NORMAL	36.00	0.63	0.88	6.00	15.00	2.25
ESPECIAL	48.00	0.75	1.25	8.00	20.00	3.00



**W8-12**

COLORS  
LEGEND - NON REFLECTORIZED BLACK  
BACKGROUND - REFLECTORIZED ORANGE

	DIMENSIONS (PULG.)									
	A	B	C	D	E	F	G	H	J	
MINIMO	36.00	0.00	0.88	5C	5.00	2.25	7.53	15.78	10.77	
NORMAL	48.00	0.75	1.25	6C	6.00	3.00	9.04	18.95	12.94	
ESPECIAL	60.00	0.75	1.25	8C	8.00	3.75	12.05	25.26	17.25	

**WARNING SIGNS USE IN TEMPORARY TRAFFIC CONTROL ZONE**

SPEED LIMIT	W1-4(D)	W1-4(bD)	W1-6	W4-2	W20-1	W20-4	W20-5	W20-7(A)	W21-5	W23-1	W24-1	W25-1	G20-2	R4-7
20	30x30	30x30	36x36	30x30	36x36	36x36	36x36	30x30	24x24	30x30	30x30	30x30	40x16	24x24
25	30x30	30x30	36x36	30x30	36x36	36x36	36x36	30x30	24x24	30x30	30x30	30x30	40x16	24x24
30	36x36	36x36	48x48	36x36	48x48	48x48	48x48	36x36	30x30	36x36	36x36	36x36	50x20	36x36
35	36x36	36x36	48x48	36x36	48x48	48x48	48x48	36x36	30x30	36x36	36x36	36x36	50x20	36x36
40	36x36	36x36	48x48	36x36	48x48	48x48	48x48	36x36	30x30	36x36	36x36	36x36	50x20	36x36
45	48x48	48x48	60x60	48x48	60x60	60x60	60x60	48x48	36x36	48x48	48x48	48x48	60x24	48x48
50	48x48	48x48	60x60	48x48	60x60	60x60	60x60	48x48	36x36	48x48	48x48	48x48	60x24	48x48
55	48x48	48x48	60x60	48x48	60x60	60x60	60x60	48x48	36x36	48x48	48x48	48x48	60x24	48x48

EFFECTIVE DATE: APRIL 1996

COMMONWEALTH OF PUERTO RICO  
DEPARTMENT OF TRANSPORTATION  
AND PUBLIC WORKS  
HIGHWAY AND TRANSPORTATION AUTHORITY

**MAINTENANCE AND PROTECTION OF TRAFFIC**

**WARNING SIGNS**

RECOMMENDED BY: *[Signature]*  
DESIGN AREA DIRECTOR  
DATE: *May 11, 96*

APPROVED BY: *[Signature]*

EXECUTIVE DIRECTOR  
DATE: *[Signature]*

APPROVED BY: *[Signature]*  
DIV. ADM. FHWA-PR DIVISION  
DATE: *5/14/96*

DATE	REVISION	BY

STD. MPT  
DWG. 21 OF 22