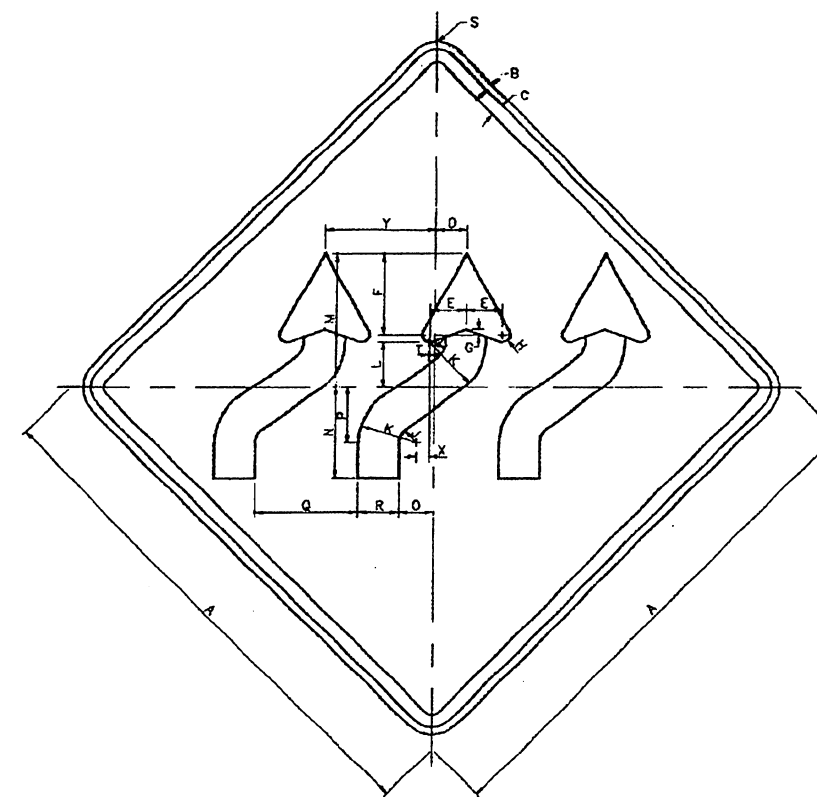


W1-4bD

CODE
 LEGEND - NON-REFLECTORIZED BLACK
 BACKGROUND - REFLECTORIZED ORANGE

SIGN	TWO ARROWS SIGN DIMENSION (INCHES)																		
	A	B	C	D	E	F	G	H	J	K	L	M	N	P	Q	R	S	T	X
30"	30	1/2	3/4	2.170	2.750	3.901	0.365	0.473	1.031	3.437	2.406	7.734	5.672	3.609	5.414	2.406	1-7/8	0.078	5.241
36"	36	5/8	7/8	2.603	3.300	4.877	0.438	0.567	1.238	4.125	2.888	9.281	6.806	4.331	6.497	2.887	2-1/4	0.094	6.291
48"	48	3/4	1-1/4	3.471	4.400	7.800	0.584	0.756	1.650	5.500	3.850	12.375	9.075	5.775	8.662	3.850	3	0.125	8.389



W1-4cD

CODE
 LEGEND - NON-REFLECTORIZED BLACK
 BACKGROUND - REFLECTORIZED ORANGE

SIGN	THREE ARROWS SIGN DIMENSION (INCHES)																			
	A	B	C	D	E	F	G	H	J	K	L	M	N	P	Q	R	S	T	X	Y
30"	30	1/2	3/4	8.121	2.762	6.207	.465	.6016	1.312	4.375	3.0625	9.843	7.219	4.593	7.656	3.062	1-7/8	0.078	0.984	3.062
36"	36	5/8	7/8	9.745	3.314	7.448	.558	7.218	1.575	5.25	3.675	11.812	8.662	5.512	9.188	3.675	2-1/4	0.094	1.181	3.675
48"	48	3/4	1-1/4	12.994	4.419	9.931	.744	.962	2.100	7.000	4.9	15.75	11.55	7.35	12.25	4.9	3	0.125	1.575	4.9

EFFECTIVE DATE: NOVEMBER 1996

COMMONWEALTH OF PUERTO RICO
 DEPARTMENT OF TRANSPORTATION
 AND PUBLIC WORKS
 HIGHWAY AND TRANSPORTATION AUTHORITY

**MAINTENANCE AND PROTECTION OF TRAFFIC
 WARNING SIGNS**

RECOMMENDED BY: <i>[Signature]</i> DESIGN AREA DIRECTOR DATE: 11/13/96 APPROVED BY: <i>[Signature]</i> EXECUTIVE DIRECTOR DATE: 11/13/96 APPROVED BY: <i>[Signature]</i> DIV. CHM. FHWA-PR DIVISION DATE: 11/13/96	DATE: 11-1-88 REVISION: TITLE & COLOR LEGEND BY: I.V. STD. MPT DWG. 22 OF 22
--	--