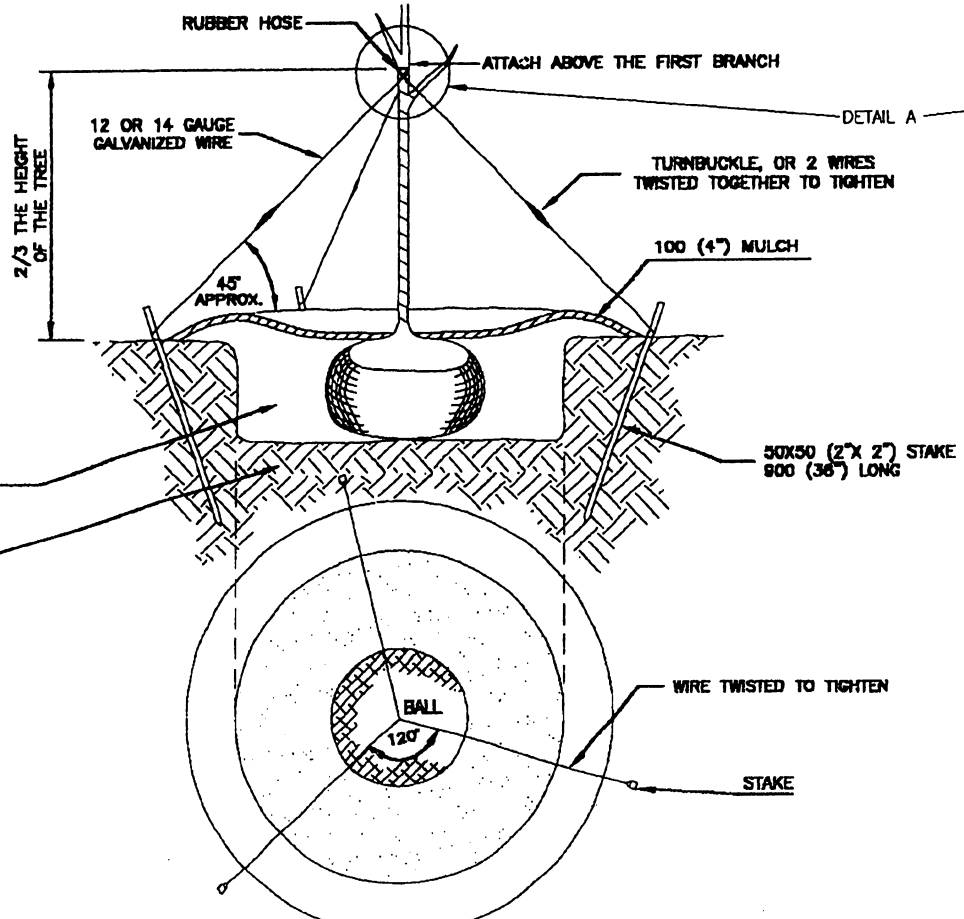


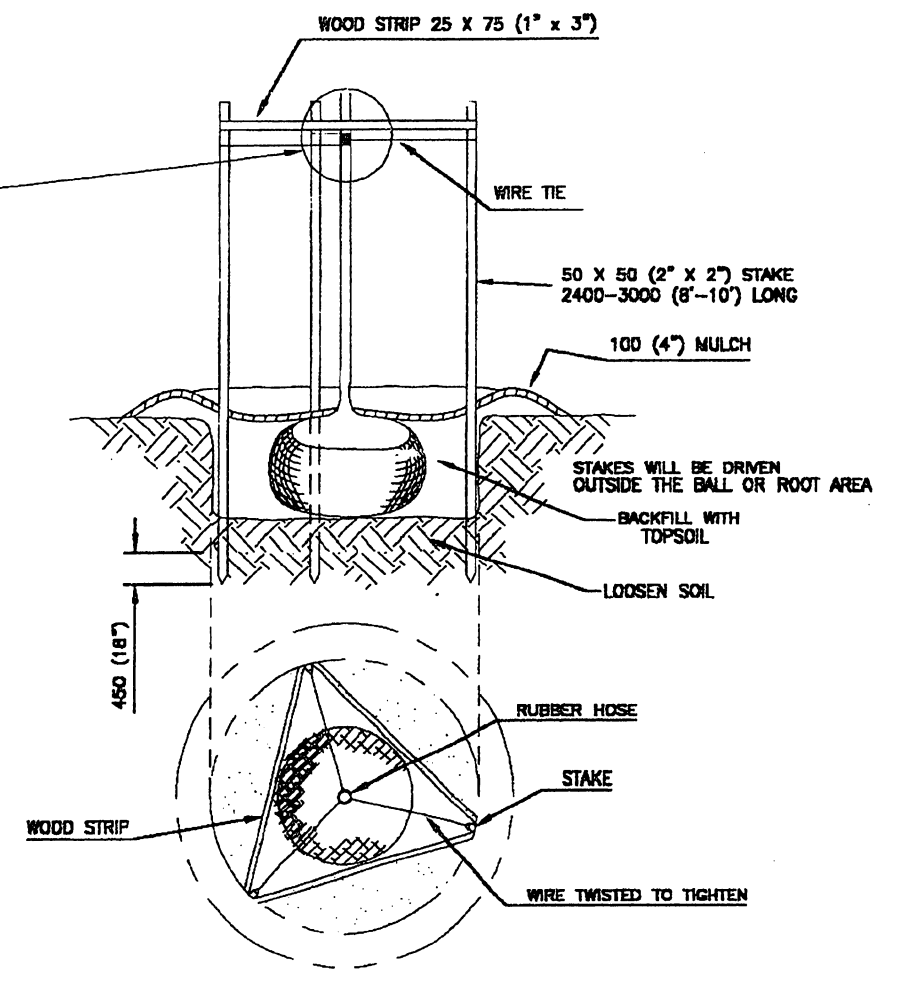
DOUBLE STAKING & STAKE PLACEMENT

DECIDUOUS TREES TO 50 (2") CALIPER AND EVERGREEN TREES TO 2400 (8') IN HEIGHT.



TRIPLE-GUYING & WRAPPING

DECIDUOUS TREES OVER 50 (2") CALIPER OR EVERGREEN TREES OVER 2400 (8') IN HEIGHT



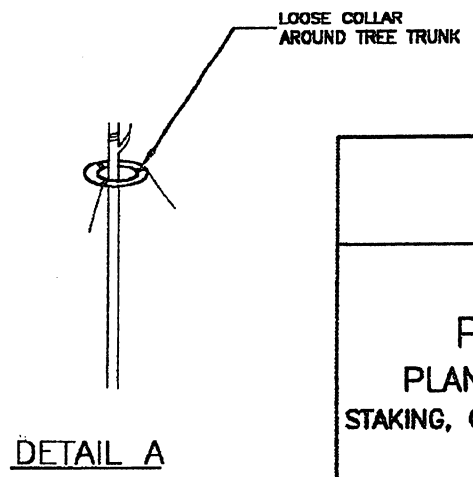
STAKING FOR SPECIAL CONDITIONS

NOTES:

- 1-MULTIPLE STEMMED DECIDUOUS TREES OVER 4 FT. IN HEIGHT SHALL BE STAKED WITH 2 STAKES IN SUCH A MANNER AS TO STABILIZE 2 MAINSTEMS.
- 2-THE WOOD STAKES SHALL BE CONSTRUCTION GRADE, ROUGH OR DRESSED, OF SOUND WOOD, DECAY RESISTANT, AND OF THE SIZE INDICATED IN THIS DRAWING.
- 3-THE WIRE TIES SHALL BE 12 OR 14 GAUGE GALVANIZED WIRE, AND BE PROVIDED WITH A ONE FOOT PIECE OF RUBBER HOSE PLACED TO PREVENT INJURY TO THE BARK.
- 4-TREE WRAPPING SHALL BE PLACED AROUND ALL TRUNKS OF DECIDUOUS TREES TWO OR MORE INCHES IN CALIPER. TREE WRAPPING SHALL EXTEND FROM GROUND LINE TO 50 (2") ABOVE THE FIRST BRANCH. EACH TURN OF WRAPPING MATERIAL SHALL OVERLAP 1/2 THE WIDTH OF PREVIOUS TURN BIND WITH JUTE TWINE AT TOP, MIDDLE AND BOTTOM.

GENERAL NOTES

- 1- THE DIAMETER OF ALL PLANT PITS SHALL BE AT LEAST 2 OR 3 TIMES GREATER THAN THE BALL DIAMETER. FOR BARE ROOT PLANTS, SEE STANDARD SPECIFICATION 626-3.05. LOCATE THE ROOT BALL ON SOLID SOIL AND NOT LOOSE BACKFILL.
- 2- THE PIT DEPTHS SHALL COMPLY WITH THE REQUIREMENT OF THE STANDARD SPECIFICATION 626-PLANTING.
- 3- MULCH SHALL BE APPLIED AROUND ALL PLANT TO A MINIMUM DEPTH OF 100 MM (4") OVER ENTIRE PLANT PIT. AGED SHREDDED HARDWOOD BARK, LICORICE ROOT OR AGED WOOD CHIPS CAN BE USED. ANY MULCH CONTAINING PRESERVATIVES IS UNACCEPTABLE.
- 4- BACKFILL WITH NATIVE SOIL UNLESS CONSIDERED UNSUITABLE. IN THAT CASE FILL PIT WITH GOOD QUALITY TOPSOIL.
- 5- THE ENTIRE AREA OF THE PLANTING PITS SHALL BE GRADED SO THAT THE MAXIMUM SLOPE DOES NOT EXCEED 10:1 IN ANY DIRECTION.
- 6- TREES SHALL NOT BE PLANTED WITHIN THE CLEAR ZONE.
- 7- BACKFILL, TOP SOIL, CABLE OR WIRE TIES, RUBBER HOSES, STAKES AND PITS WILL BE CONSIDERED A SUBSIDIARY OBLIGATION.
- 8- THE CONTRACT UNIT PRICE FOR EACH OF THE PARTICULAR PAY ITEMS COVERED UNDER THE STANDARD SPECIFICATION 626-PLANTING WILL CONSTITUTE FULL COMPENSATION FOR INCIDENTALS NECESSARY TO COMPLETE THIS WORK.
- 9- ALL DIMENSIONS SHOWN ARE IN MILLIMETERS UNLESS OTHERWISE SPECIFIED.



DETAIL A

EFFECTIVE DATE: JANUARY 2000

COMMONWEALTH OF PUERTO RICO DEPARTMENT OF TRANSPORTATION AND PUBLIC WORKS HIGHWAY AND TRANSPORTATION AUTHORITY			
PLANTING PLANTING DETAILS STAKING, GUYING AND WRAPPING		RECOMMENDED BY: PLANIFICATION AREA DIRECTOR DATE: 12-10-99	APPROVED BY: EXECUTIVE DIRECTOR DATE: 12-21-99
		APPROVED BY: Eddie Duran DIV. ADM. FHWA-PR DIVISION DATE: 12-20-99	
DATE	REVISION	BY	PL 6 OF 10