

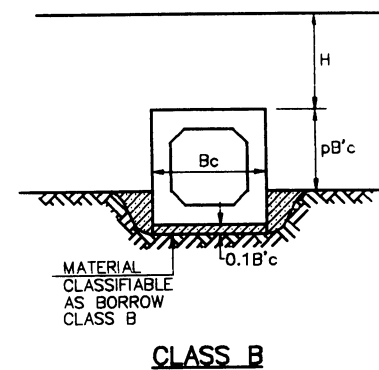
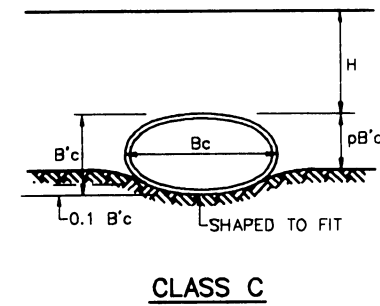
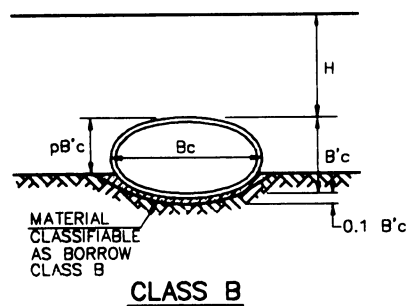
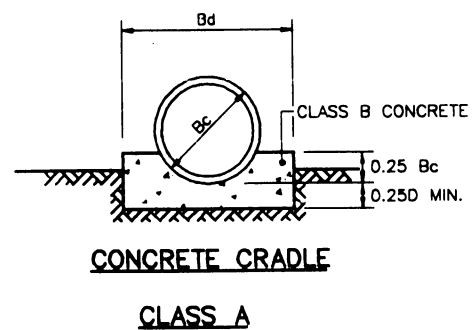
CIRCULAR PIPE

ELLIPTICAL AND ARCH PIPE

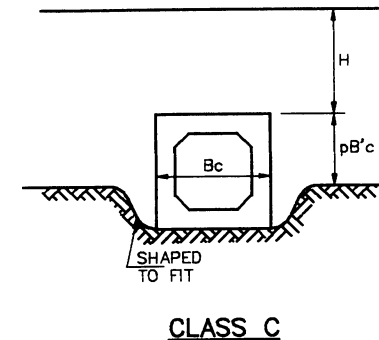
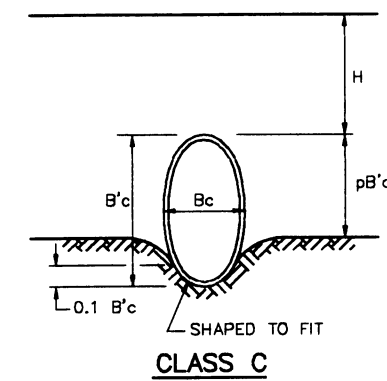
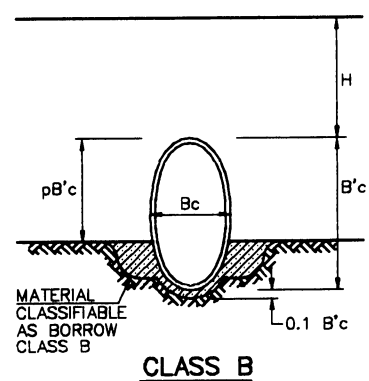
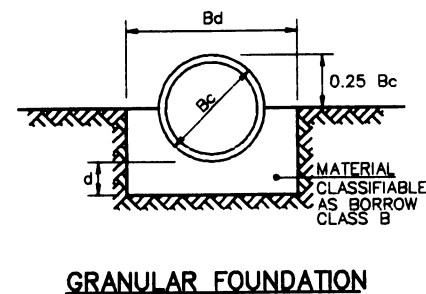
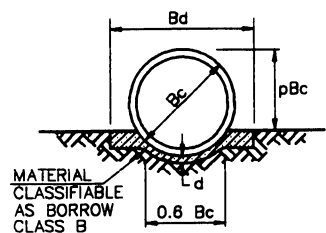
PRECAST CONCRETE BOX SECTIONS

NOTES:

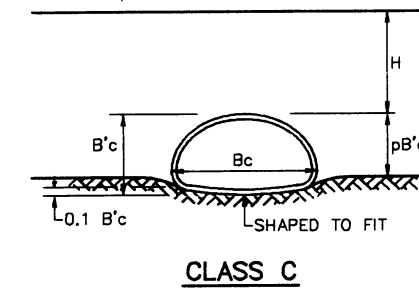
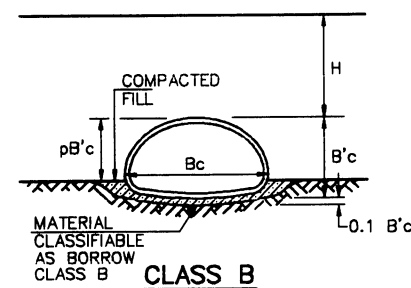
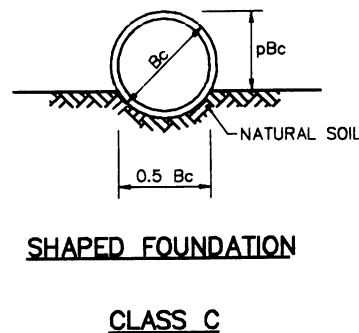
FOR CLASS B AND C BEDDINGS, SUBGRADES SHALL BE EXCAVATED, IF NECESSARY, SO A UNIFORM FOUNDATION FREE OF PROTRUDING ROCKS WILL BE PROVIDED. SPECIAL CARE MAY BE NECESSARY WITH CLASS A OR OTHER UNYIELDING FOUNDATIONS TO CUSHION PIPE FROM SHOCK WHEN BLASTING CAN BE ANTICIPATED IN THE AREA.



HORIZONTAL ELLIPTICAL PIPE



VERTICAL ELLIPTICAL PIPE



ARCH PIPE

LEGEND:

- Bc - OUTSIDE DIAMETER OR OUTSIDE HORIZONTAL SPAN OF THE PIPE
- B'c - OUTSIDE VERTICAL HEIGHT OF THE PIPE
- H - HEIGHT OF FILL ABOVE TOP OF PIPE
- D - INSIDE DIAMETER OF PIPE
- d - DEPTH OF BEDDING MATERIAL BELOW PIPE
- p - PROJECTION RATIO
- Bd - MAXIMUM TRENCH WIDTH = Bc + 0.90 M.
- pB'c - VERTICAL DISTANCE BETWEEN TOP THE PIPE AND NATURAL GROUND SURFACE FOR ELLIPTICAL AND ARC PIPES.
- pBc - VERTICAL DISTANCE BETWEEN TOP OF THE CIRCULAR PIPE AND NATURAL GROUND SURFACE.

DEPTH OF BEDDING MATERIAL BELOW PIPE	
D	d (MIN.)
27" & SMALLER	0.075m.
30" TO 60"	0.10m.
66" & LARGER	0.15m.

EFFECTIVE DATE: APRIL 1996

COMMONWEALTH OF PUERTO RICO
DEPARTMENT OF TRANSPORTATION AND PUBLIC WORKS
HIGHWAY AND TRANSPORTATION AUTHORITY

**REINFORCED CONCRETE PIPE INSTALLATION METHODS
EMBANKMENT BEDDINGS**

DATE	REVISION	BY	
30/10/95	NOTE WAS DELETED		

RECOMMENDED BY: <i>[Signature]</i> DESIGN AREA DIRECTOR DATE: <i>10/11/96</i>	APPROVED BY: <i>[Signature]</i> EXECUTIVE DIRECTOR DATE: <i>5/8/96</i>
APPROVED BY: <i>[Signature]</i> DIV. ADM. FWA-PR DIVISION DATE: <i>5/8/96</i>	

STD.	RCP
DWG.	2 OF 4