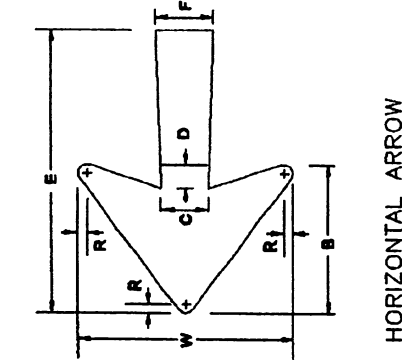
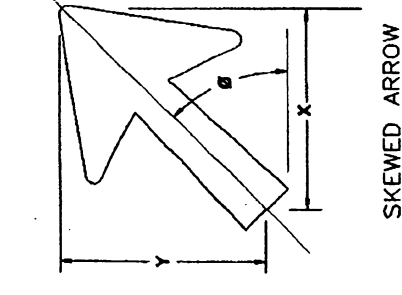


UP ARROW



HORIZONTAL ARROW



SKEWED ARROW

LETTER SIZE	DIMENSIONS (INCHES)				
	B	C	D	E	F
4"	4.59	1.49	0.52	6.00	1.65
6"	6.88	2.23	0.78	9.00	2.47
8"	9.17	2.98	1.04	12.00	3.30

LETTER SIZE	ANGLE θ	DIMENSIONS (INCHES)	
		X	Y
4"	30°	5.20	3.00
	45°	4.24	4.24
	60°	3.00	5.20
6"	30°	7.79	4.50
	45°	6.36	6.36
	60°	4.50	7.79
8"	30°	10.39	6.00
	45°	8.49	8.49
	60°	6.00	10.39

SINGLE LINE MESSAGE ARROW

LETTER SIZE	DIMENSIONS (INCHES)				
	W	B	C	D	E
4"	8.00	6.12	1.98	0.69	10.00
6"	12.00	9.17	2.98	1.04	15.00
8"	16.00	12.23	3.97	1.39	20.00

LETTER SIZE	ANGLE θ	DIMENSIONS (INCHES)	
		X	Y
4"	30°	8.66	5.00
	45°	7.07	7.07
	60°	5.00	8.66
6"	30°	12.99	7.50
	45°	10.61	10.61
	60°	7.50	12.99
8"	30°	17.32	10.00
	45°	14.14	14.14
	60°	10.00	17.32

DOUBLE LINE MESSAGE ARROW (DLMA)

EFFECTIVE DATE: JULY 2000

COMMONWEALTH OF PUERTO RICO
 DEPARTMENT OF TRANSPORTATION
 AND PUBLIC WORKS
 HIGHWAY AND TRANSPORTATION AUTHORITY

RECOMMENDED BY: *[Signature]*
 DEPUTY EXEC. DIR. FOR TRAFFIC AND TOLL ROADS
 DATE: *7/1/00*

APPROVED BY: *[Signature]*
 EXECUTIVE DIRECTOR
 DATE: *MAY-19-00*

DESTINATION SIGNS
 PANELS
 ARROWS FOR GUIDE SIGNS

DATE	REVISION	BY

STD. DSP
 DWG. 1 OF 10