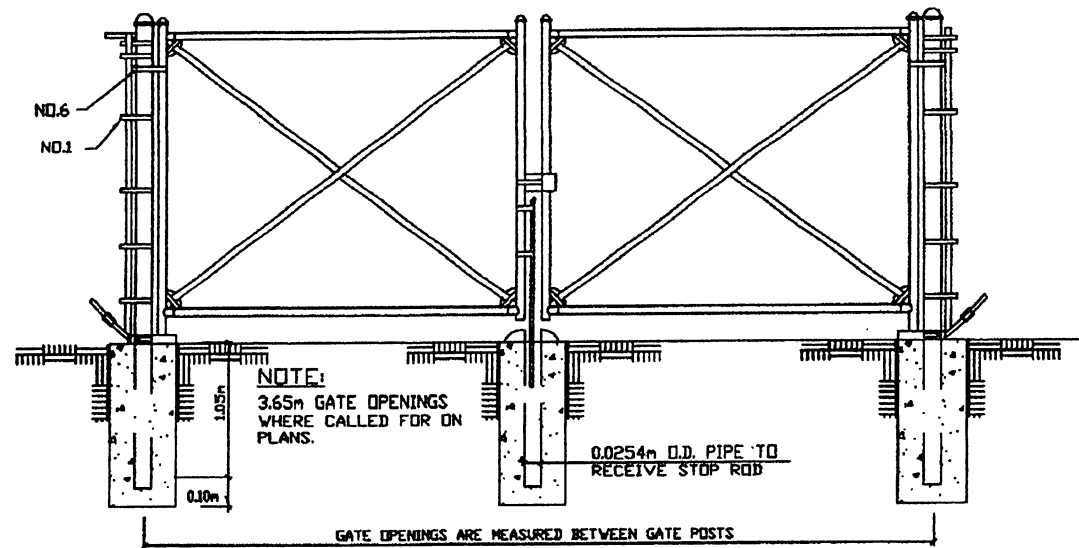
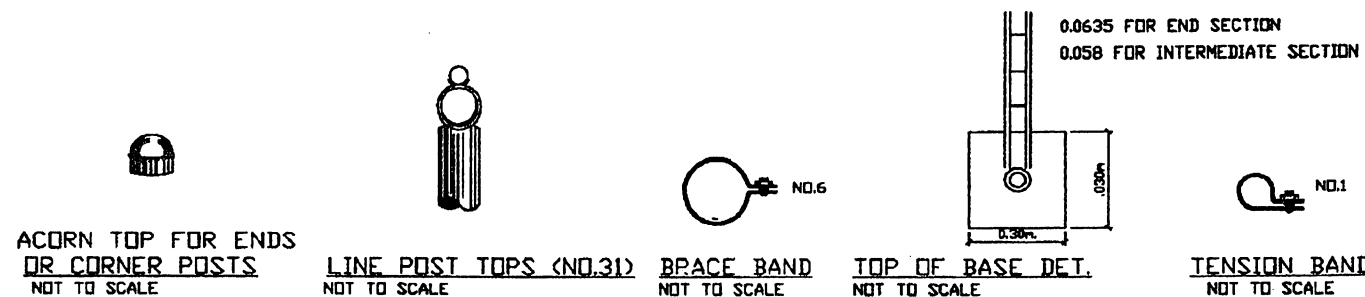


TYPICAL INSTALLATION



GATE SECTION NOT TO SCALE



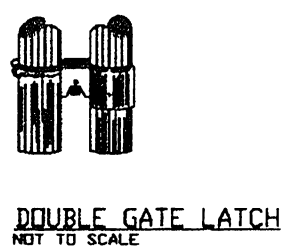
ACORN TOP FOR ENDS OR CORNER POSTS NOT TO SCALE

LINE POST TOPS (NO.3) NOT TO SCALE

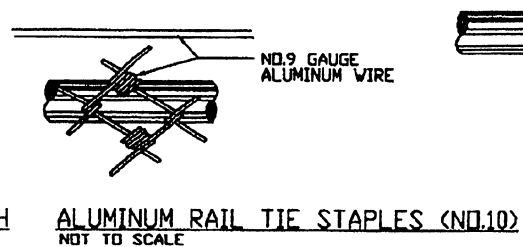
BRACE BAND NOT TO SCALE

TOP OF BASE DET. NOT TO SCALE

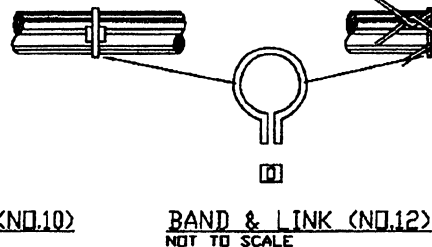
TENSION BAND NOT TO SCALE



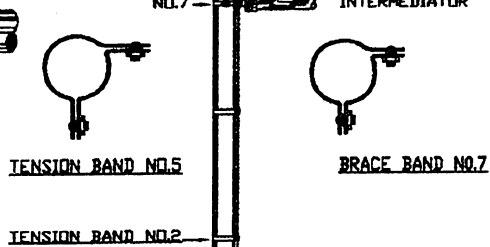
DOUBLE GATE LATCH NOT TO SCALE



ALUMINUM RAIL TIE STAPLES (NO.10) NOT TO SCALE



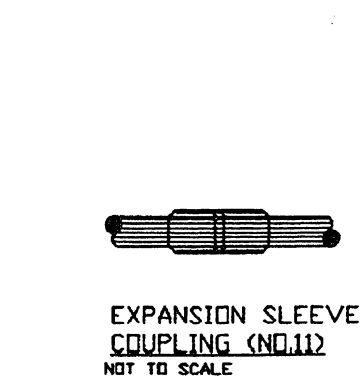
BAND & LINK (NO.12) NOT TO SCALE



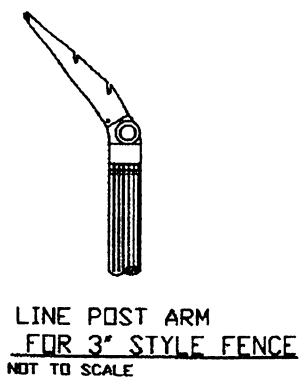
TENSION BAND NO.5

TENSION BAND NO.2

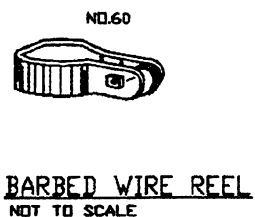
BRACE BAND NO.7



EXPANSION SLEEVE COUPLING (NO.11) NOT TO SCALE

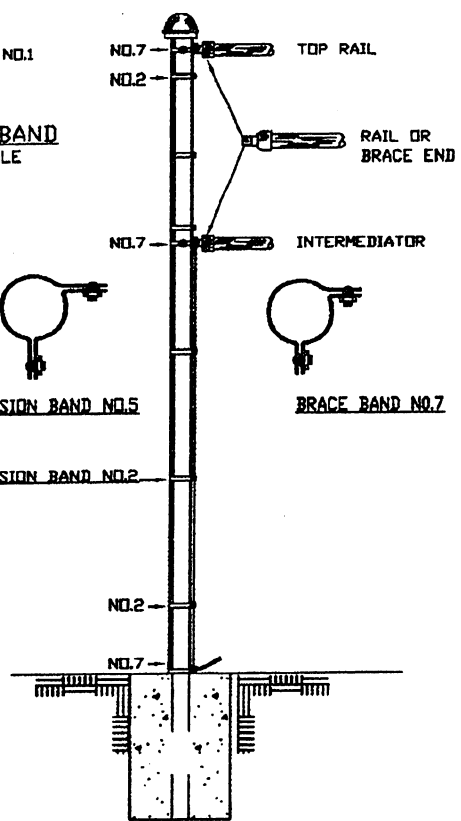


LINE POST ARM FOR 3" STYLE FENCE NOT TO SCALE

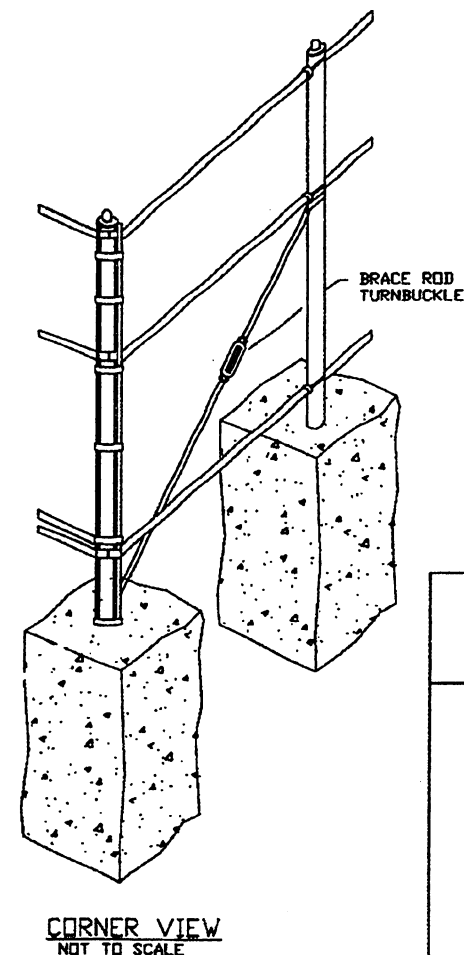


BARBED WIRE REEL NOT TO SCALE

FENCE ACCESSORIES DETAILS



CORNER POST DETAILS FOR STYLE 'D' FENCE NOT TO SCALE



CORNER VIEW NOT TO SCALE

EFFECTIVE DATE: OCTOBER 1997

COMMONWEALTH OF PUERTO RICO DEPARTMENT OF TRANSPORTATION AND PUBLIC WORKS HIGHWAY AND TRANSPORTATION AUTHORITY		
RECOMMENDED BY: <i>[Signature]</i> DESIGN AREA DIRECTOR DATE: 7-15-97		
APPROVED BY: <i>[Signature]</i> EXECUTIVE DIRECTOR DATE: 8-20-97		
APPROVED BY: <i>[Signature]</i> DIV. ADM. FHWA-PR DIVISION DATE: 9-25-97		
DATE	REVISION	BY
STD. DWG.	FEGA	3 OF 4