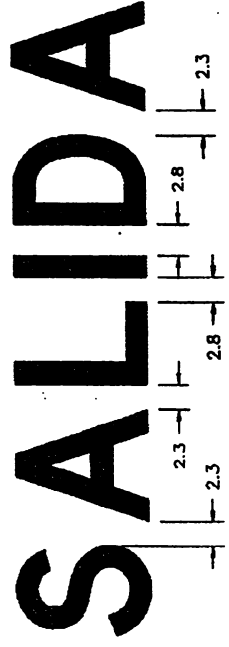


ARROW CENTER LINE

**E5-1**

COLORS  
LEGEND - WHITE (REFL.)  
BACKGROUND - GREEN (REFL.)



SPACING BETWEEN LETTERS

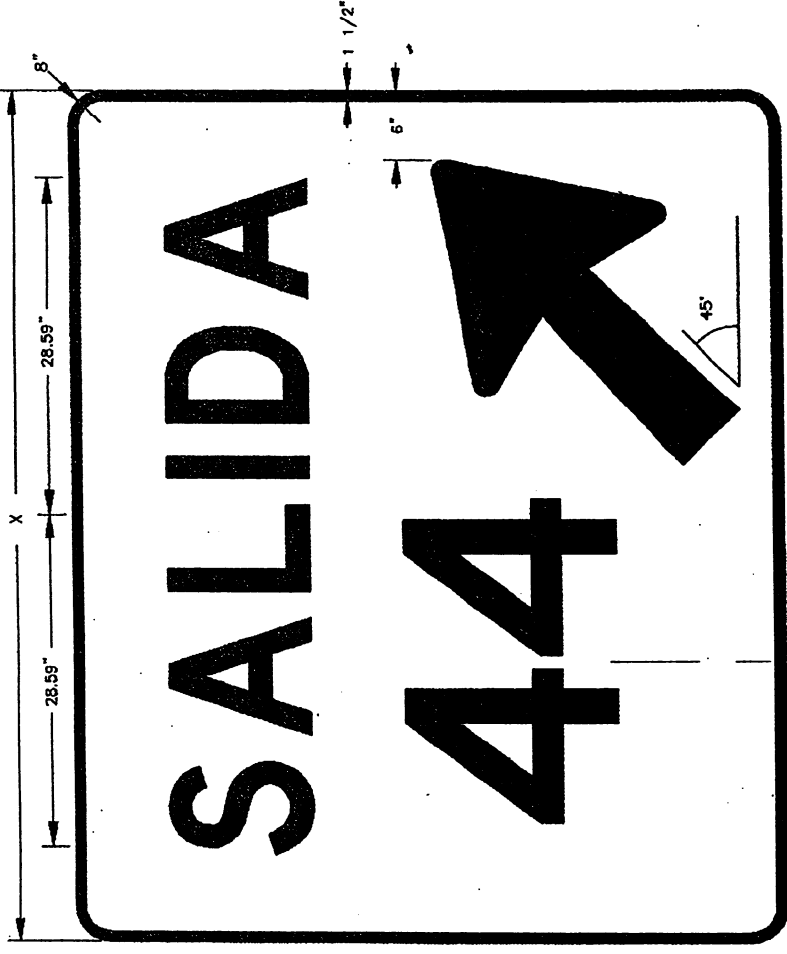
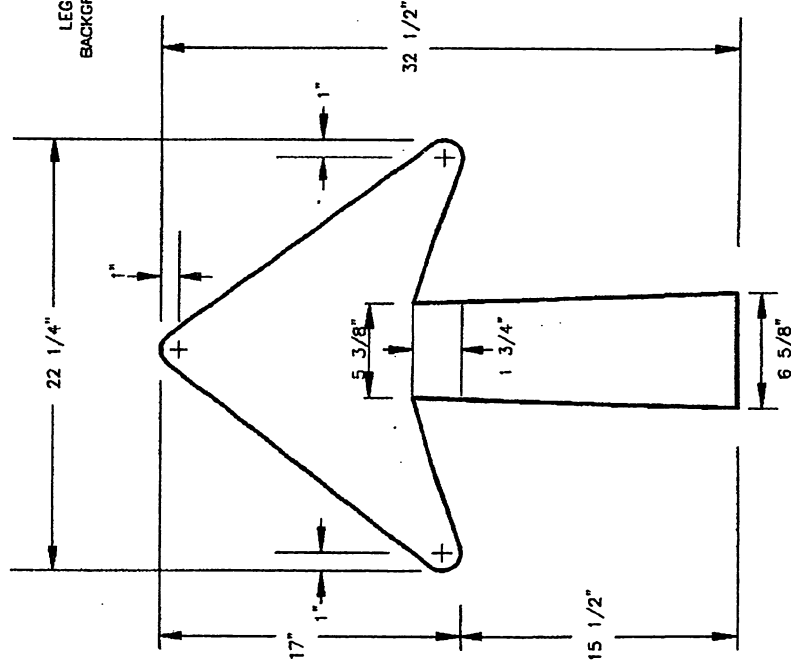
GENERAL NOTES:

- 1- LETTERS AND NUMBERS SHALL CONFORM TO FHWA STANDARD ALPHABETS. LETTER SPACING SHALL BE AS INDICATED HEREIN.
- 2- NUMBERED EXIT SIGNS (E5-1A) DIGITS INCLUDES NUMERALS AND LETTERS.
- 3- ON E5-1A, THE NUMBERS AND LETTER OF THE EXIT DESIGNATION SHALL BE AS INDICATED IN THE CONSTRUCTION PLANS.
- 4- ON E5-1, THE ARROW SHALL BE CENTERED HORIZONTALLY IN THE SIGN.
- 5- ALL OTHER REQUIREMENTS FOR THE CONSTRUCTION AND INSTALLATION OF THE GORE SIGN, SHALL COMPLY WITH THE GROUND MOUNTED BREAK-AWAY SIGNS STANDARD DRAWINGS.

ALTERNATE POSTS FOR SIGN E5-1A

NUMBER OF DIGITS IN EXIT NUMBER	SIGN WIDTH (X)	SIZE AND NUMBER OF POST SUPPORTS	ALTERNATE SIZE AND NUMBER OF POST SUPPORTS	WIND BEAMS
4 DIGITS	108 INCHES	2 POSTS W 6 X 12		3-24 X 2.85
3 DIGITS	90 INCHES	2 POSTS S 5 X 10	1 POST W 6 X 12	3-24 X 2.85
1 AND 2 DIGITS	72 INCHES	2 POSTS S 4 X 7.7	1 POST W 6 X 12	3-24 X 2.85
NONE	72 INCHES	2 POSTS S 4 X 7.7	1 POST W 6 X 12	3-24 X 2.85

ARROW DETAIL



CENTER LINE FOR NUMBERS

**E5-1A**

COLORS  
LEGEND - WHITE (REFL.)  
BACKGROUND - GREEN (REFL.)

COMMONWEALTH OF PUERTO RICO  
DEPARTMENT OF TRANSPORTATION  
AND PUBLIC WORKS  
HIGHWAY AND TRANSPORTATION AUTHORITY

RECOMMENDED BY:  
*ROY A. Velez*  
DEPUTY EXEC. DIR. FOR  
TRAFFIC AND TOLL ROADS  
DATE: *JAN 11, 2000*

APPROVED BY:  
*[Signature]*  
EXECUTIVE DIRECTOR  
DATE: *1-11-00*

APPROVED BY:  
*[Signature]*  
SECRETARY  
DATE: *1-11-00*

GROUND MOUNTED  
BREAK-AWAY SIGNS  
GORE SIGN

DATE	REVISION	BY	STD.	GMTS
5-1989	GENERAL REVISION	LV.		
12-1989	GENERAL REVISION	LV.		
05-2000	GENERAL REVISION	LV.		

12 OF 15