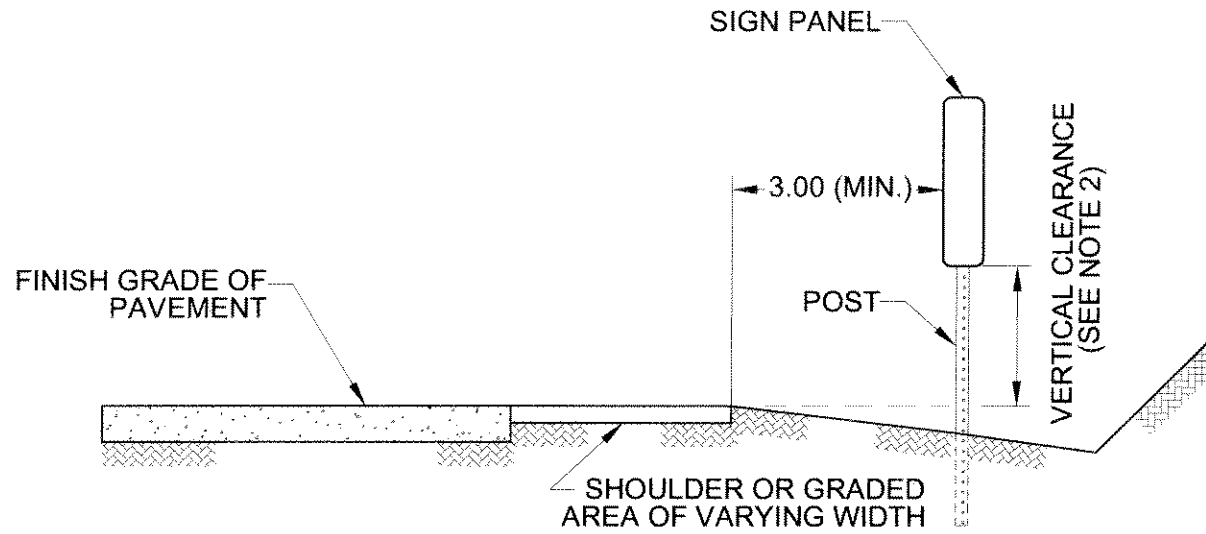
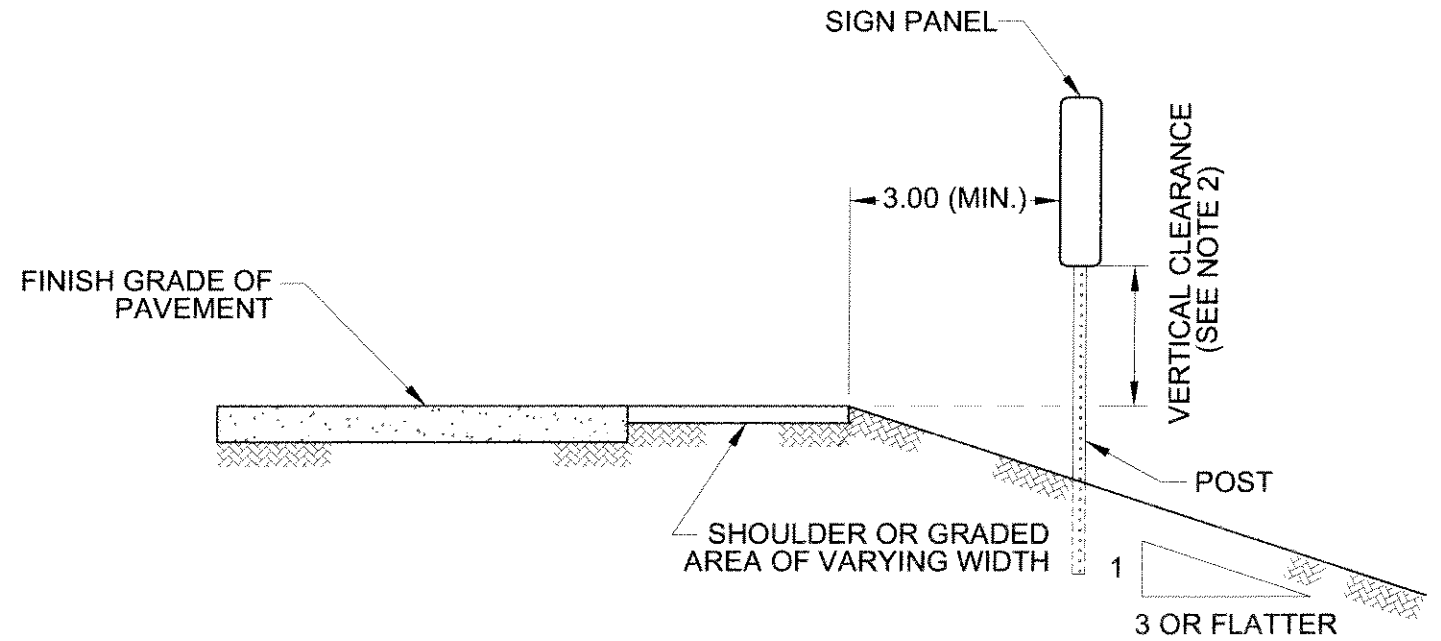


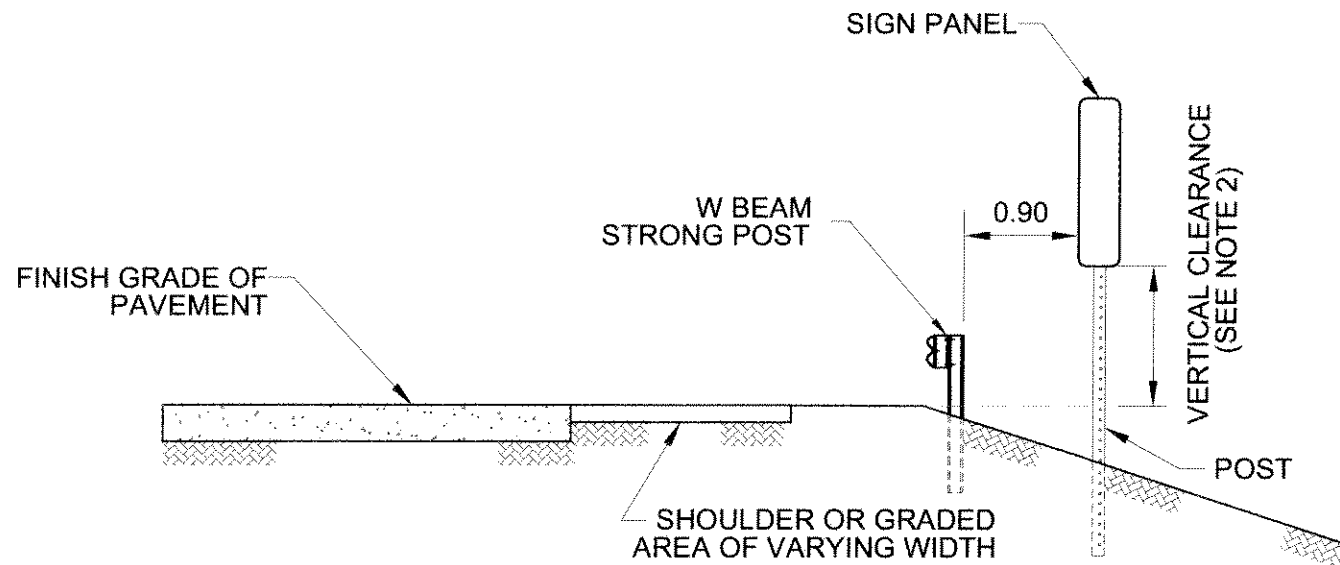
DATE	REVISION	BY
AUG. 99	ORIGINAL	
JUL. 09	PAGE RENUMBERING AND SUBTITLE CHANGED	



CUT SECTIONS



EMBANKMENTS WITH SLOPES 3:1 OR FLATTER



SECTION WITH GUARD RAIL

NOTES:

1. FOR SECTION WITH GUARD RAIL, THE OFFSET APPLIES TO THE BORDER OF SIGN PANEL.
2. VERTICAL CLEARANCE TO BOTTOM OF THE SIGN PANEL SHALL BE AS INDICATED IN THE GENERAL NOTE 3 OF SHEET RLS-01.



COMMONWEALTH OF PUERTO RICO
DEPARTMENT OF TRANSPORTATION AND PUBLIC WORKS
HIGHWAY AND TRANSPORTATION AUTHORITY

STANDARD DRAWING APPROVED BY:

DATE: *[Signature]* ASSISTANT EXECUTIVE DIRECTOR FOR INFRASTRUCTURE
DATE: *[Signature]* ASSISTANT EXECUTIVE DIRECTOR FOR TRAFFIC AND TOLL ROADS

REFERENCE LOCATION SIGN

OFFSET DRAWINGS
MOUNTING ON GRASS AREA

RLS-09

JANUARY 2010