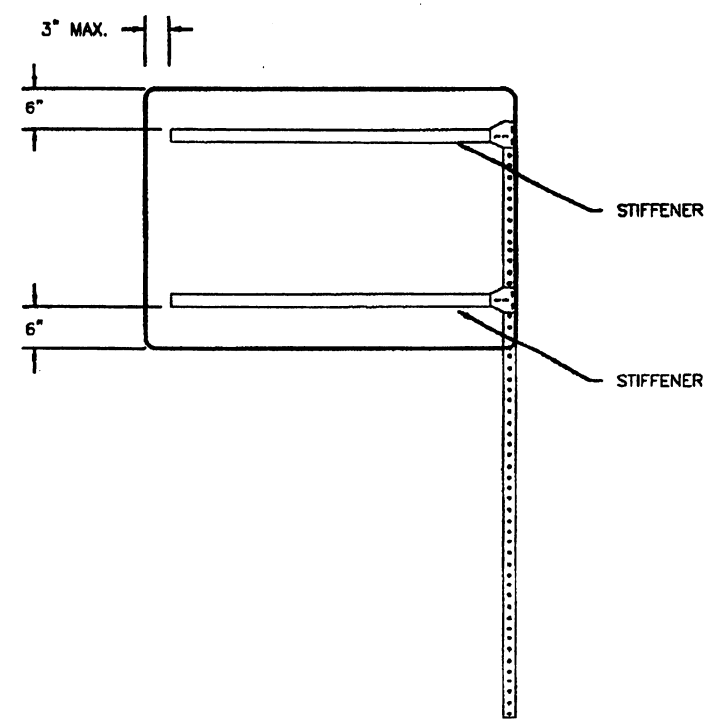


TYPICAL POST LOCATION FOR H SUPPORT MOUNTING



TYPICAL POST LOCATION FOR CANTILEVER SUPPORT MOUNTING

**GENERAL NOTES:**

1. TO DETERMINE THE APPLICATION FOR CANTILEVER OR SUPPORT MOUNTING SEE MOUNTING ON SIDEWALK AREAS WITH OR WITHOUT PLANTING STRIP STANDARD DRAWINGS.

<b>EFFECTIVE DATE: DECEMBER 1999</b>			
COMMONWEALTH OF PUERTO RICO DEPARTMENT OF TRANSPORTATION AND PUBLIC WORKS HIGHWAY AND TRANSPORTATION AUTHORITY			
<b>SMALL TRAFFIC SIGNS STEEL FLANGED CHANNEL AND SQUARE STEEL POST</b> TYPICAL POST LOCATION FOR MOUNTING ON SIDEWALK AREAS WITH OR WITHOUT PLANTING STRIP		RECOMMENDED BY: <i>[Signature]</i> DEPUTY EXC. DIR. FOR TRAFFIC AND TOLL ROADS DATE: 2-1-99	
		APPROVED BY: <i>[Signature]</i> EXECUTIVE DIRECTOR DATE: 3-27-99	
		APPROVED BY: <i>[Signature]</i> DIV. ADM. FHWA-PR DIVISION DATE: 11-8-99	
DATE	REVISION	BY	STD. STS DWG. 12A OF 25