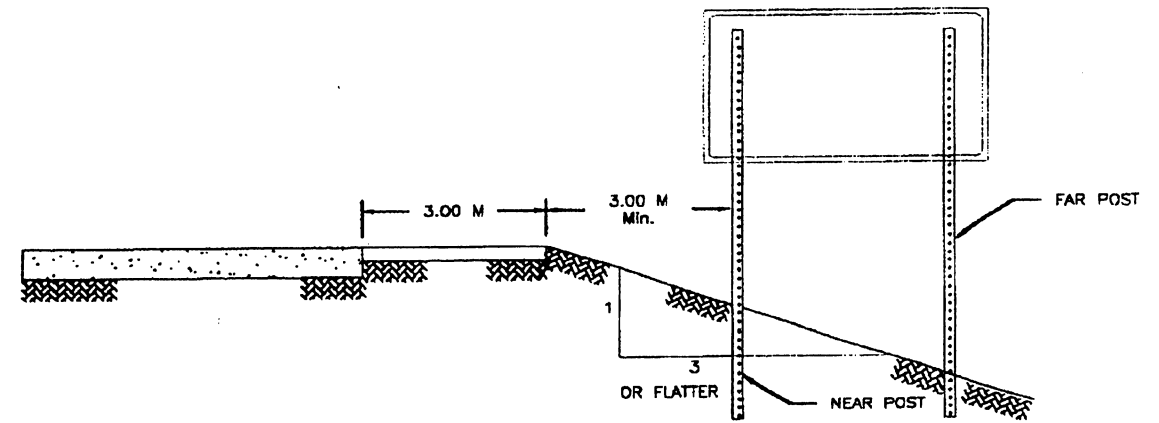
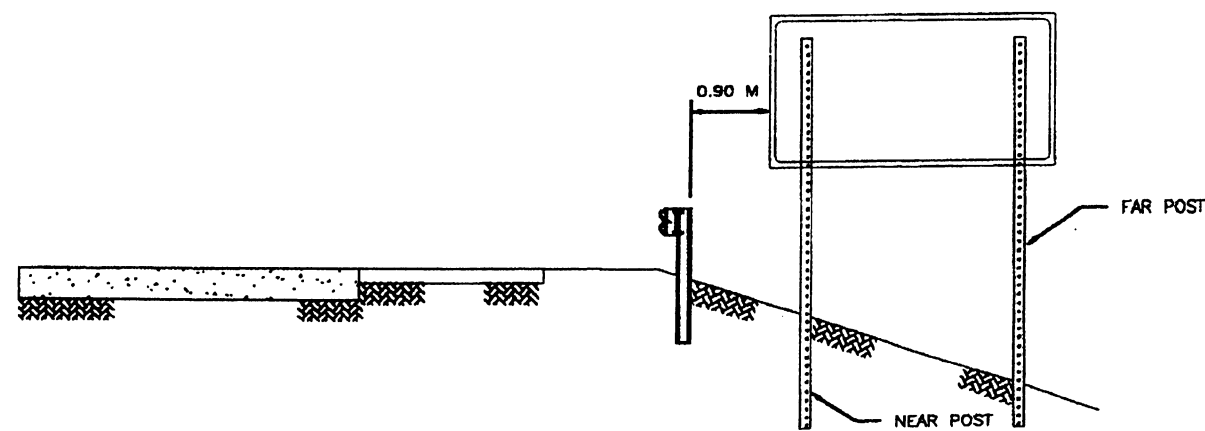


CUT SECTIONS



EMBANKMENTS WITH SLOPES 3:1 OR FLATTER



SECTION WITH GUARD RAIL

GENERAL NOTES:

1. FOR ORIENTATION OF SIGNS SEE ORIENTATION DETAILS.
2. OFFSET APPLIES TO NEAR POST OR TO SINGLE POST WHEN SIGN HAS ONLY ONE POST. FOR SECTION WITH GUARD RAIL, THE OFFSET APPLIES TO THE BORDER OF SIGN PANEL.
3. POST SHOWN ARE FOR ILLUSTRATIVE PURPOSE ONLY. NUMBER OF POSTS SHALL BE AS SHOWN ON "RURAL MOUNTING OR MOUNTING ON GRASS AREA" STANDARD DRAWING.

EFFECTIVE DATE: DECEMBER 1999		
COMMONWEALTH OF PUERTO RICO DEPARTMENT OF TRANSPORTATION AND PUBLIC WORKS HIGHWAY AND TRANSPORTATION AUTHORITY		
SMALL TRAFFIC SIGNS OFFSET DRAWINGS HIGHWAYS WITH INTERMEDIATE CLEAR ZONE		RECOMMENDED BY: DEPUTY EXC. DIR. FOR TRAFFIC AND TOLL ROADS DATE: 8-5-99
		APPROVED BY: EXECUTIVE DIRECTOR DATE: 11-2-99
		APPROVED BY: DIV. ADM. FHWA-PR DIVISION DATE: 11-2-99
DATE	REVISION	BY
04-1999	NOTES REVISION	L.V.
10-1999	GENERAL REVISION	L.V.
STD. DWG.	STS 15 OF 25	