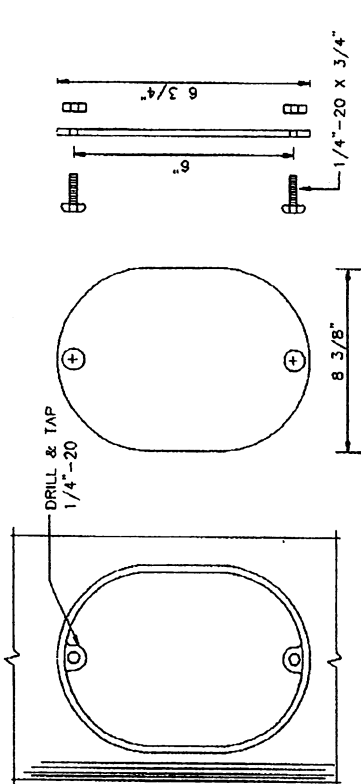


FOR ANY ANGLE  $\phi$ , THE HANDHOLE LOCATION SHALL BE AT  $\phi/2$



**SPECIFICATIONS**

HAND HOLE REINFORCEMENT SHALL BE FABRICATED FROM 3/16" THICKNESS. MATERIAL SHALL BE IDENTICAL TO THAT OF THE POLE.  
 REINFORCEMENT SHALL BE WELDED TO THE POLE SHAFT IN THE 90° LOCATION FROM SPAN WIRE.  
 WELDING IS IN ACCORDANCE WITH SECTION 1.5.5 OF AASHTO STANDARD SPECIFICATIONS FOR STRUCTURAL SUPPORT FOR HIGHWAY SIGNS, LUMINAIRES, AND TRAFFIC SIGNALS.  
 TWO (2) ANSI 302 STAINLESS STEEL 1/4"-20 X 3/4" HEX CAP SCREWS AND TWO (2) CAPTIVE WASHER  
 HANDHOLE COVER SHALL BE OF HIGH DENSITY PLASTIC WITH U.V. INHIBITORS.

HANDHOLE COVER AND BOLTS DETAIL

EFFECTIVE DATE: DECEMBER 2000

COMMONWEALTH OF PUERTO RICO  
 DEPARTMENT OF TRANSPORTATION AND PUBLIC WORKS  
 HIGHWAY AND TRANSPORTATION AUTHORITY

RECOMMENDED BY: [Signature]  
 DEPUTY EXEC. DIR. FOR TRAFFIC AND TOLL ROADS  
 DATE: 7-11-00

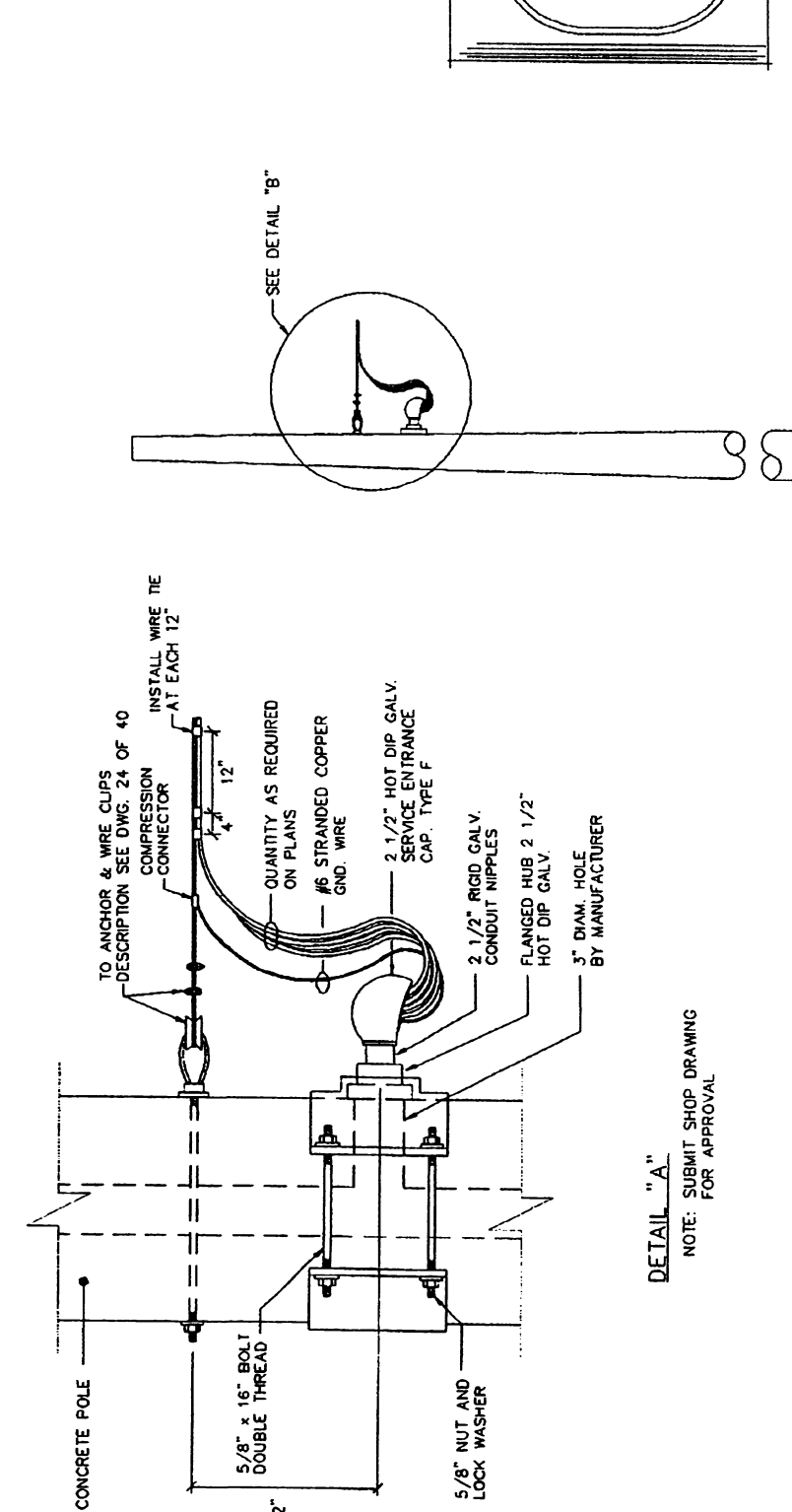
APPROVED BY: [Signature]  
 EXECUTIVE DIRECTOR  
 DATE: 7-11-00

DATE: \_\_\_\_\_ BY: \_\_\_\_\_

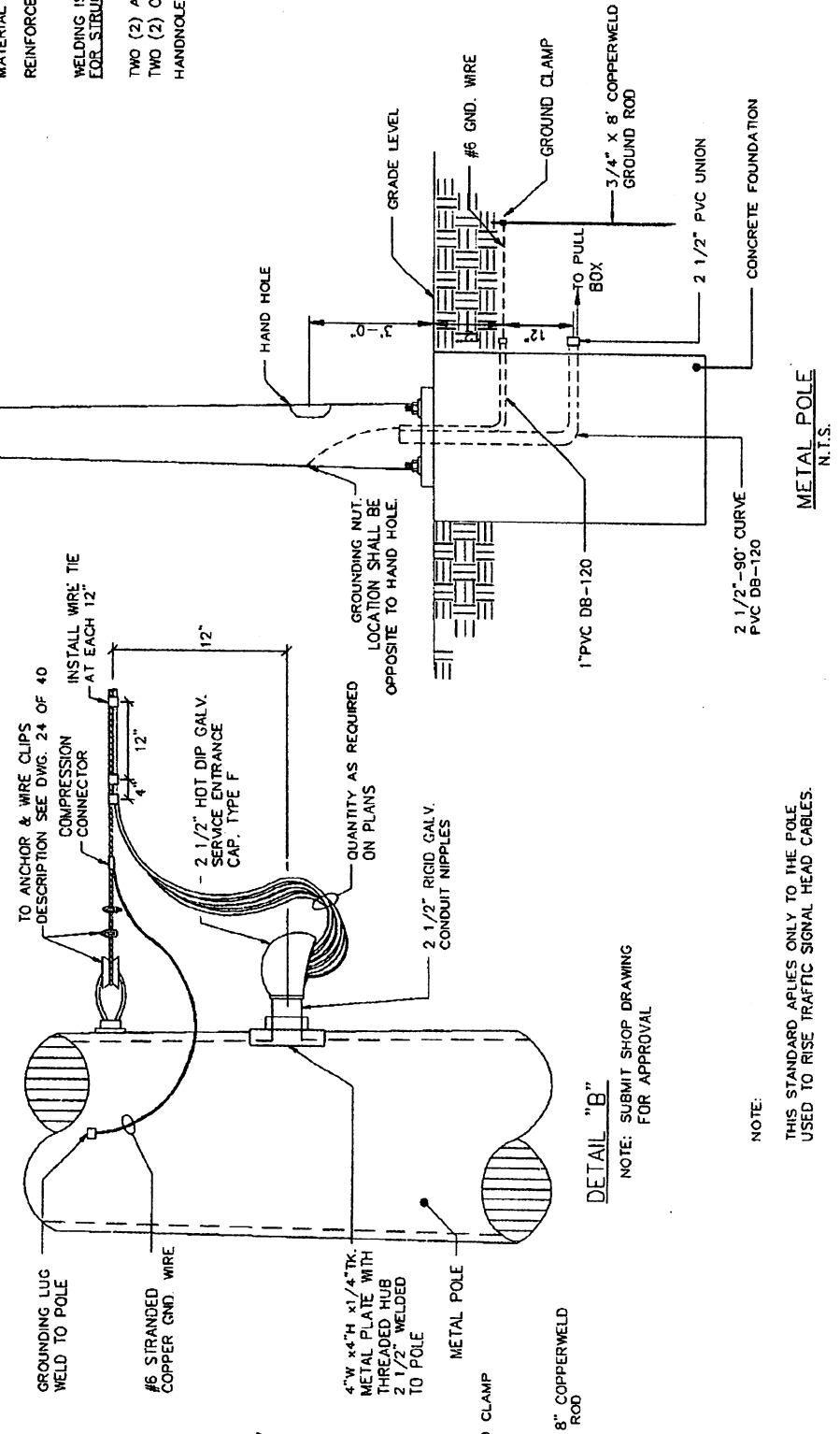
REVISION: \_\_\_\_\_

STD. TRSI DWG. 24D OF 40

**TRAFFIC SIGNALS  
 SPAN WIRE  
 WIRING DETAILS**



**DETAIL "A"**  
 NOTE: SUBMIT SHOP DRAWING FOR APPROVAL



**DETAIL "B"**  
 NOTE: SUBMIT SHOP DRAWING FOR APPROVAL

REINFORCED OR PRESTRESSED CONCRETE POLE  
 N.T.S.

NOTE:  
 THIS STANDARD APPLIES ONLY TO THE POLE USED TO RISE TRAFFIC SIGNAL HEAD CABLES.

METAL POLE  
 N.T.S.