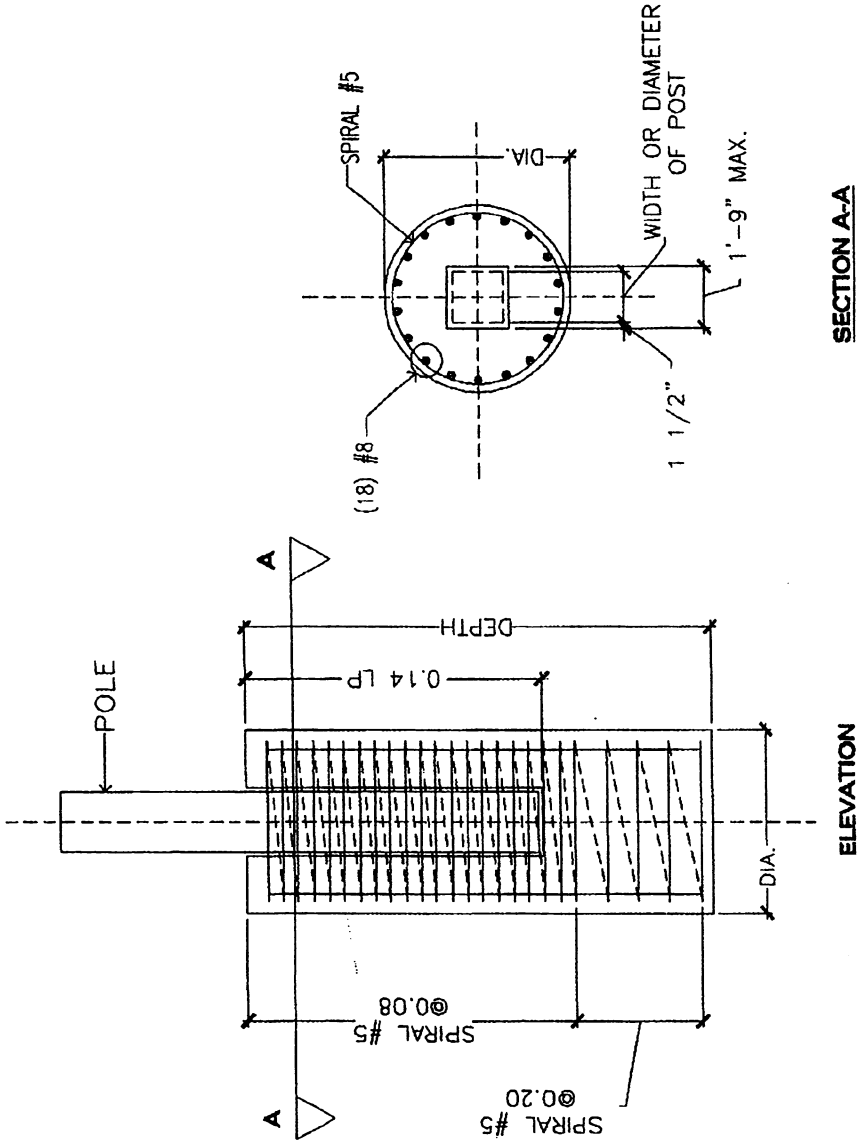
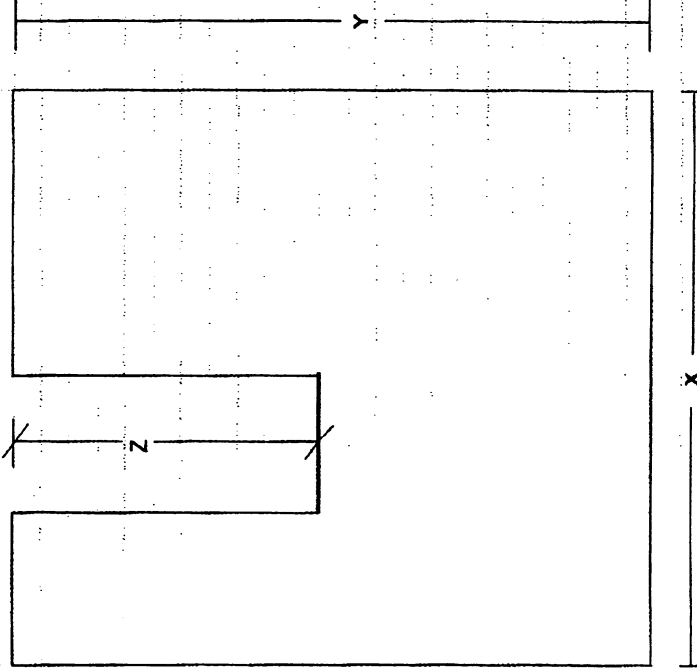


**PRECAST POLE BASE SELECTION TABLE
COMPARATIVE WORKING TABLE
EMBEDDED FOUNDATION**

POLE TYPE & CLASS	EMBEDMENT or 0.14L	SPAN WIRE CONFIGURATION		
		SQUARE 0-150' TYPE MODEL	DIAGONAL 0-100' TYPE MODEL	DIAGONAL 100' - 210' TYPE MODEL
		X * Y * (Z)	X * Y * (Z)	X * Y * (Z)
45-S6	6.3	4'-0"Ø x 8'-6" x (7')	4'-0"Ø x 10'-0" x (7')	4'-0"Ø x 11'-0" x (7')
50-S6	7.0	4'-0"Ø x 8'-6" x (7')	4'-0"Ø x 10'-0" x (7')	4'-0"Ø x 11'-0" x (7')
55-S6	7.7	4'-0"Ø x 10'-0" x (8')	4'-0"Ø x 10'-0" x (8'-6")	4'-0"Ø x 11'-0" x (8'-6")
60-S6	8.4	4'-0"Ø x 10'-0" x (8'-6")	4'-0"Ø x 10'-0" x (8'-6")	4'-0"Ø x 11'-0" x (8'-6")
65-S6	9.1	4'-0"Ø x 11'-0" x (10'-6")	4'-0"Ø x 10'-0" x (9')	4'-0"Ø x 11'-0" x (10'-6")
40-S8	5.6	4'-0"Ø x 8'-6" x (7')	4'-0"Ø x 10'-0" x (7')	4'-0"Ø x 11'-0" x (7')
45-S8	6.3	4'-0"Ø x 8'-6" x (7')	4'-0"Ø x 10'-0" x (7')	4'-0"Ø x 11'-0" x (7')
50-S8	7.0	4'-0"Ø x 8'-6" x (7')	4'-0"Ø x 10'-0" x (7')	4'-0"Ø x 11'-0" x (7')
55-S8	7.7	4'-0"Ø x 10'-0" x (8'-6")	4'-0"Ø x 10'-0" x (8'-6")	4'-0"Ø x 11'-0" x (8'-6")
60-S8	8.4	4'-0"Ø x 10'-0" x (8'-6")	4'-0"Ø x 10'-0" x (8'-6")	4'-0"Ø x 11'-0" x (8'-6")
65-S8	9.1	4'-0"Ø x 11'-0" x (10'-6")	4'-0"Ø x 10'-0" x (9')	4'-0"Ø x 11'-0" x (9')
45-S10	6.3	-	4'-0"Ø x 10'-0" x (7')	4'-0"Ø x 11'-0" x (7')
50-S10	7.0	-	4'-0"Ø x 10'-0" x (7')	4'-0"Ø x 11'-0" x (7')
55-S10	7.7	-	4'-0"Ø x 10'-0" x (8'-6")	4'-0"Ø x 11'-0" x (8'-6")



NOTES:

1. FOR SELECTION OF PRE-CAST FOUNDATION SEE SPECIFICATION TABLE
2. FOR POLES WITH BURIAL DEPTH LESS THAN (Z) ON PRE-CAST FOUNDATION USE 3/4" STONE INSIDE FOUNDATION TO OBTAIN PROPER BURIAL DEPTH
3. F'c=4500psi FOR CONCRETE
4. F'y=60000psi

EFFECTIVE DATE: DECEMBER 2000

COMMONWEALTH OF PUERTO RICO
**DEPARTMENT OF TRANSPORTATION
AND PUBLIC WORKS**
HIGHWAY AND TRANSPORTATION AUTHORITY

**TRAFFIC SIGNALS
SPAN WIRE
FOUNDATIONS**
MANUFACTURED BY
ORNAMENTAL POLES, S.E.
PR-955, KM. 1.0 RD GRANDE, P.R.
PO BOX 1519 HATO REY, P.R. 00919
TEL (787) 887-2005

RECOMMENDED BY: *[Signature]*
TRAFFIC SIG. FOR ROADS
DATE: 12-21-00

APPROVED BY: *[Signature]*
EXECUTIVE DIRECTOR
DATE: 12-21-00

DATE	REVISION	BY

STD. TRSI
DWG.24F OF 40