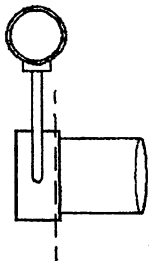
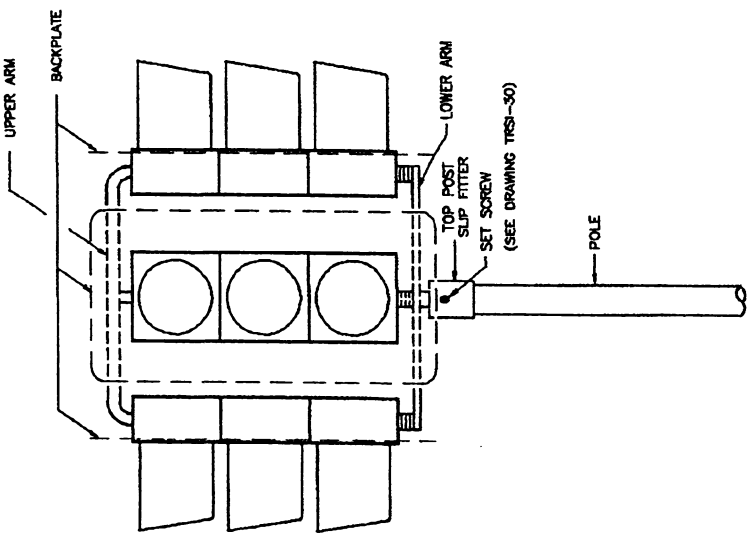


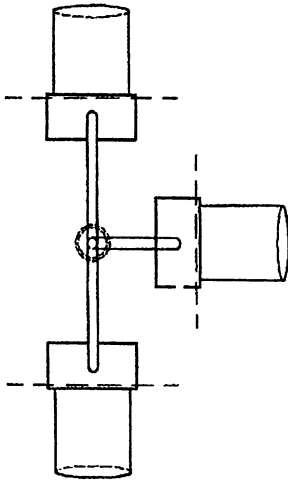
THREE SECTIONS
(SIDE MOUNTING)



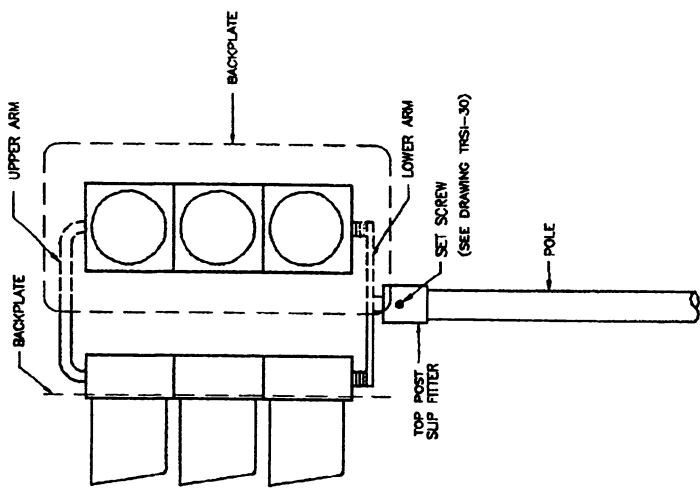
TOP VIEW



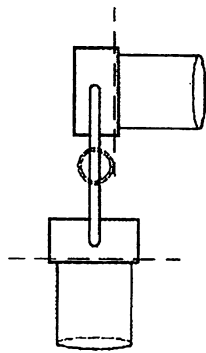
3-THREE SECTIONS
(POST TOP MOUNTING)



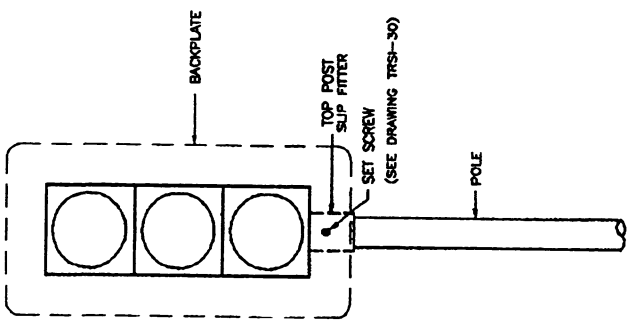
TOP VIEW



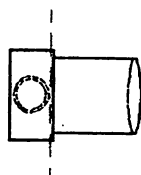
2-THREE SECTIONS
(POST TOP MOUNTING)



TOP VIEW



THREE SECTIONS
(POST TOP MOUNTING)



TOP VIEW

EFFECTIVE DATE: OCTOBER 1997

COMMONWEALTH OF PUERTO RICO
DEPARTMENT OF TRANSPORTATION
AND PUBLIC WORKS
HIGHWAY AND TRANSPORTATION AUTHORITY

TRAFFIC SIGNAL

POST TOP & SIDE MOUNTING

NOTES:

- 1- ALL TRAFFIC SIGNAL FACES SHALL BE ORIENTED TOWARDS PROPOSED CONTROLLED LANES.
- 2- TRAFFIC SIGNAL FACES SHALL BE 3 METERS ± 0.15 METERS FROM BOTTOM OF SIGNAL FACE TO SIDEWALK OR FINISHED GRADE IF NO SIDEWALK EXIST.
- 3- CONTRACTOR SHALL PROVIDE ALL NECESSARY MATERIALS AND HARDWARE FOR THE INSTALLATION OF THESE TRAFFIC SIGNAL FACES.

DESIGNED BY: *[Signature]*
ASST. ENG. DIR. FOR TRAFFIC
DATE: 07/06/97
APPROVED BY: *[Signature]*
EXECUTIVE DIRECTOR
DATE: 07/06/97
ADM. DIR. FOR TRAFFIC
DATE: 07/06/97

DATE	REVISION	BY

STD. TRSI
DWG. 28 OF 40