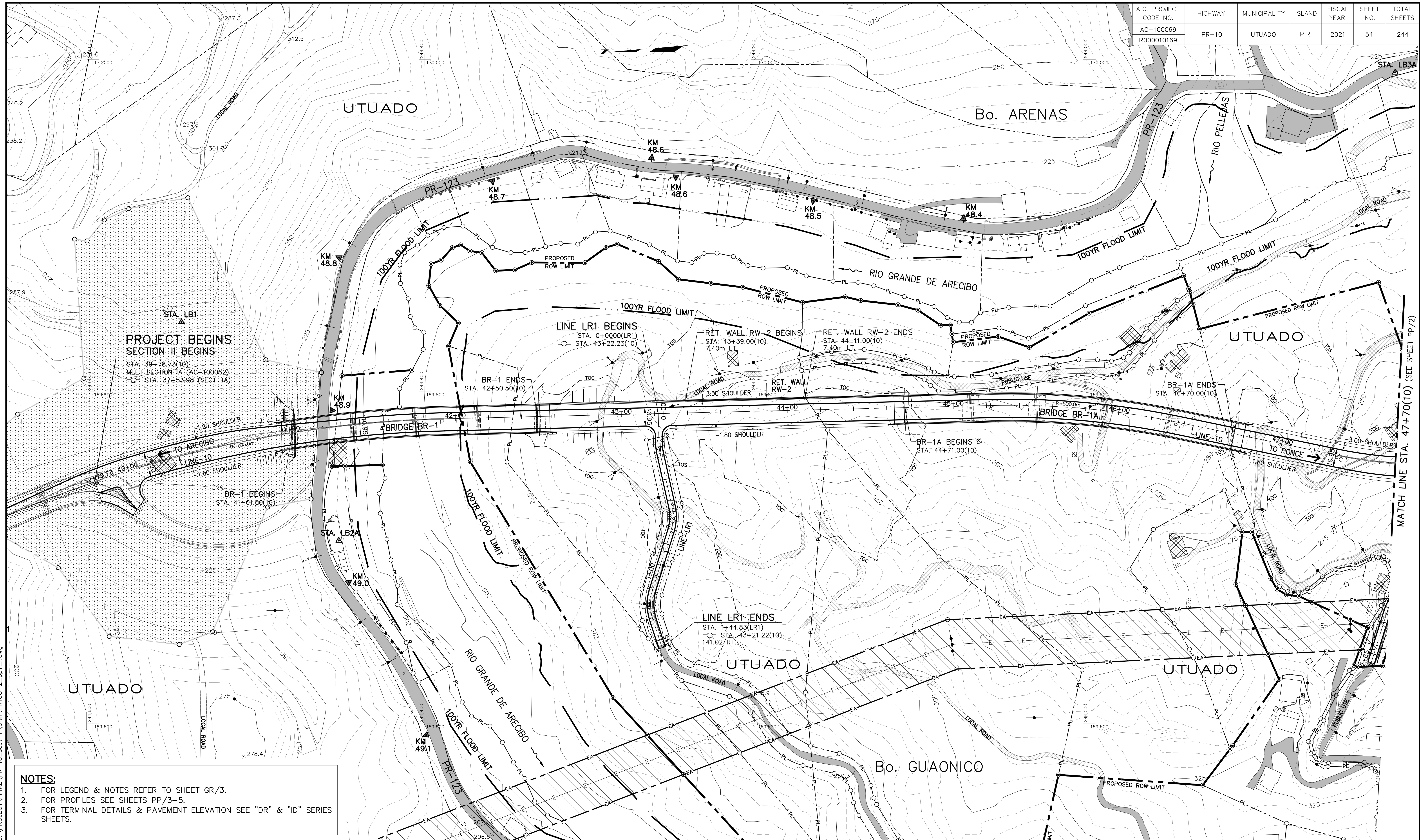


**ATTACHMENT 3**

**COPY OF THE PROPOSED ACTION DRAWINGS ILLUSTRATING ROW AND LOCATION OF  
BRIDGES**

A.C. PROJECT CODE NO.	HIGHWAY	MUNICIPALITY	ISLAND	FISCAL YEAR	SHEET NO.	TOTAL SHEETS
AC-100069 R000010169	PR-10	UTUADO	P.R.	2021	54	244



**PROJECT BEGINS SECTION II BEGINS**  
 STA. 39+78.73(10)  
 MEET SECTION IA (AC-100062)  
 STA. 37+53.98 (SECT. IA)

**LINE LR1 BEGINS**  
 STA. 0+0000(LR1)  
 STA. 43+22.23(10)

**RET. WALL RW-2 BEGINS**  
 STA. 43+39.00(10)  
 7.40m

**RET. WALL RW-2 ENDS**  
 STA. 44+11.00(10)  
 7.40m

**BR-1 ENDS**  
 STA. 42+50.50(10)

**BR-1A BEGINS**  
 STA. 44+71.00(10)

**BR-1A ENDS**  
 STA. 46+70.00(10)

**LINE LR1 ENDS**  
 STA. 44+44.83(LR1)  
 STA. 43+21.22(10)  
 141.02/RT.S.

- NOTES:**
- FOR LEGEND & NOTES REFER TO SHEET GR/3.
  - FOR PROFILES SEE SHEETS PP/3-5.
  - FOR TERMINAL DETAILS & PAVEMENT ELEVATION SEE "DR" & "ID" SERIES SHEETS.

WORK	DATE
DESIGN	
DRAWING	
TRACED	
CHECK	
FINAL CHECK	

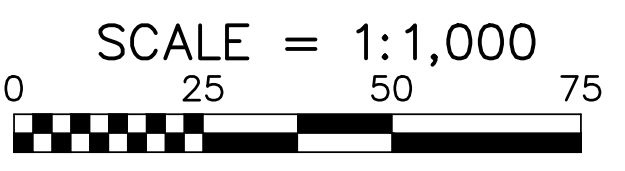
B. & H. FILE: G:\PROJECT\FINAL\PR-10\_sect-II\Civil\PR10C-2\_pp1\_f.dwg

**PUERTO RICO HIGHWAY & TRANSPORTATION AUTHORITY**



**HIGHWAY PR-10**  
 UTUADO TO ADJUNTAS (SECTION II)  
 FROM STA 39+78.73(10) TO STA 55+50.36(10)

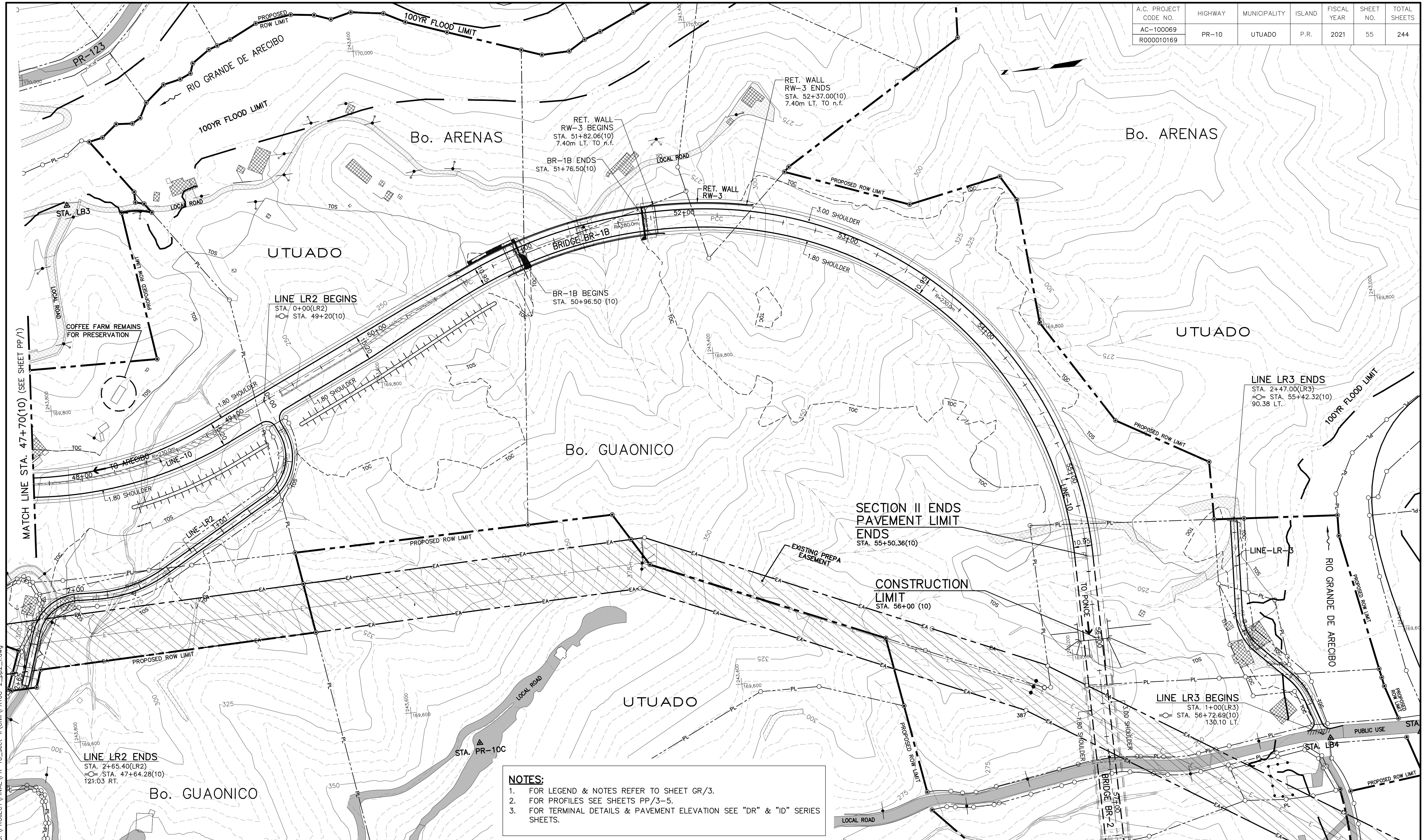
DATE	REVISION



**PLAN**  
 STA. 39+78.73(10) TO STA. 47+70(10)

PP  
1

A.C. PROJECT CODE NO.	HIGHWAY	MUNICIPALITY	ISLAND	FISCAL YEAR	SHEET NO.	TOTAL SHEETS
AC-100069 R000010169	PR-10	UTUADO	P.R.	2021	55	244



**NOTES:**

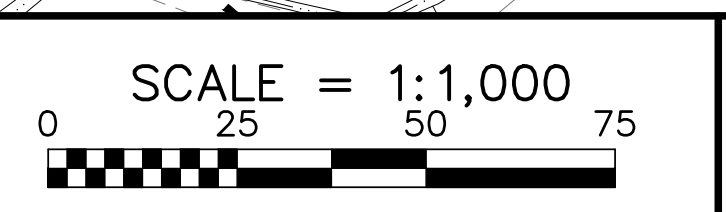
1. FOR LEGEND & NOTES REFER TO SHEET GR/3.
2. FOR PROFILES SEE SHEETS PP/3-5.
3. FOR TERMINAL DETAILS & PAVEMENT ELEVATION SEE "DR" & "ID" SERIES SHEETS.

WORK	DATE
DESIGN	
DRAWING	
TRACED	
CHECK	
FINAL CHECK	

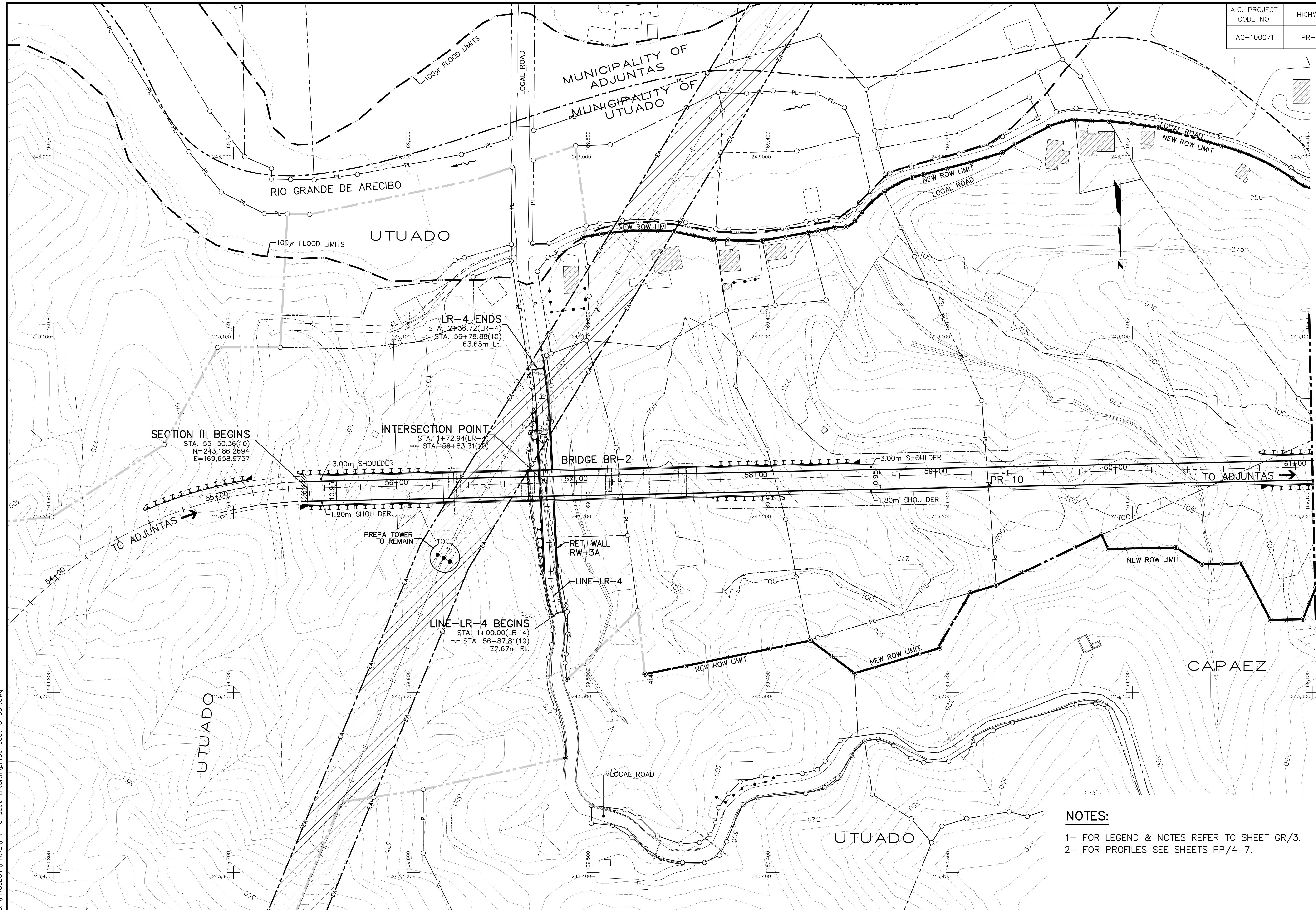
B. & H. FILE: G:\PROJECTS\FINAL\PR-10\_sect-II\Civil\PR10C-2\_pp2\_f.dwg



DATE	REVISION



A.C. PROJECT CODE NO.	HIGHWAY	MUNICIPALITY	ISLAND	FISCAL YEAR	SHEET NO.	TOTAL SHEETS
AC-100071	PR-10	UTUADO ADJUNTAS	P.R.	2016	39	258



MATCH LINE STA. 61+10(10)

**NOTES:**  
 1- FOR LEGEND & NOTES REFER TO SHEET GR/3.  
 2- FOR PROFILES SEE SHEETS PP/4-7.

WORK	DATE
DESIGN	
DRAWING	
TRACED	
CHECK	
FINAL CHECK	

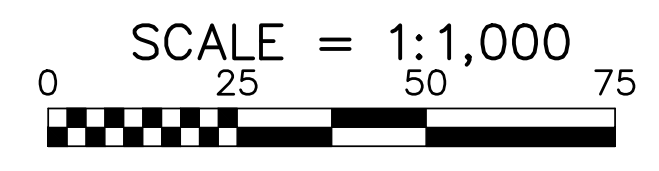
B. & H. FILE: G:\PROJECT\FINAL\PR-10\_sect-III\Civil\pr10c\_sect-3\_pp1.dwg

**PUERTO RICO HIGHWAY & TRANSPORTATION AUTHORITY**



**HIGHWAY PR-10**  
 UTUADO TO ADJUNTAS (SECTION III)  
 FROM STA. 55+50.36(10) TO STA. 73+90(10)

DATE	REVISION



**PLAN**  
 STA. 55+50.36(10) TO STA. 61+10(10)

PP  
1

A.C. PROJECT CODE NO.	HIGHWAY	MUNICIPALITY	ISLAND	FISCAL YEAR	SHEET NO.	TOTAL SHEETS
AC-100071	PR-10	UTUADO ADJUNTAS	P.R.	2016	40	258



**NOTES:**  
 1- FOR LEGEND & NOTES REFER TO SHEET GR/3.  
 2- FOR PROFILES SEE SHEETS PP/4-7.

WORK	BY	DATE
DESIGN		
DRAWING		
TRACED		
CHECK		
FINAL CHECK		

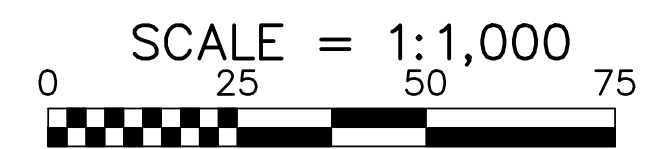
B. & H. FILE: G:\PROJECT\FINAL\PR-10\_sect-III\Civil\pr10c\_sect-3\_pp2.dwg

**PUERTO RICO HIGHWAY & TRANSPORTATION AUTHORITY**



**HIGHWAY PR-10**  
 UTUADO TO ADJUNTAS (SECTION III)  
 FROM STA. 55+50.36(10) TO STA. 73+90(10)

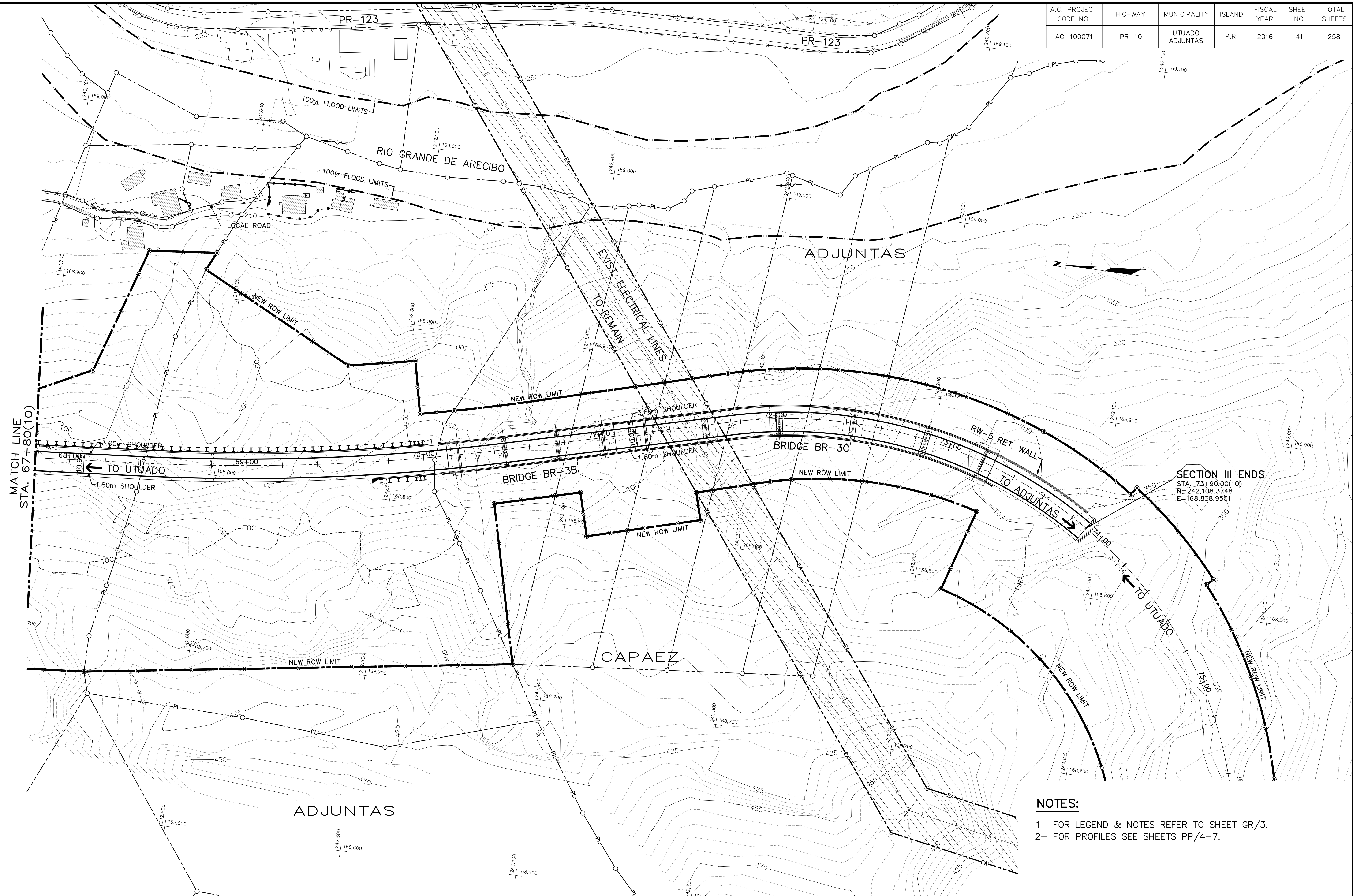
DATE	REVISION



**PLAN**  
 STA. 61+10(10) TO STA. 67+80(10)

PP  
2

A.C. PROJECT CODE NO.	HIGHWAY	MUNICIPALITY	ISLAND	FISCAL YEAR	SHEET NO.	TOTAL SHEETS
AC-100071	PR-10	UTUADO ADJUNTAS	P.R.	2016	41	258



MATCH LINE  
STA. 67+80(10)

SECTION III ENDS  
STA. 73+90.00(10)  
N=242,108.3748  
E=168,838.9501

**NOTES:**  
1- FOR LEGEND & NOTES REFER TO SHEET GR/3.  
2- FOR PROFILES SEE SHEETS PP/4-7.

WORK	BY	DATE
DESIGN		
DRAWING		
TRACED		
CHECK		
FINAL CHECK		

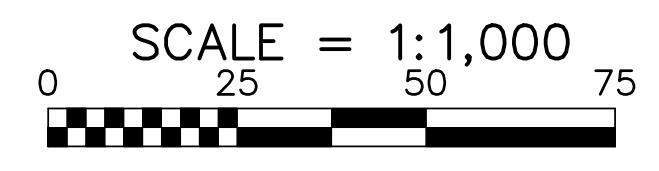
B. & H. FILE: G:\PROJECT\FINAL\PR-10\_sect-III\Civil\pr10c\_sect-3\_pp3.dwg

**PUERTO RICO HIGHWAY & TRANSPORTATION AUTHORITY**



**HIGHWAY PR-10**  
UTUADO TO ADJUNTAS (SECTION III)  
FROM STA. 55+50.36(10) TO STA. 73+90(10)

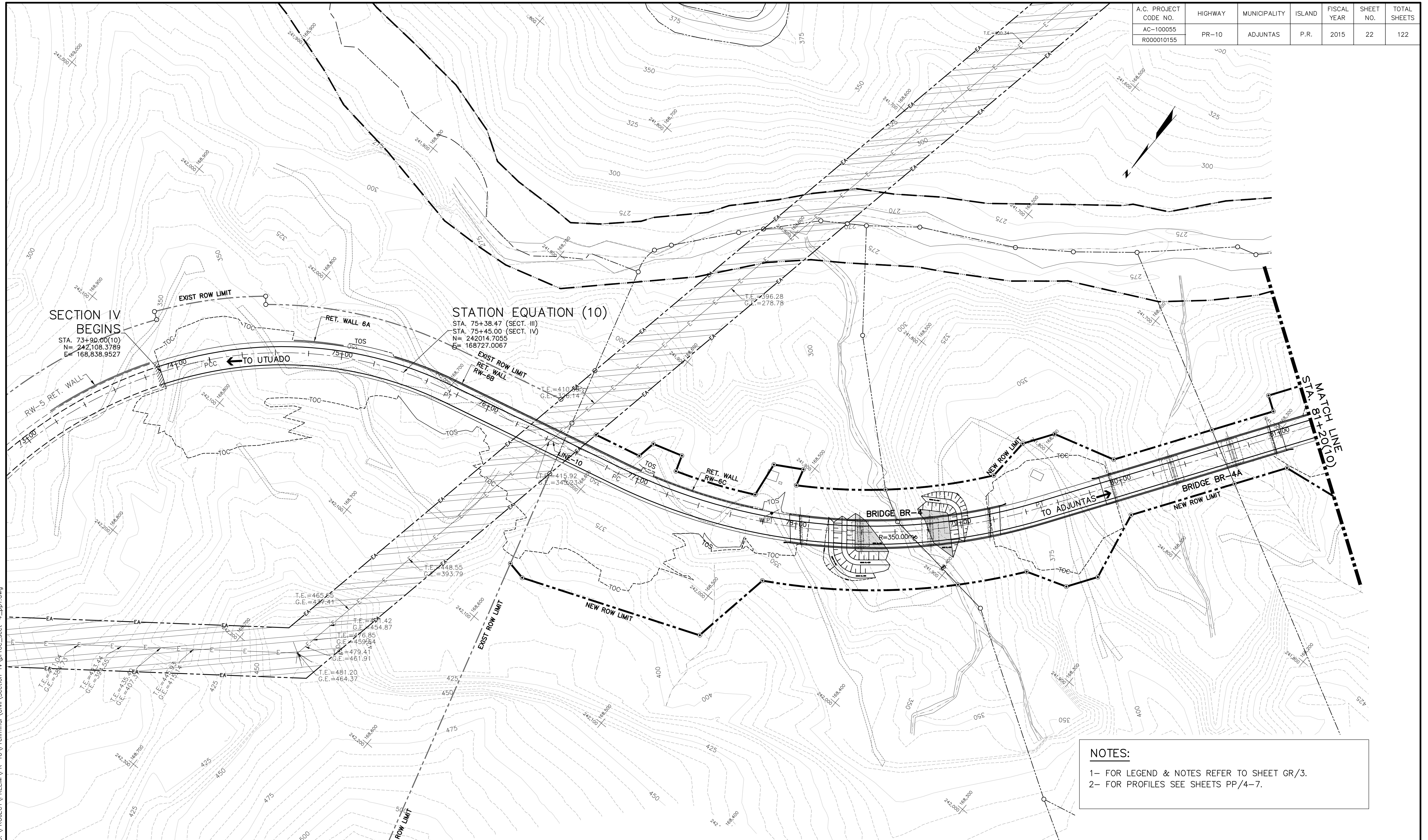
DATE	REVISION



**PLAN**  
STA. 67+80(10) TO STA. 73+90(10)

PP  
3

A.C. PROJECT CODE NO.	HIGHWAY	MUNICIPALITY	ISLAND	FISCAL YEAR	SHEET NO.	TOTAL SHEETS
AC-100055 R000010155	PR-10	ADJUNTAS	P.R.	2015	22	122



SECTION IV BEGINS  
STA. 73+90.00(10)  
N = 242,108.3789  
E = 168,838.9527

STATION EQUATION (10)  
STA. 75+38.47 (SECT. III)  
STA. 75+45.00 (SECT. IV)  
N = 242014.7055  
E = 168727.0067

NOTES:  
1- FOR LEGEND & NOTES REFER TO SHEET GR/3.  
2- FOR PROFILES SEE SHEETS PP/4-7.

WORK	BY	DATE
DESIGN		
DRAWING		
TRACED		
CHECK		
FINAL CHECK		

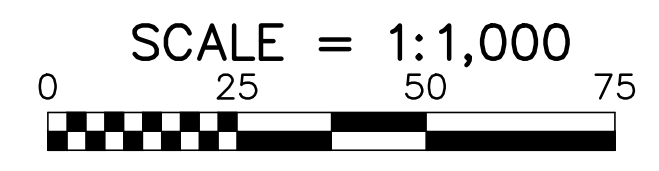
B. & H. FILE: G:\PROJECT\PRELIM\PR-10\Pre\minor\Civil\Section-IV\or10c\_sect-4\_pp1.dwg

PUERTO RICO HIGHWAY &  
TRANSPORTATION AUTHORITY



HIGHWAY PR-10  
UTUADO TO ADJUNTAS (SECTION IV)  
FROM STA. 73+90(10) TO STA. 96+85.93(10)

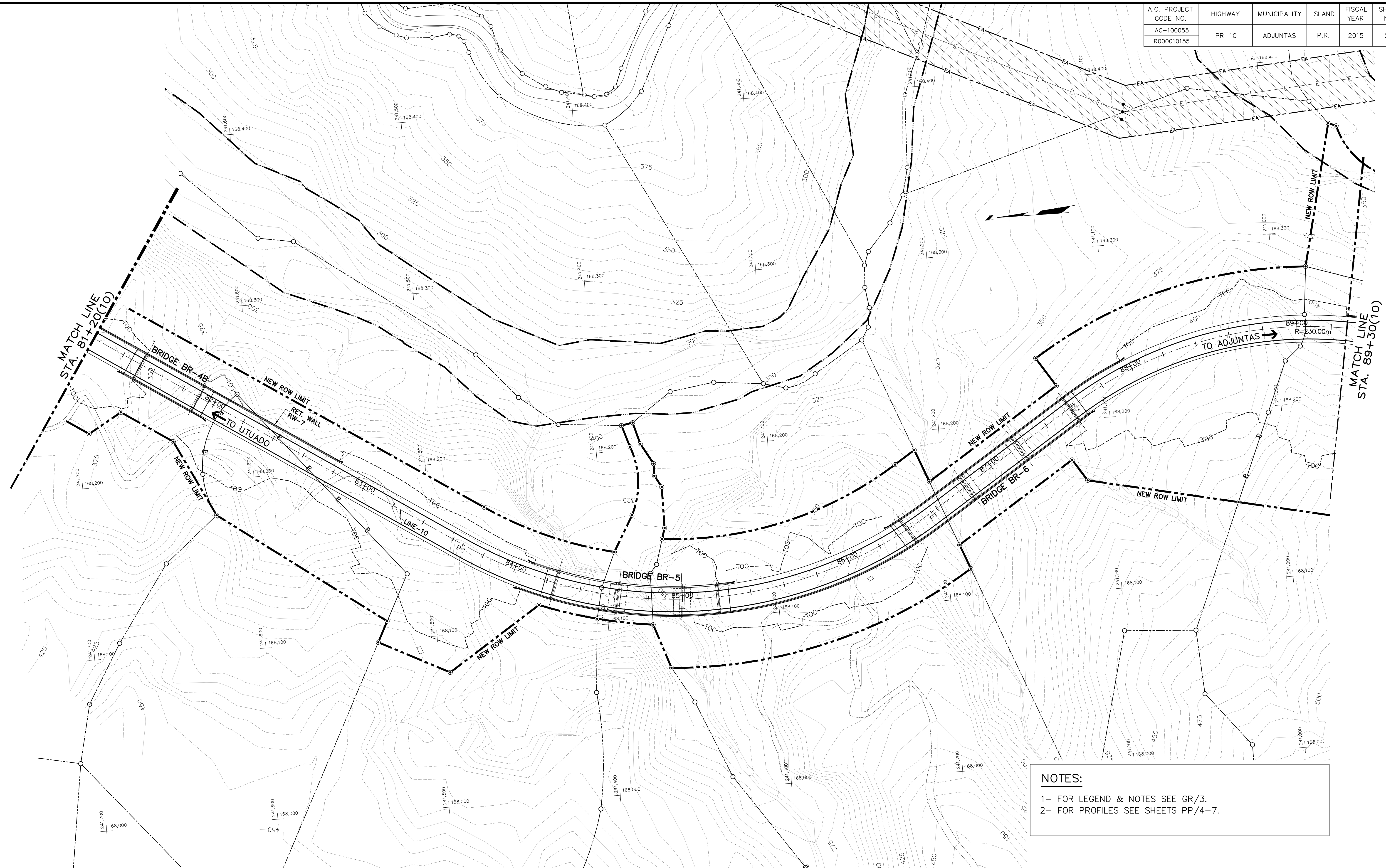
DATE	REVISION



PLAN  
STA. 73+80(10) TO STA. 81+20(10)

PP  
1

A.C. PROJECT CODE NO.	HIGHWAY	MUNICIPALITY	ISLAND	FISCAL YEAR	SHEET NO.	TOTAL SHEETS
AC-100055	PR-10	ADJUNTAS	P.R.	2015	23	122
R000010155						



**NOTES:**  
 1- FOR LEGEND & NOTES SEE GR/3.  
 2- FOR PROFILES SEE SHEETS PP/4-7.

WORK	BY	DATE
DESIGN		
DRAWING		
TRACED		
CHECK		
FINAL CHECK		

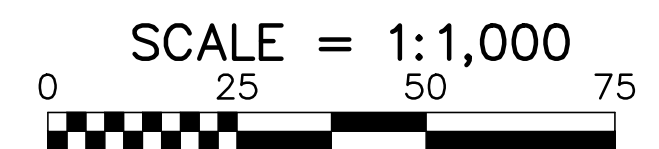
B. & H. FILE: G:\PROJECT\PRELIM\PR-10\Preliminar\Civil\Section-IV\pr10c\_sect-4\_pp2.dwg

**PUERTO RICO HIGHWAY & TRANSPORTATION AUTHORITY**



**HIGHWAY PR-10**  
 UTUADO TO ADJUNTAS (SECTION IV)  
 FROM STA. 73+90(10) TO STA. 96+85.93(10)

DATE	REVISION

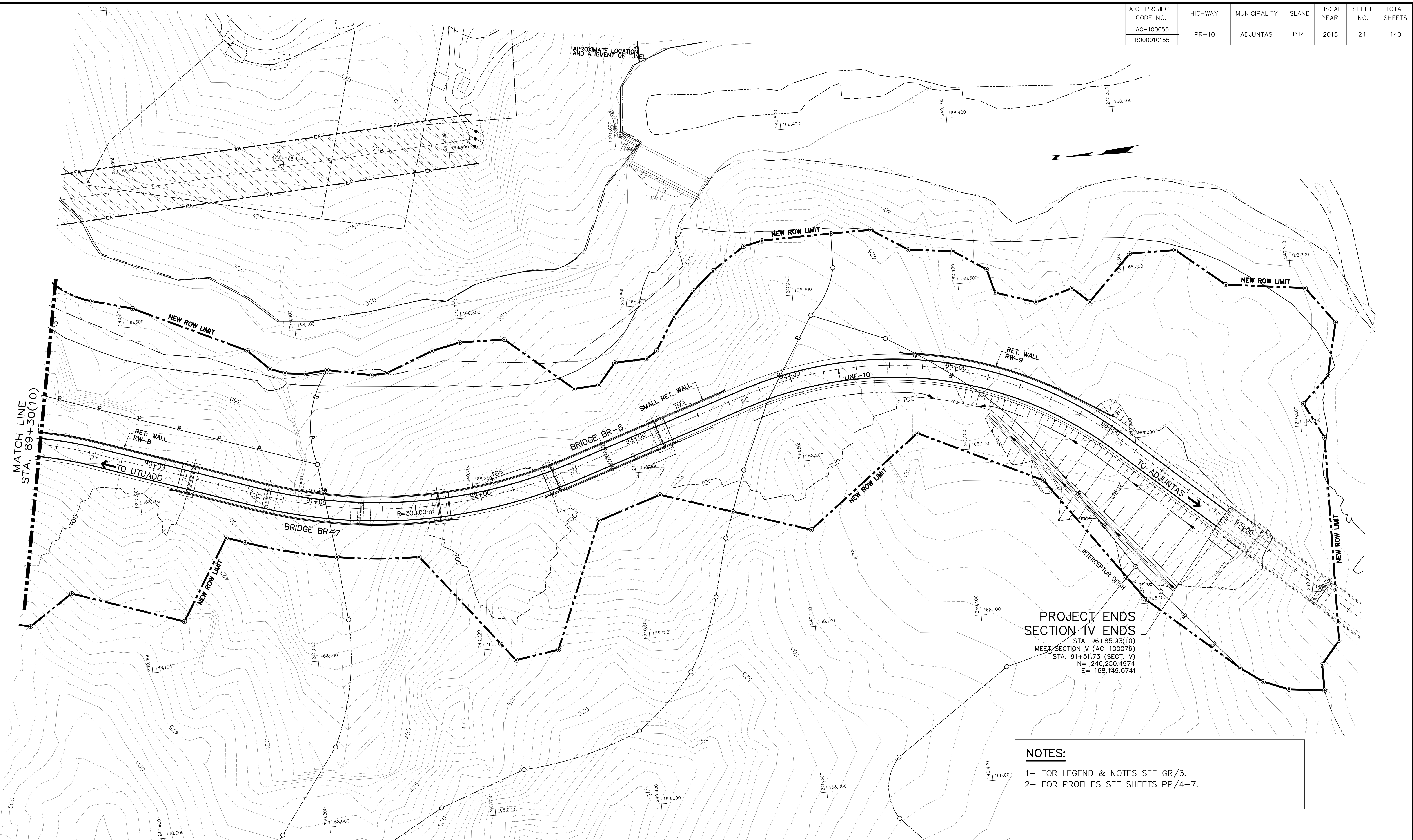


**PLAN**  
 STA. 81+20(10) TO STA. 89+30(10)

PP  
2



A.C. PROJECT CODE NO.	HIGHWAY	MUNICIPALITY	ISLAND	FISCAL YEAR	SHEET NO.	TOTAL SHEETS
AC-100055 R000010155	PR-10	ADJUNTAS	P.R.	2015	24	140



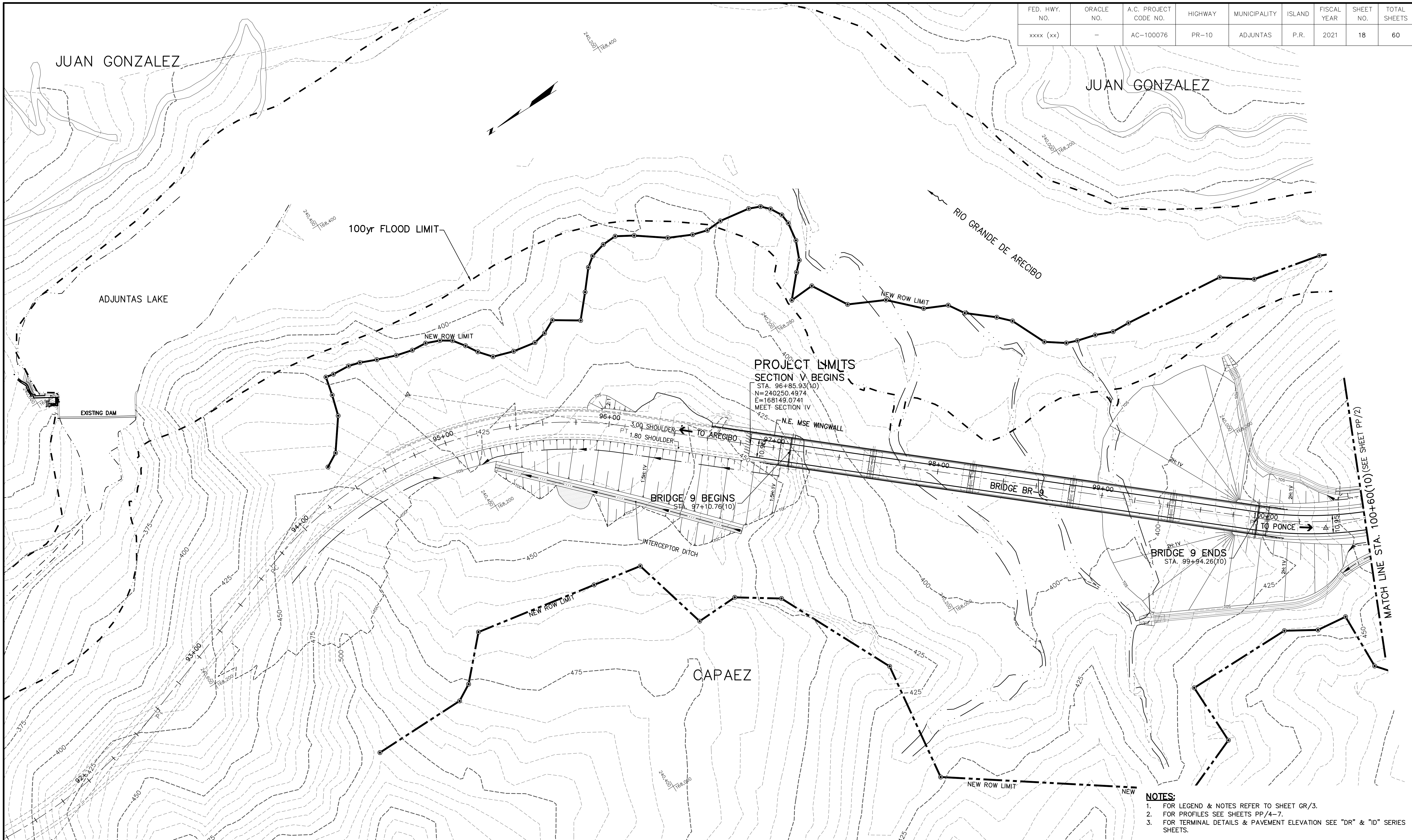
**PROJECT ENDS SECTION IV ENDS**  
 STA. 96+85.93(10)  
 MEETS SECTION V (AC-100076)  
 STA. 91+51.73 (SECT. V)  
 N= 240,250.4974  
 E= 168,149.0741

**NOTES:**  
 1- FOR LEGEND & NOTES SEE GR/3.  
 2- FOR PROFILES SEE SHEETS PP/4-7.

WORK	BY	DATE
DESIGN		
DRAWING		
TRACED		
CHECK		
FINAL CHECK		

B. & H. FILE: G:\PROJECT\PRELIM\PR-10\Prelimin\Civil\Section-IV\pr10c\_sect-4\_pp3.dwg

FED. HWY. NO.	ORACLE NO.	A.C. PROJECT CODE NO.	HIGHWAY	MUNICIPALITY	ISLAND	FISCAL YEAR	SHEET NO.	TOTAL SHEETS
xxxx (xx)	-	AC-100076	PR-10	ADJUNTAS	P.R.	2021	18	60



**PROJECT LIMITS**  
**SECTION V BEGINS**  
 STA. 96+85.93(10)  
 N=240250.4974  
 E=168149.0741  
 MEET SECTION IV

**BRIDGE 9 BEGINS**  
 STA. 97+10.76(10)

**BRIDGE 9 ENDS**  
 STA. 99+94.26(10)

- NOTES:**
1. FOR LEGEND & NOTES REFER TO SHEET GR/3.
  2. FOR PROFILES SEE SHEETS PP/4-7.
  3. FOR TERMINAL DETAILS & PAVEMENT ELEVATION SEE "DR" & "ID" SERIES SHEETS.

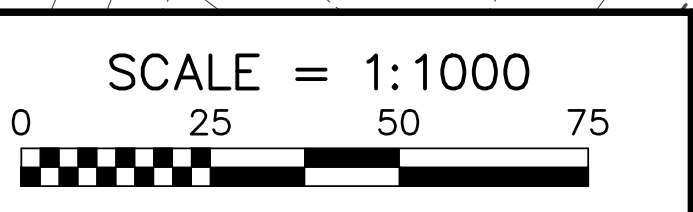
WORK	BY	DATE
DESIGN		
DRAWING		
TRACED		
CHECK		
FINAL CHECK		

**PUERTO RICO HIGHWAY & TRANSPORTATION AUTHORITY**



**HIGHWAY PR-10**  
 UTUADO TO ADJUNTAS (SECTION V)  
 FROM STA. 96+85.93(10) TO STA. 115+17.95(10)

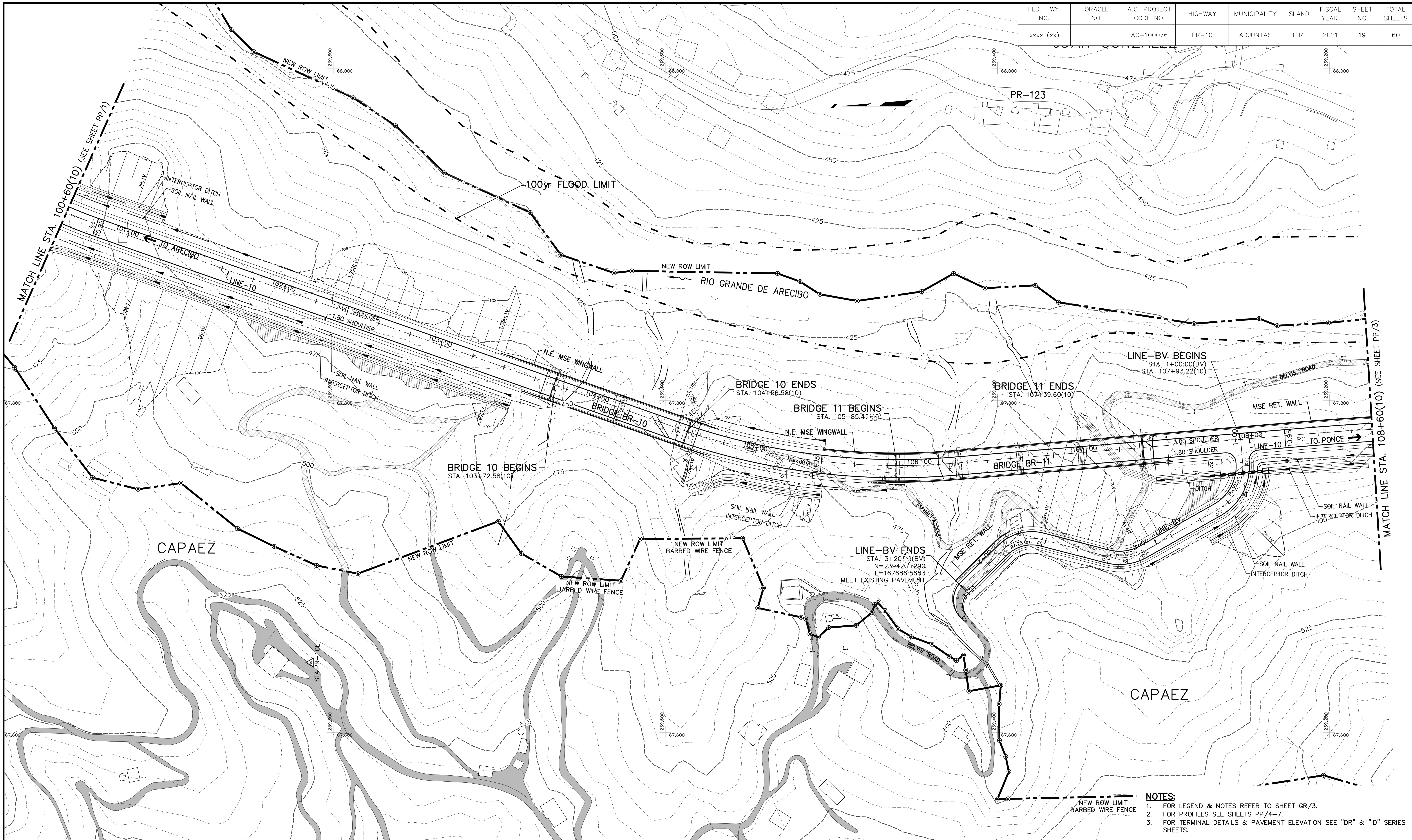
DATE	REVISION



**PLAN**  
 FROM STA. 96+85.93(10) TO STA. 100+60(10)

PP  
1

FED. HWY. NO.	ORACLE NO.	A.C. PROJECT CODE NO.	HIGHWAY	MUNICIPALITY	ISLAND	FISCAL YEAR	SHEET NO.	TOTAL SHEETS
xxxx (xx)	-	AC-100076	PR-10	ADJUNTAS	P.R.	2021	19	60



WORK	BY	DATE
DESIGN		
DRAWING		
TRACED		
CHECK		
FINAL CHECK		

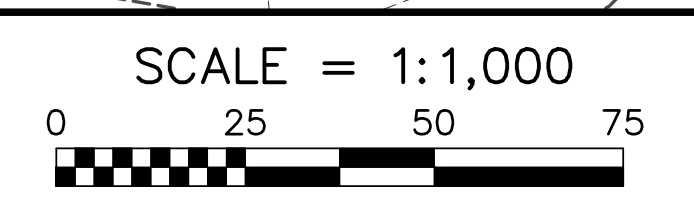
B. & H. FILE:

**PUERTO RICO HIGHWAY & TRANSPORTATION AUTHORITY**



**HIGHWAY PR-10**  
 UTUADO TO ADJUNTAS (SECTION V)  
 FROM STA. 96+85.93(10) TO STA. 115+17.95(10)

DATE	REVISION

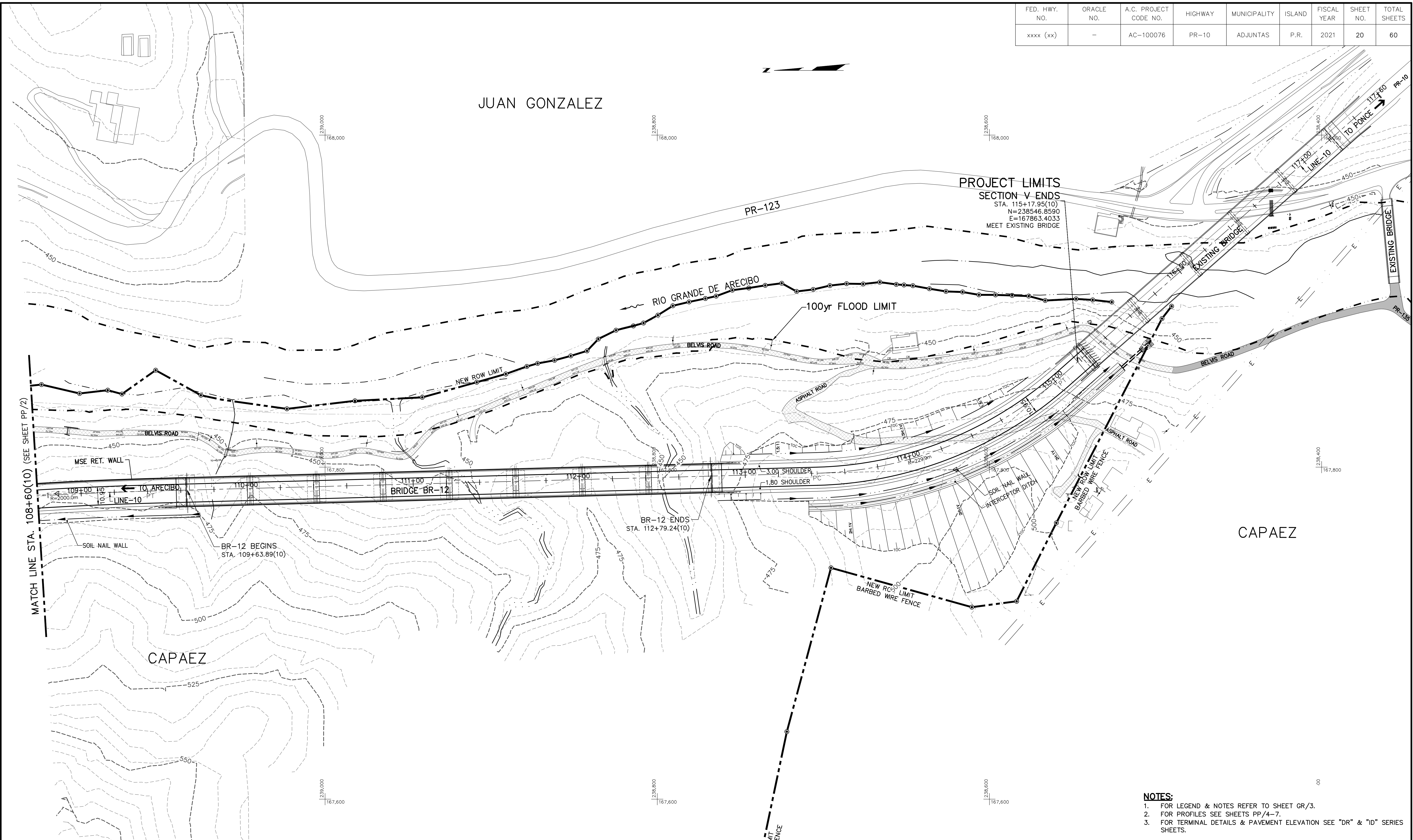


- NOTES:**
- FOR LEGEND & NOTES REFER TO SHEET GR/3.
  - FOR PROFILES SEE SHEETS PP/4-7.
  - FOR TERMINAL DETAILS & PAVEMENT ELEVATION SEE "DR" & "ID" SERIES SHEETS.

**PLAN**  
 FROM STA. 100+60(10) TO STA. 108+60(10)

PP  
 2

FED. HWY. NO.	ORACLE NO.	A.C. PROJECT CODE NO.	HIGHWAY	MUNICIPALITY	ISLAND	FISCAL YEAR	SHEET NO.	TOTAL SHEETS
xxxx (xx)	-	AC-100076	PR-10	ADJUNTAS	P.R.	2021	20	60



JUAN GONZALEZ

**PROJECT LIMITS SECTION V ENDS**  
 STA. 115+17.95(10)  
 N=238546.8590  
 E=167863.4033  
 MEET EXISTING BRIDGE

CAPAEZ

CAPAEZ

- NOTES:**
- FOR LEGEND & NOTES REFER TO SHEET GR/3.
  - FOR PROFILES SEE SHEETS PP/4-7.
  - FOR TERMINAL DETAILS & PAVEMENT ELEVATION SEE "DR" & "ID" SERIES SHEETS.

WORK	BY	DATE
DESIGN		
DRAWING		
TRACED		
CHECK		
FINAL CHECK		

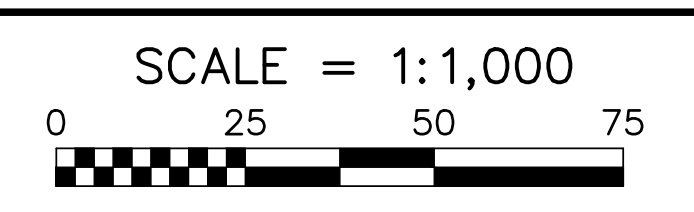
B. & H. FILE:

**PUERTO RICO HIGHWAY & TRANSPORTATION AUTHORITY**



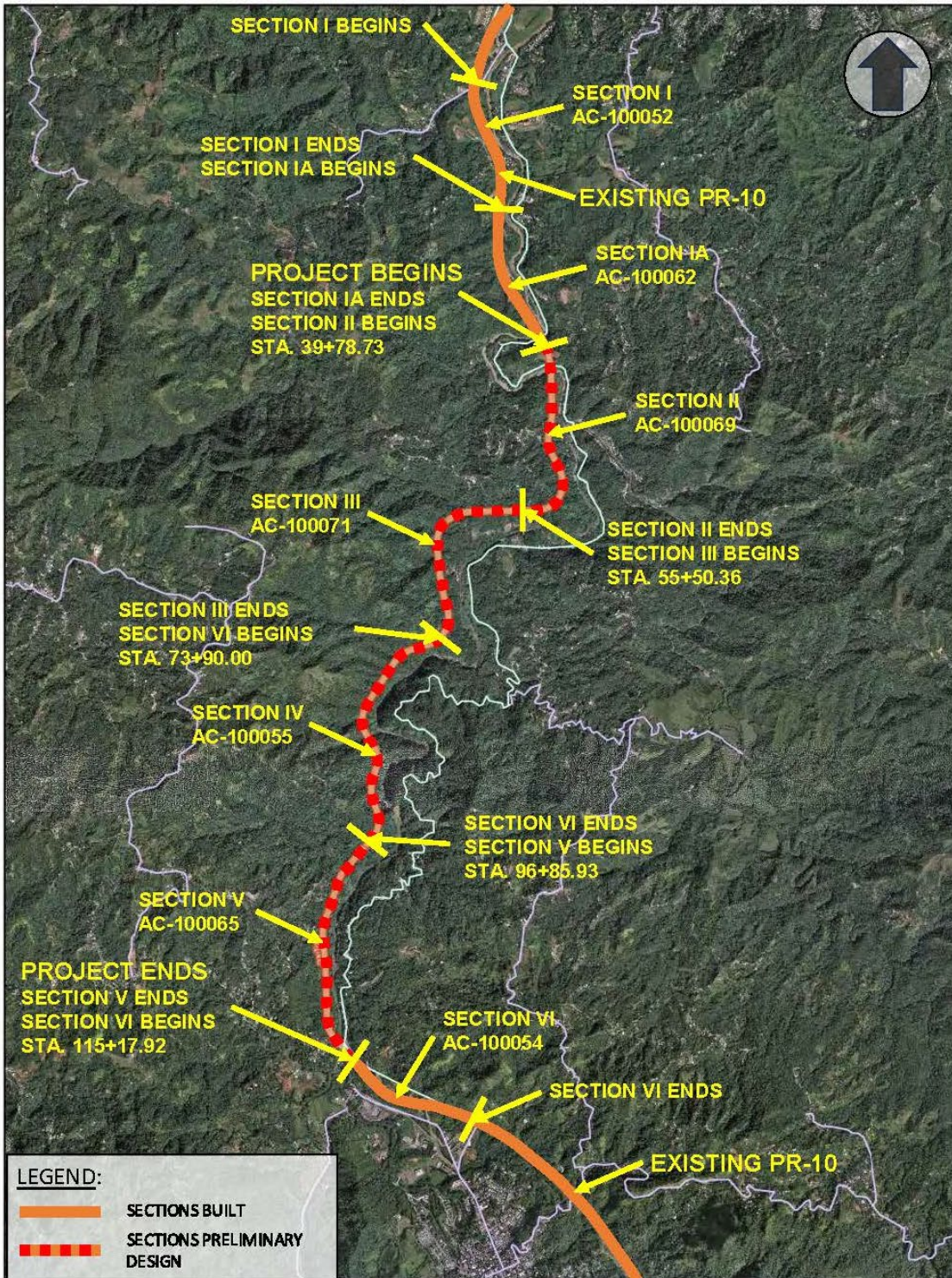
**HIGHWAY PR-10**  
 UTUADO TO ADJUNTAS (SECTION V)  
 FROM STA. 96+85.93(10) TO STA. 115+17.95(10)

DATE	REVISION



**PLAN**  
 FROM STA. 108+60(10) TO STA. 115+17.95(10)

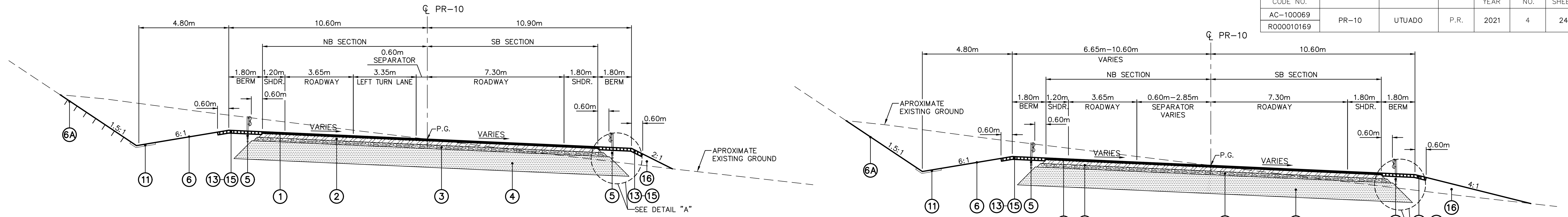
PP  
 3



# HIGHWAY PR-10 UTUADO - ADJUNTAS



A.C. PROJECT CODE NO.	HIGHWAY	MUNICIPALITY	ISLAND	FISCAL YEAR	SHEET NO.	TOTAL SHEETS
AC-100069 R000010169	PR-10	UTUADO	P.R.	2021	4	247

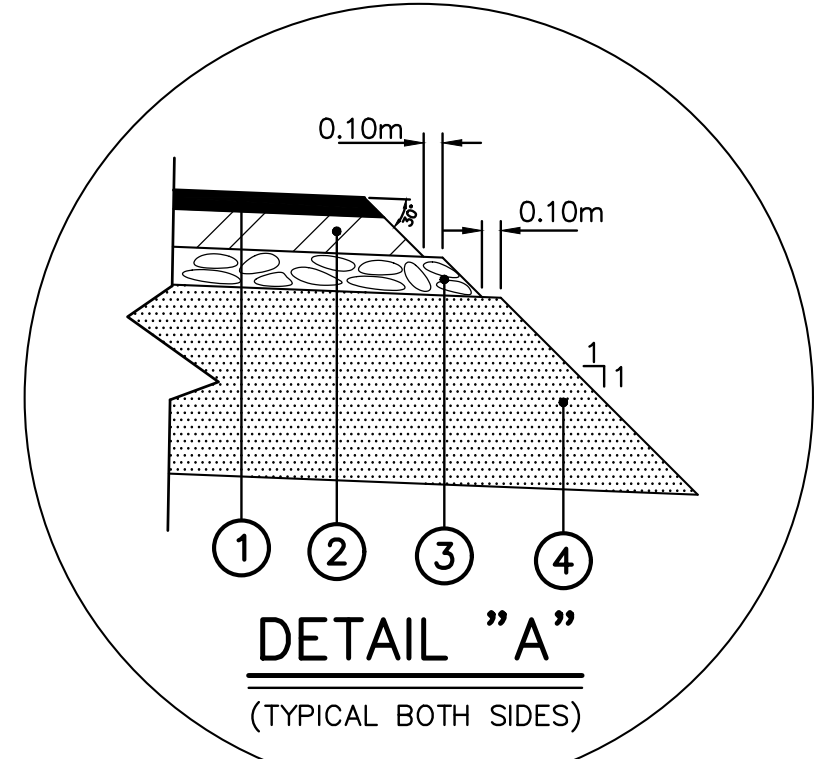


**TYPICAL SECTION**

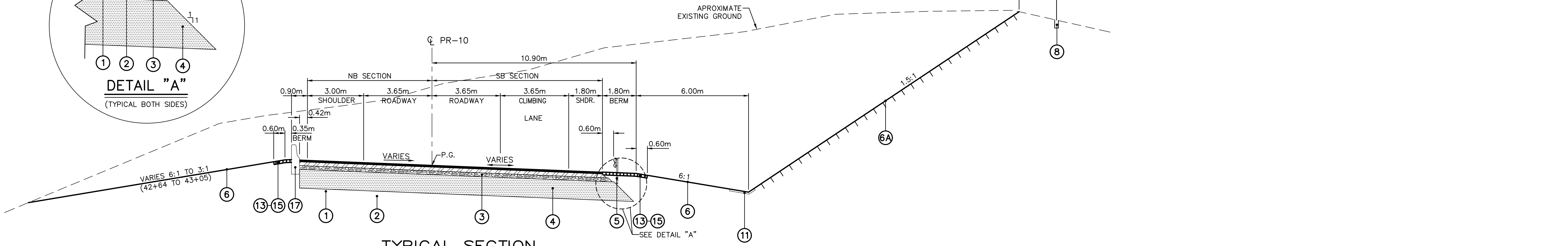
SCALE = 1:100  
FROM STA. 40+12(10) TO STA. 40+57.76(10)(ROLLOVER ENDS AT STA. 40+90(10))

**TYPICAL SECTION**

SCALE = 1:100  
FROM STA. 40+57.76(10) TO STA. 41+01.38(10)



**DETAIL "A"**  
(TYPICAL BOTH SIDES)

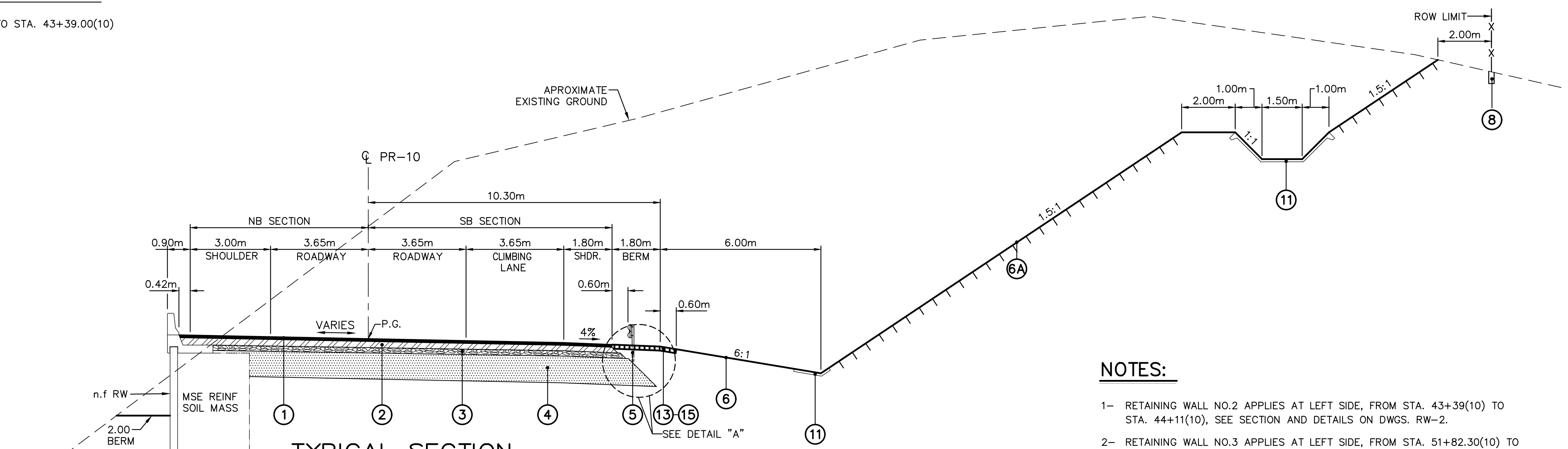


**TYPICAL SECTION**

SCALE = 1:100  
FROM STA. 42+64(10) TO STA. 43+39.00(10)

**LEGEND:**

- ( 1 ) 0.05m WARM MIX ASPHALT- SUPERPAVE (SPS) (SPEC. SP964)
- (1A) 0.05m HOT PLANT MIX BITUMINOUS SURFACE PAVEMENT, MIX S(75)(12) (SPEC. 401)
- ( 2 ) 0.15m WARM MIX ASPHALT- SUPERPAVE (SPB) (SPEC. SP964)
- (2A) 0.10m HOT PLANT MIX BITUMINOUS SURFACE PAVEMENT, MIX B(75)(34) (SPEC. 401)
- ( 3 ) 0.15m AGGREGATE BASE COURSE, GRADING "A" (SPEC. 304)
- (3A) 0.10m AGGREGATE BASE COURSE, GRADING "A" (SPEC. 304)
- ( 4 ) 1.00m SUBBASE COURSE (SPEC. 301)
- ( 5 ) NEW SINGLE FACE GUARDRAIL (SPEC 606) (SEE GF'S SERIES SHEETS)
- ( 6 ) TURF ESTABLISHMENT (SEEDING WITH MULCH) (SPEC. 627)
- ( 6A ) PERMANENT EROSION CONTROL MAT (SPEC 835) (SEE DR/23 FOR DETAILS)
- ( 7 ) FILL BENCHES
- ( 8 ) BARBED WIRE OR CHAIN LINK FENCE (SPEC. 607) (SEE GF'S SERIES SHEETS)
- ( 9 ) CONCRETE CURB TYPE "D" (SPEC.609)
- ( 10 ) DRAINAGE CHANNEL (DIMENSIONS AND LOCATION AS NOTED ON DR'S SERIES SHEETS)
- ( 11 ) CPW (SPEC. 617) (TYPE AND LOCATION AS NOTED ON DR'S SERIES SHEETS)
- ( 12 ) INTENTIONALLY OMITTED
- ( 13 ) 0.10m LOAMY TOPSOIL (SPEC.625)
- ( 14 ) 0.15m BORROW CLASS "D" (SPEC. 203)
- ( 15 ) SODDING (SPEC. 628)
- ( 16 ) BORROW CLASS "B" (SPEC. 203)
- ( 17 ) CONCRETE BARRIER TYPE "C" (SPEC. 610)



**TYPICAL SECTION**

SCALE = 1:100  
FROM STA. 43+61.22(10) TO STA. 44+71(10) (SEE NOTE 1 )  
FROM STA. 51+86.59(10) TO STA. 52+58.88(10) (SEE NOTE 2 )  
FROM STA. 52+66.91(10) TO STA. 54+38.76(10) (SEE NOTE 4 )

**NOTES:**

- 1- RETAINING WALL NO.2 APPLIES AT LEFT SIDE, FROM STA. 43+39(10) TO STA. 44+11(10), SEE SECTION AND DETAILS ON DWGS. RW-2.
- 2- RETAINING WALL NO.3 APPLIES AT LEFT SIDE, FROM STA. 51+82.30(10) TO STA. 52+37(10), SEE SECTION AND DETAILS ON DWGS. RW-3.
- 3- SUPERELEVATION AT SHOULDERS IN LINE 10, WILL BE EQUAL TO SUPERELEVATION OF PR-10.
- 3- SEE EARTHWORK NOTES ON SHEET GR-5.

WORK	DATE
DESIGN	
DRAWING	
TRACED	
CHECK	
FINAL CHECK	

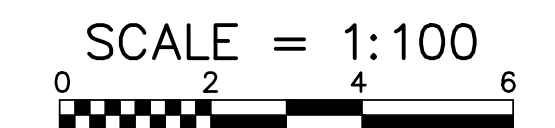
B. & H. FILE: G:\PROJECT\FINAL\PR-10\_sect-II\Civil\PR10C-2\_gr4-f.dwg

**PUERTO RICO HIGHWAY & TRANSPORTATION AUTHORITY**



**HIGHWAY PR-10**  
UTUADO TO ADJUNTAS (SECTION II)  
FROM STA 39+78.73(10) TO STA 55+50.36(10)

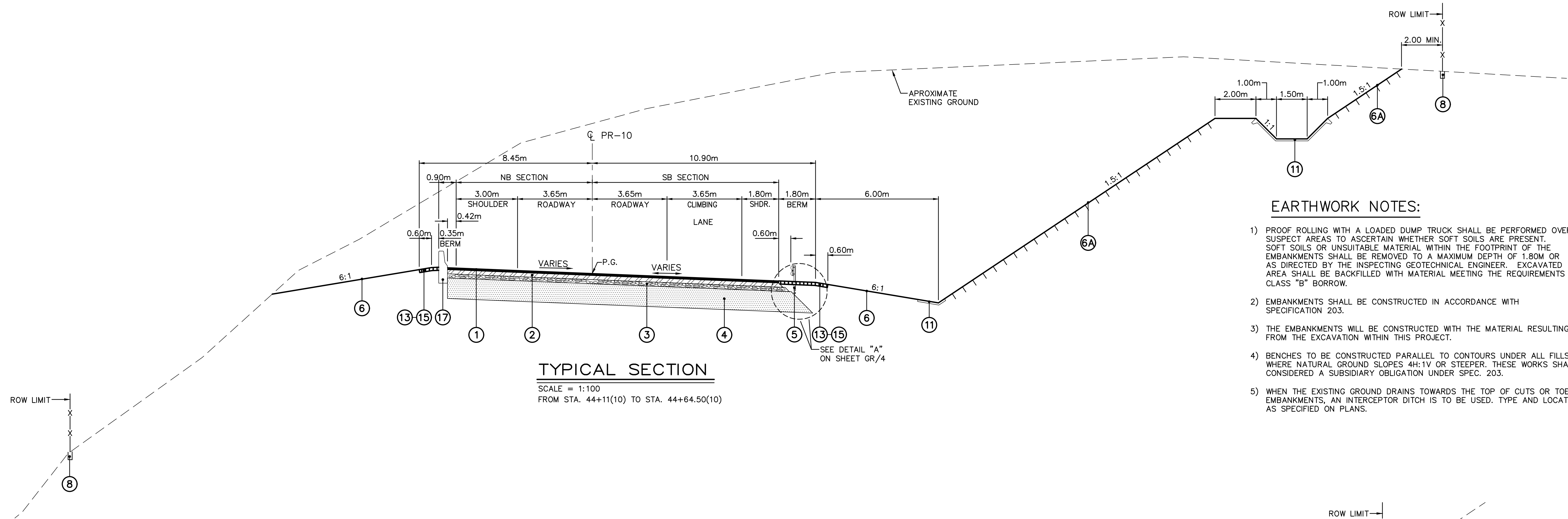
DATE	REVISION



**TYPICAL SECTIONS**  
LINE-10

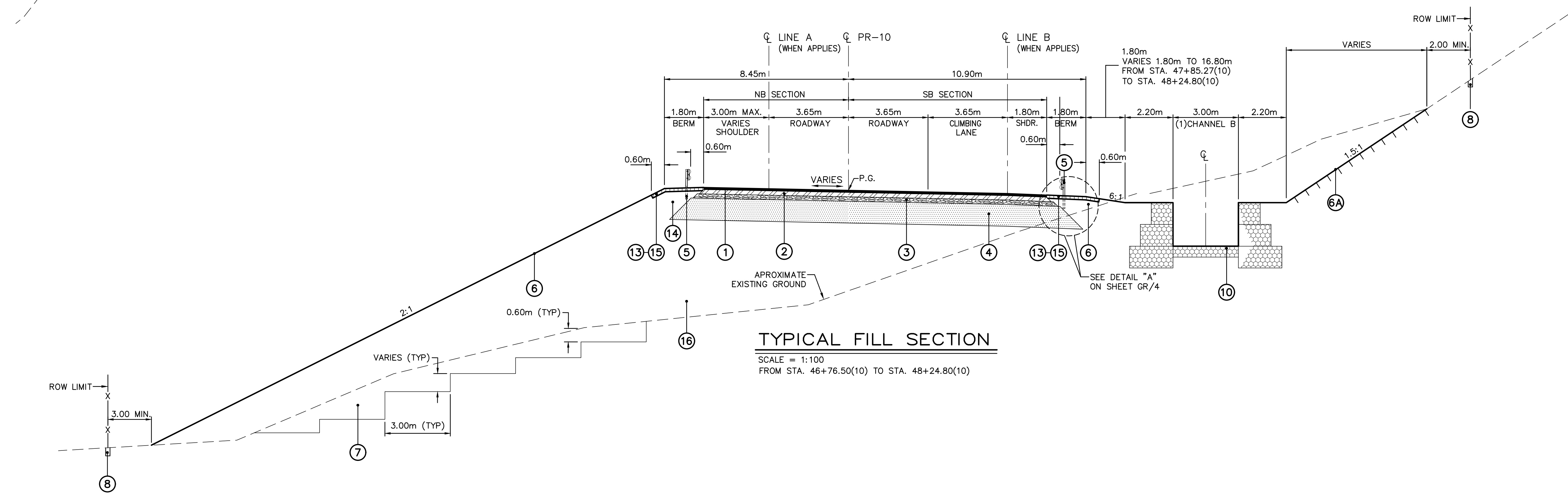
GR  
4

A.C. PROJECT CODE NO.	HIGHWAY	MUNICIPALITY	ISLAND	FISCAL YEAR	SHEET NO.	TOTAL SHEETS
AC-100069 R000010169	PR-10	UTUADO	P.R.	2021	5	247



**EARTHWORK NOTES:**

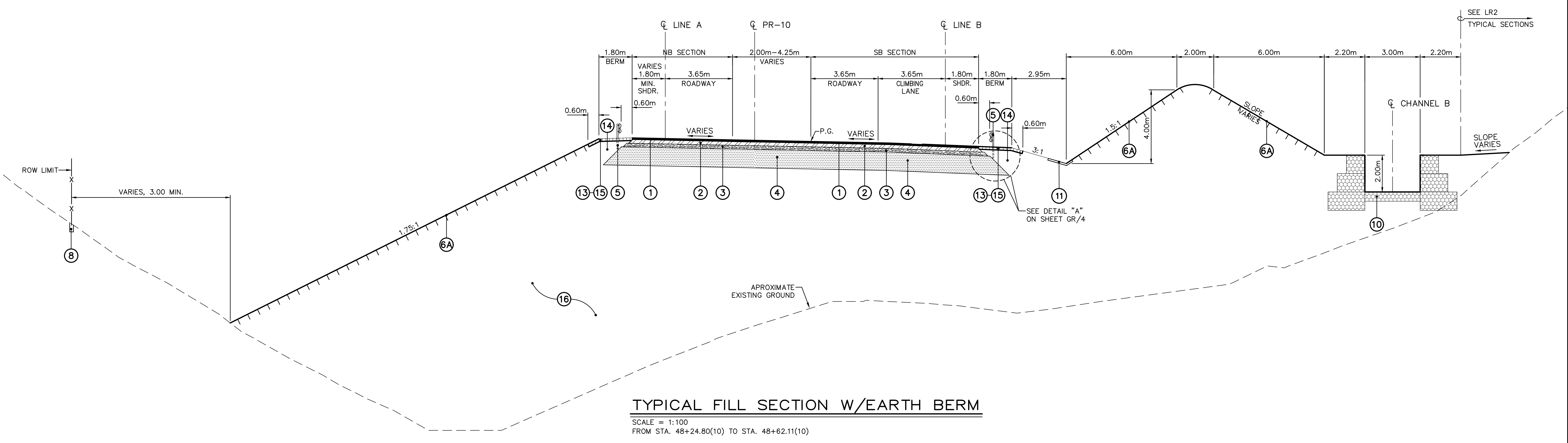
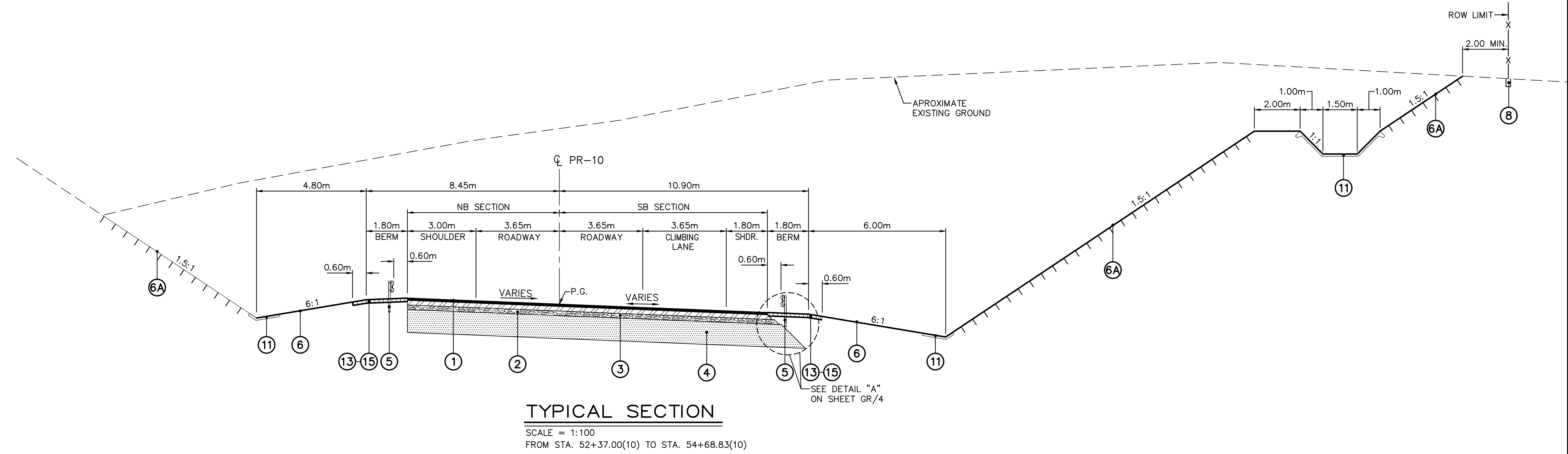
- 1) PROOF ROLLING WITH A LOADED DUMP TRUCK SHALL BE PERFORMED OVER SUSPECT AREAS TO ASCERTAIN WHETHER SOFT SOILS ARE PRESENT. SOFT SOILS OR UNSUITABLE MATERIAL WITHIN THE FOOTPRINT OF THE EMBANKMENTS SHALL BE REMOVED TO A MAXIMUM DEPTH OF 1.80M OR AS DIRECTED BY THE INSPECTING GEOTECHNICAL ENGINEER. EXCAVATED AREA SHALL BE BACKFILLED WITH MATERIAL MEETING THE REQUIREMENTS OF CLASS "B" BORROW.
- 2) EMBANKMENTS SHALL BE CONSTRUCTED IN ACCORDANCE WITH SPECIFICATION 203.
- 3) THE EMBANKMENTS WILL BE CONSTRUCTED WITH THE MATERIAL RESULTING FROM THE EXCAVATION WITHIN THIS PROJECT.
- 4) BENCHES TO BE CONSTRUCTED PARALLEL TO CONTOURS UNDER ALL FILLS WHERE NATURAL GROUND SLOPES 4H:1V OR STEEPER. THESE WORKS SHALL BE CONSIDERED A SUBSIDIARY OBLIGATION UNDER SPEC. 203.
- 5) WHEN THE EXISTING GROUND DRAINS TOWARDS THE TOP OF CUTS OR TOE OF EMBANKMENTS, AN INTERCEPTOR DITCH IS TO BE USED. TYPE AND LOCATION AS SPECIFIED ON PLANS.



WORK	DATE
DESIGN	
DRAWING	
TRACED	
CHECK	
FINAL CHECK	

B. & H. FILE: G:\PROJECT\FINAL\PR-10\_sect-II\Civil\PR10C-2\_gr5\_f.dwg

A.C. PROJECT CODE NO.	HIGHWAY	MUNICIPALITY	ISLAND	FISCAL YEAR	SHEET NO.	TOTAL SHEETS
AC-100069 R000010169	PR-10	UTUADO	P.R.	2021	6	247



B. & H. FILE: G:\PROJECT\FINAL\PR-10\_sect-II\Civil\PR10C-2\_gr5A\_1.dwg

WORK	DATE
DESIGN	
DRAWING	
TRACED	
CHECK	
FINAL CHECK	

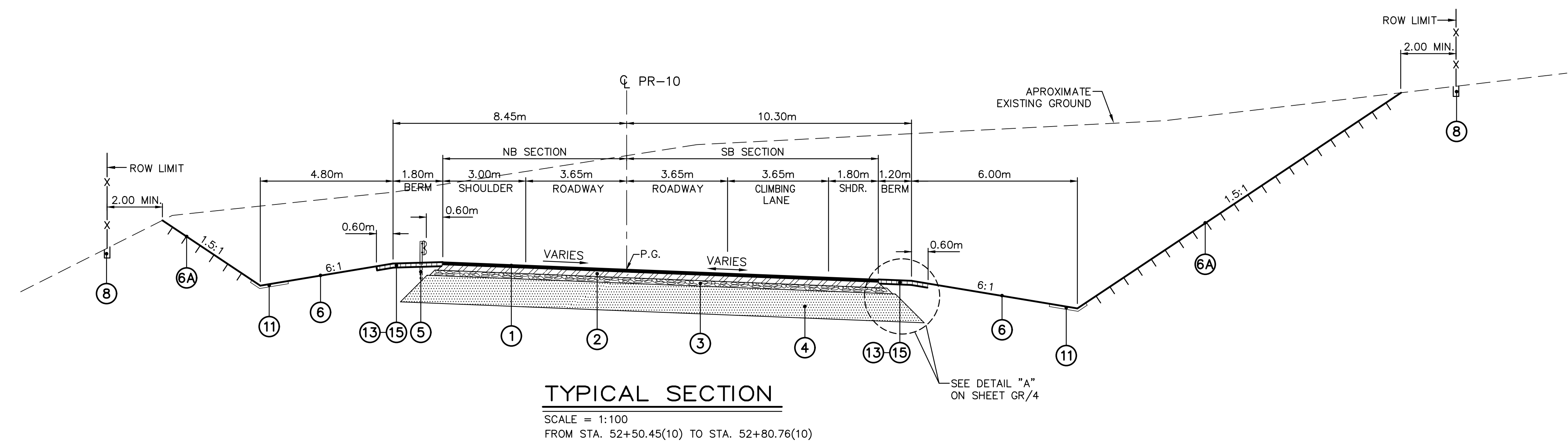
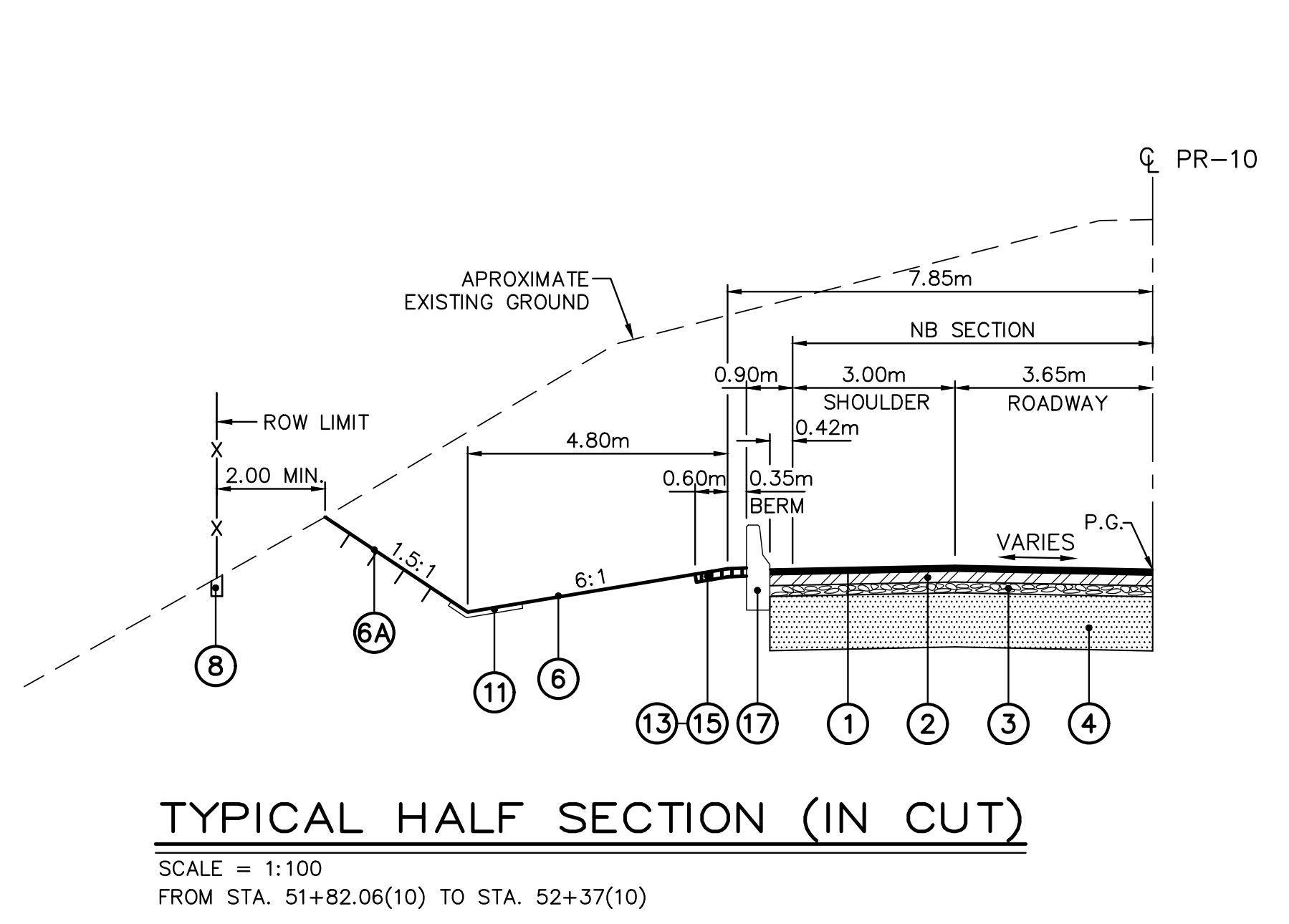
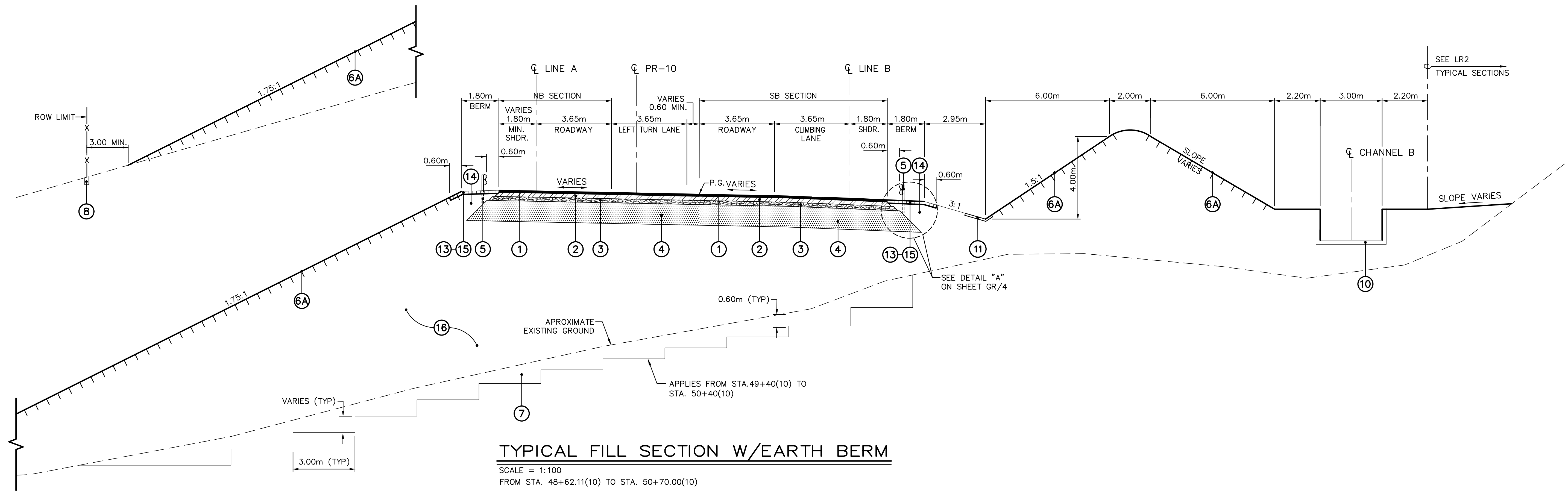


DATE	REVISION





A.C. PROJECT CODE NO.	HIGHWAY	MUNICIPALITY	ISLAND	FISCAL YEAR	SHEET NO.	TOTAL SHEETS
AC-100069 R000010169	PR-10	UTUADO	P.R.	2021	7	247



WORK	DATE
DESIGN	
DRAWING	
TRACED	
CHECK	
FINAL CHECK	

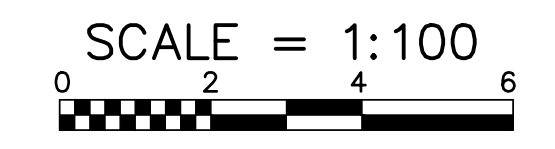
B. & H. FILE: G:\PROJECT\FINAL\PR-10\_sect-II\Civil\PR10C-2\_gr6\_f.dwg

**PUERTO RICO HIGHWAY & TRANSPORTATION AUTHORITY**



**HIGHWAY PR-10**  
UTUADO TO ADJUNTAS (SECTION II)  
FROM STA 39+78.73(10) TO STA 55+50.36(10)

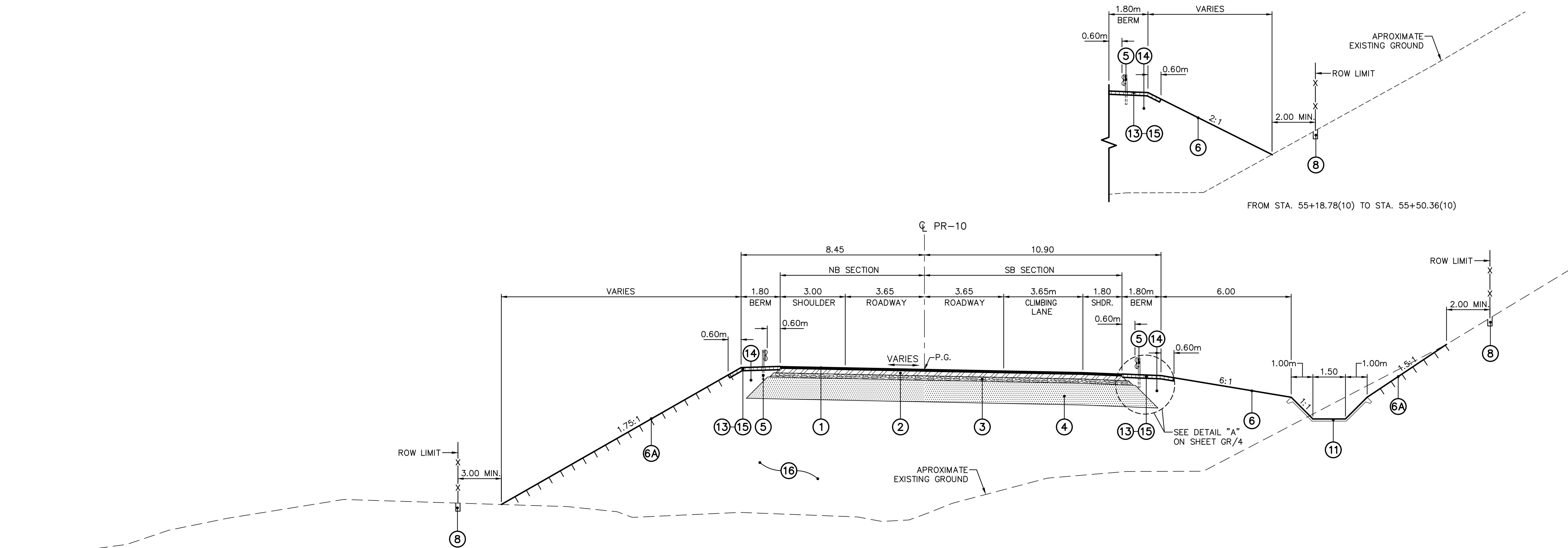
DATE	REVISION



**TYPICAL SECTIONS**  
LINE-10

GR  
6

A.C. PROJECT CODE NO.	HIGHWAY	MUNICIPALITY	ISLAND	FISCAL YEAR	SHEET NO.	TOTAL SHEETS
AC-100069 R000010169	PR-10	UTUADO	P.R.	2021	8	247



**TYPICAL FILL SECTION**

SCALE = 1:100  
FROM STA. 54+38.48(10) TO STA. 55+18.78(10)

WORK	DATE
DESIGN	
DRAWING	
TRACED	
CHECK	
FINAL CHECK	

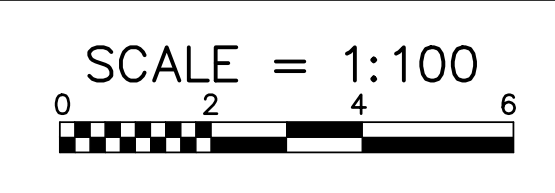
B. & H. FILE: G:\PROJECT\FINAL\PR-10\_sect-II\Civil\PR10C-2\_gr7\_f.dwg

**PUERTO RICO HIGHWAY & TRANSPORTATION AUTHORITY**



**HIGHWAY PR-10**  
UTUADO TO ADJUNTAS (SECTION II)  
FROM STA 39+78.73(10) TO STA 55+50.36(10)

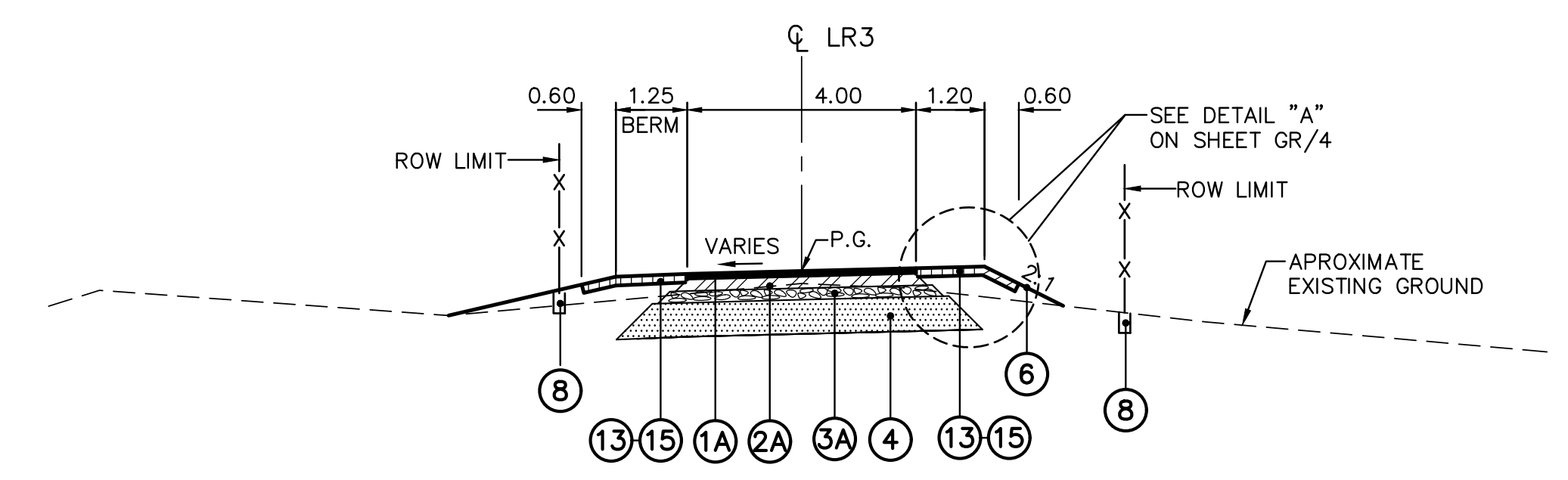
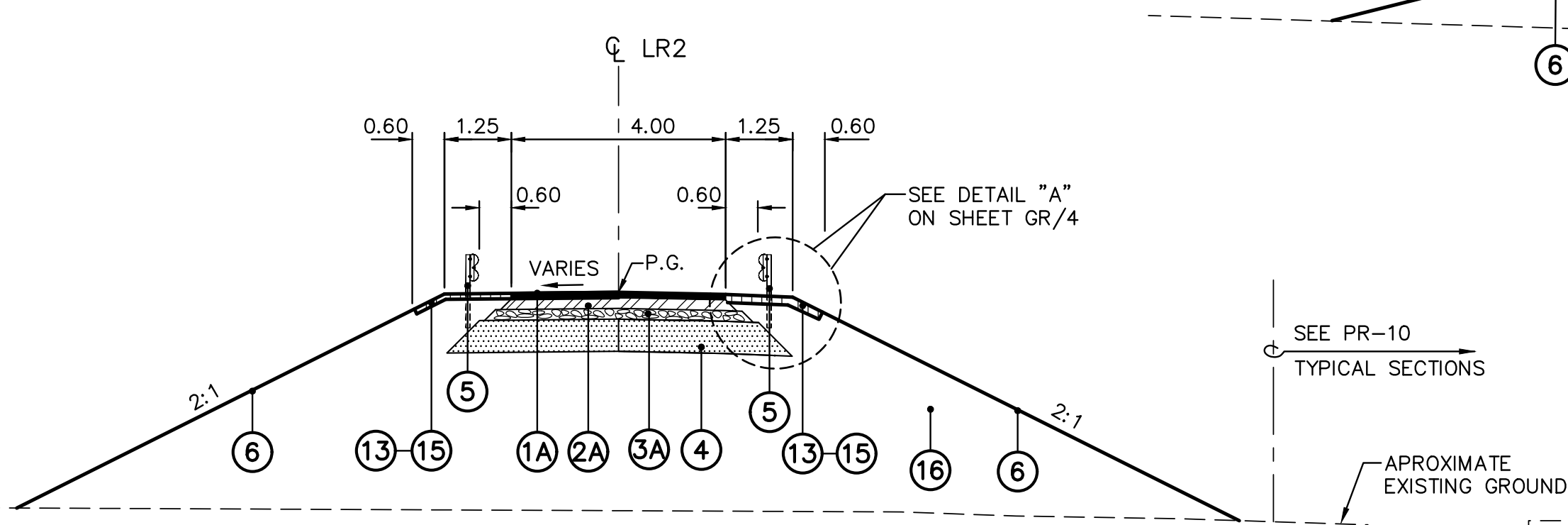
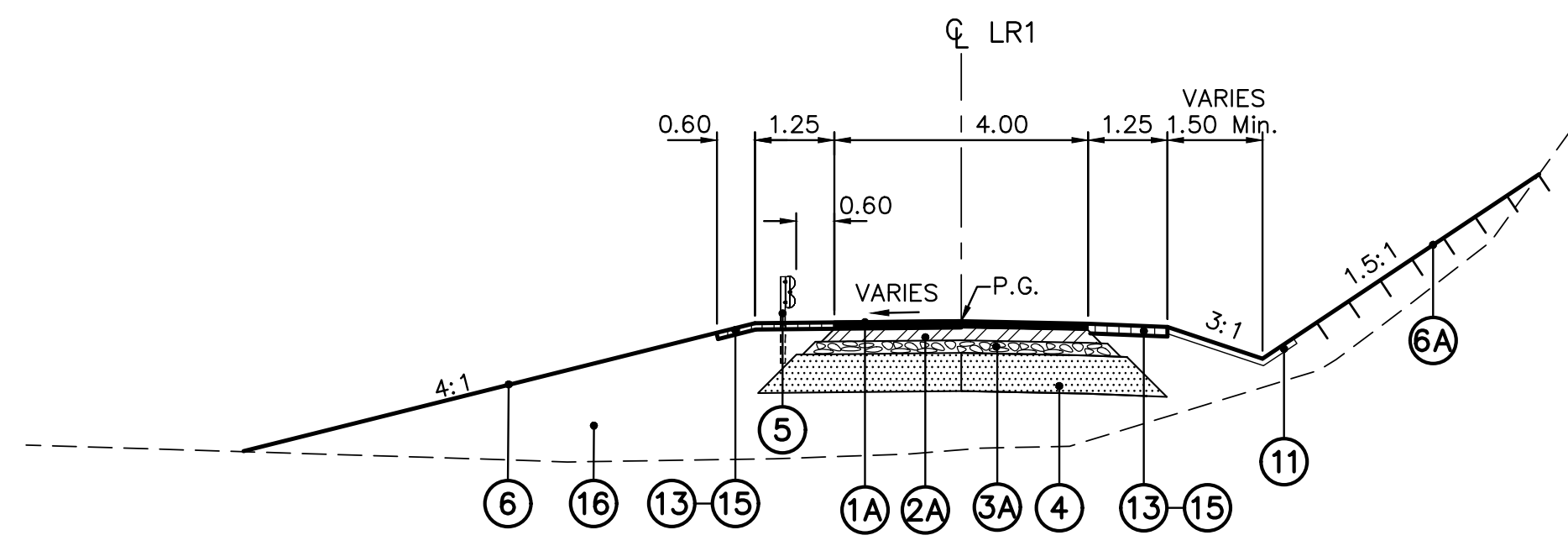
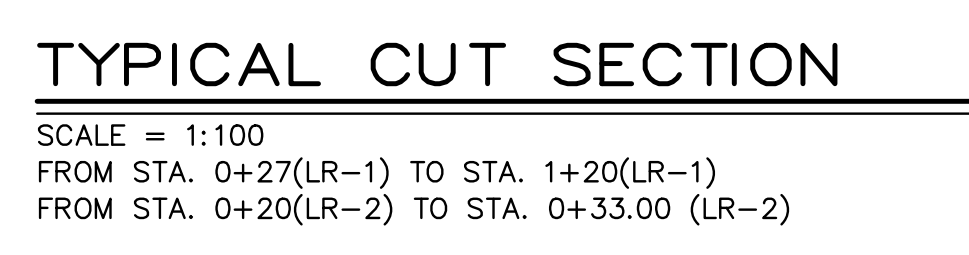
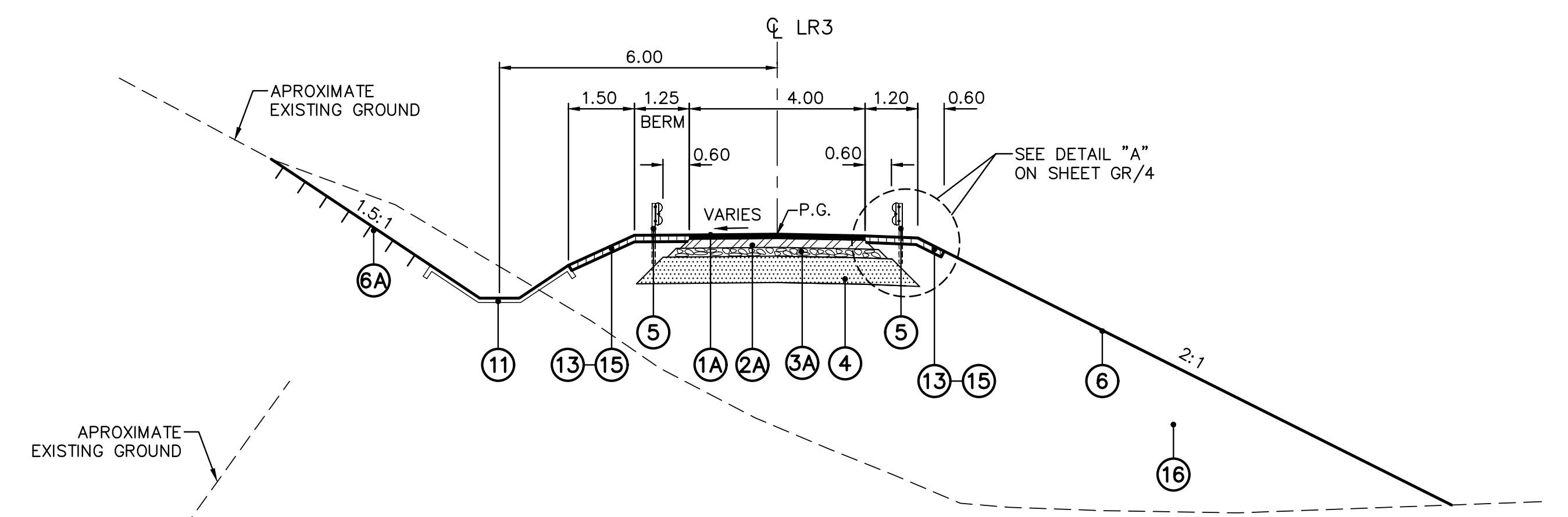
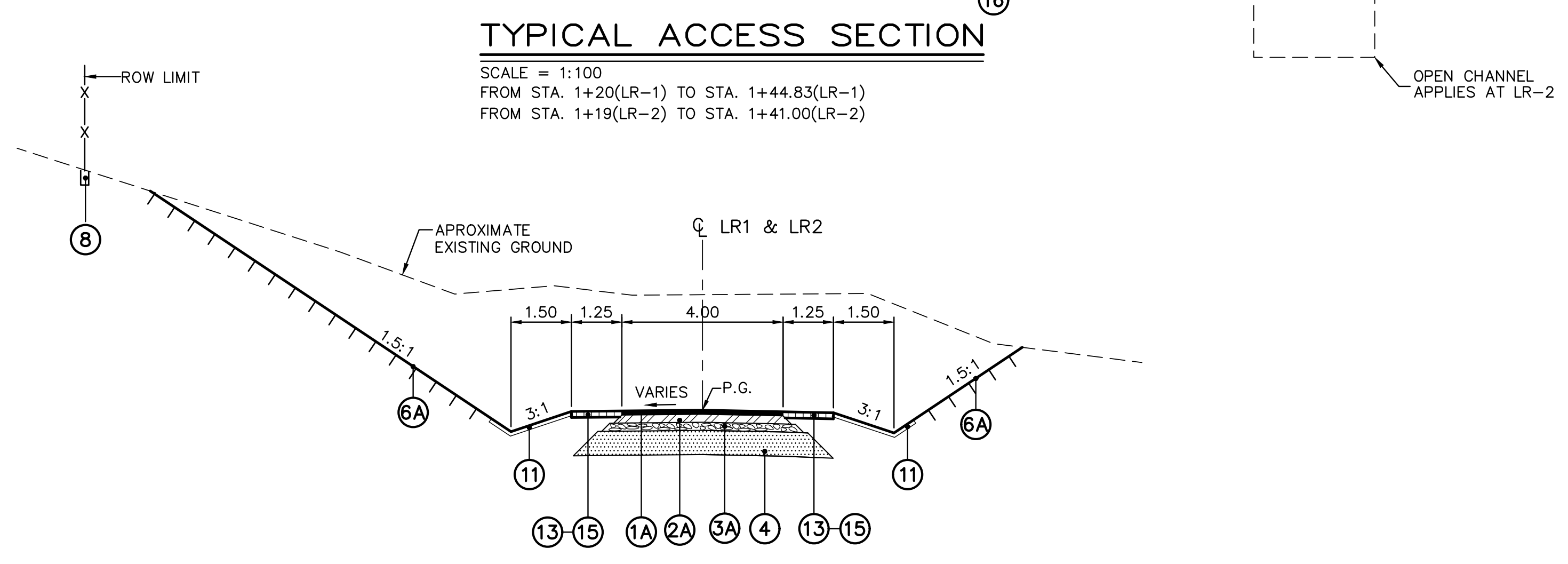
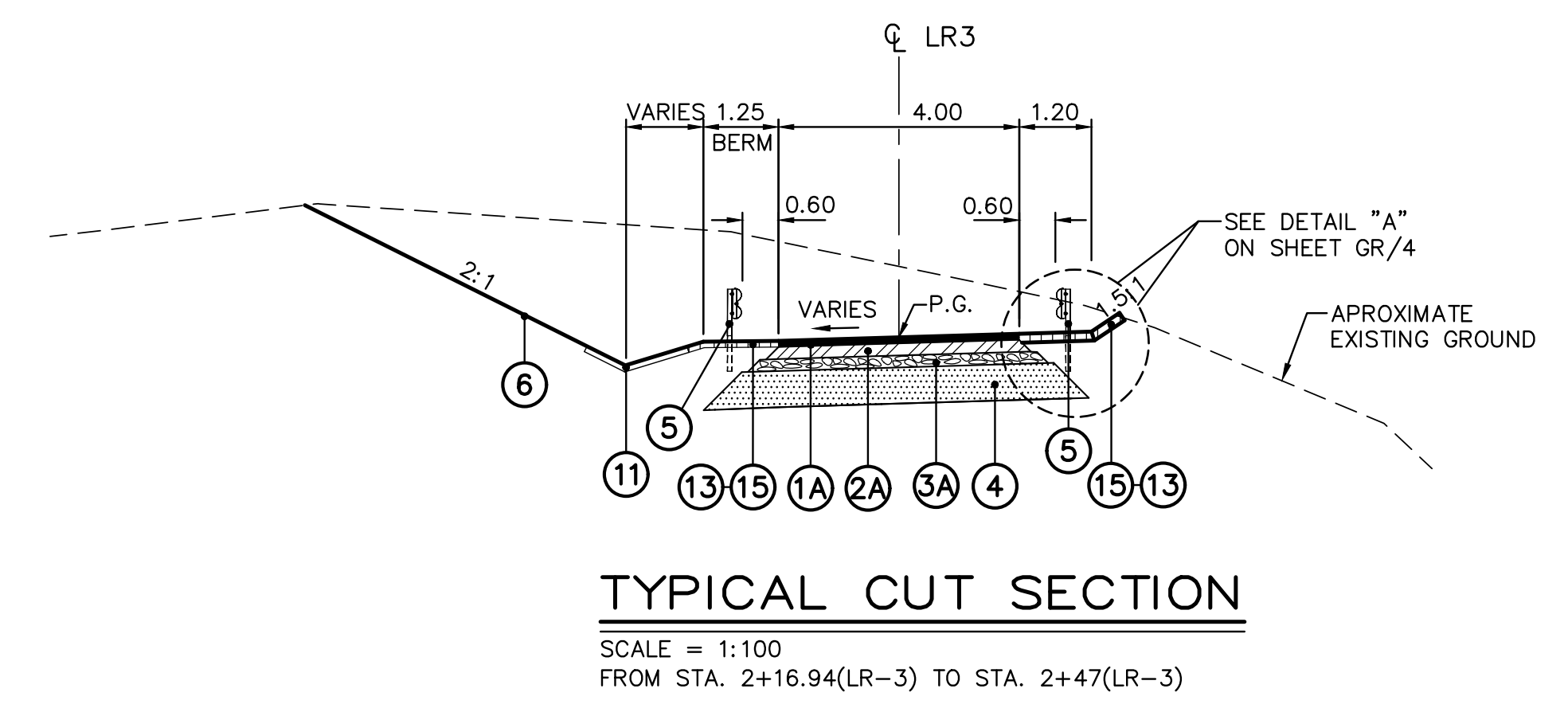
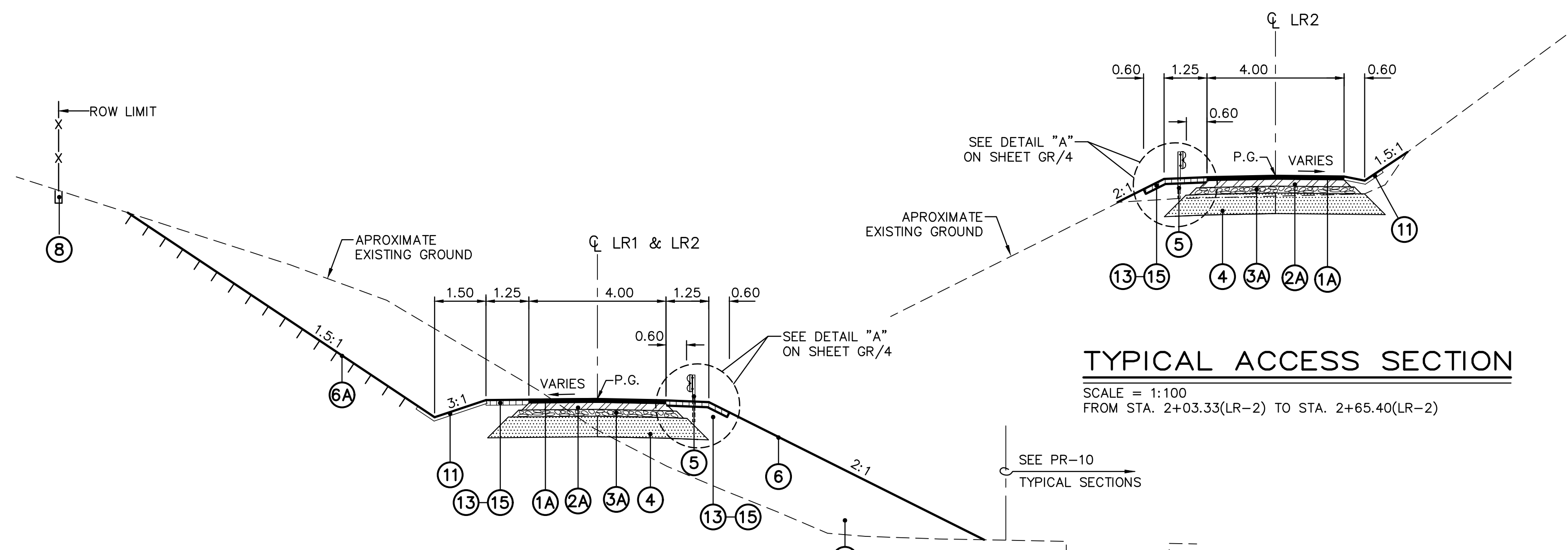
DATE	REVISION



**TYPICAL SECTIONS**  
LINE-10

GR  
7

A.C. PROJECT CODE NO.	HIGHWAY	MUNICIPALITY	ISLAND	FISCAL YEAR	SHEET NO.	TOTAL SHEETS
AC-100069 R000010169	PR-10	UTUADO	P.R.	2021	9	247



WORK	DATE
DESIGN	
DRAWING	
TRACED	
CHECK	
FINAL CHECK	

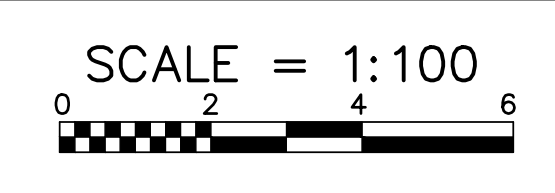
B. & H. FILE: G:\PROJECT\FINAL\PR-10\_sect-II\Civil\PR10C-2\_gr8\_f.dwg

PUERTO RICO HIGHWAY & TRANSPORTATION AUTHORITY



**HIGHWAY PR-10**  
UTUADO TO ADJUNTAS (SECTION II)  
FROM STA 39+78.73(10) TO STA 55+50.36(10)

DATE	REVISION

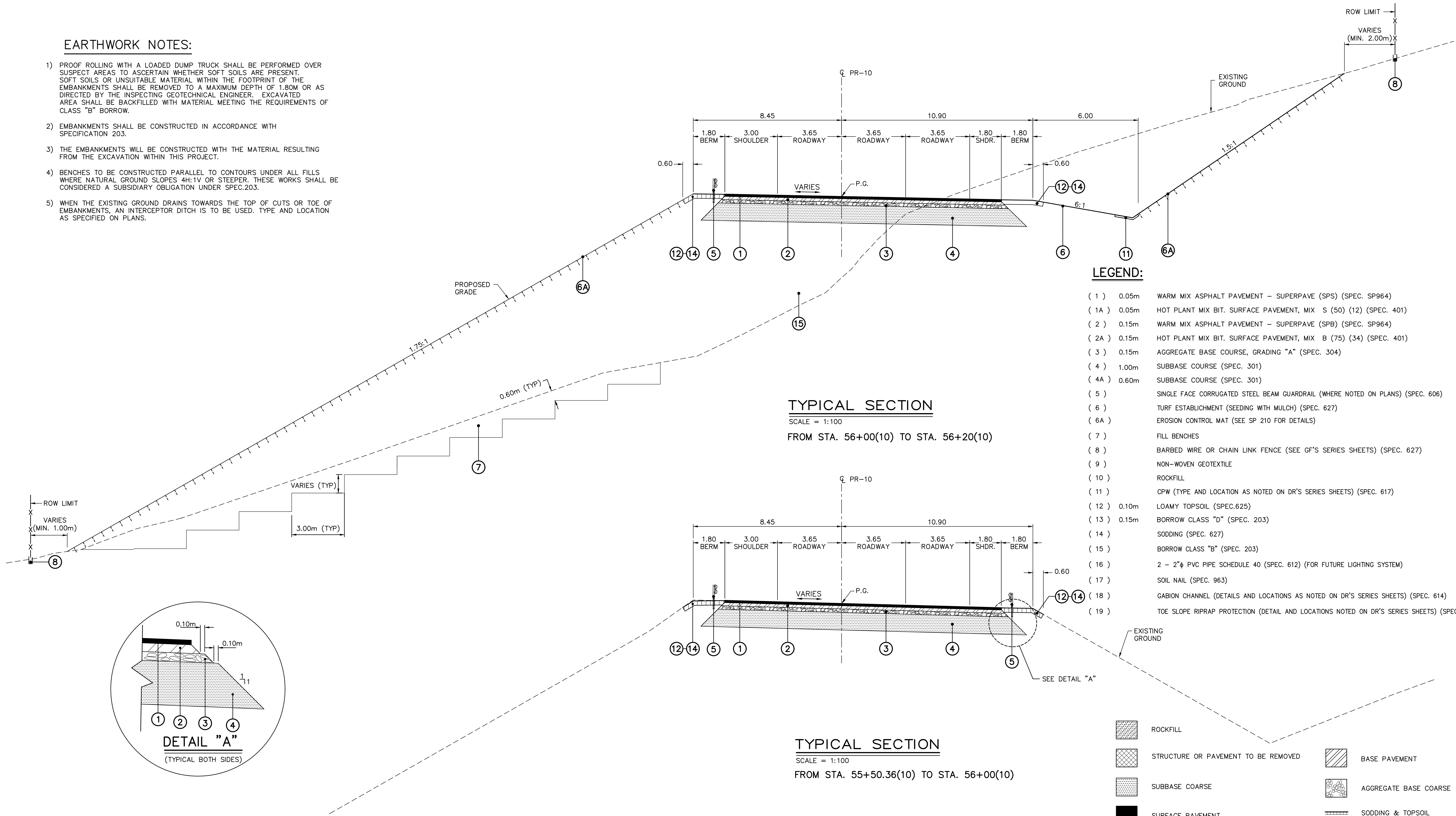


**TYPICAL SECTIONS**  
LINES LR-1, LR-2 AND LR-3

A.C. PROJECT CODE NO.	HIGHWAY	MUNICIPALITY	ISLAND	FISCAL YEAR	SHEET NO.	TOTAL SHEETS
AC-100071	PR-10	UTUADO ADJUNTAS	P.R.	2021	4	270

**EARTHWORK NOTES:**

- 1) PROOF ROLLING WITH A LOADED DUMP TRUCK SHALL BE PERFORMED OVER SUSPECT AREAS TO ASCERTAIN WHETHER SOFT SOILS ARE PRESENT. SOFT SOILS OR UNSUITABLE MATERIAL WITHIN THE FOOTPRINT OF THE EMBANKMENTS SHALL BE REMOVED TO A MAXIMUM DEPTH OF 1.80M OR AS DIRECTED BY THE INSPECTING GEOTECHNICAL ENGINEER. EXCAVATED AREA SHALL BE BACKFILLED WITH MATERIAL MEETING THE REQUIREMENTS OF CLASS "B" BORROW.
- 2) EMBANKMENTS SHALL BE CONSTRUCTED IN ACCORDANCE WITH SPECIFICATION 203.
- 3) THE EMBANKMENTS WILL BE CONSTRUCTED WITH THE MATERIAL RESULTING FROM THE EXCAVATION WITHIN THIS PROJECT.
- 4) BENCHES TO BE CONSTRUCTED PARALLEL TO CONTOURS UNDER ALL FILLS WHERE NATURAL GROUND SLOPES 4H:1V OR STEEPER. THESE WORKS SHALL BE CONSIDERED A SUBSIDIARY OBLIGATION UNDER SPEC.203.
- 5) WHEN THE EXISTING GROUND DRAINS TOWARDS THE TOP OF CUTS OR TOE OF EMBANKMENTS, AN INTERCEPTOR DITCH IS TO BE USED. TYPE AND LOCATION AS SPECIFIED ON PLANS.



**LEGEND:**

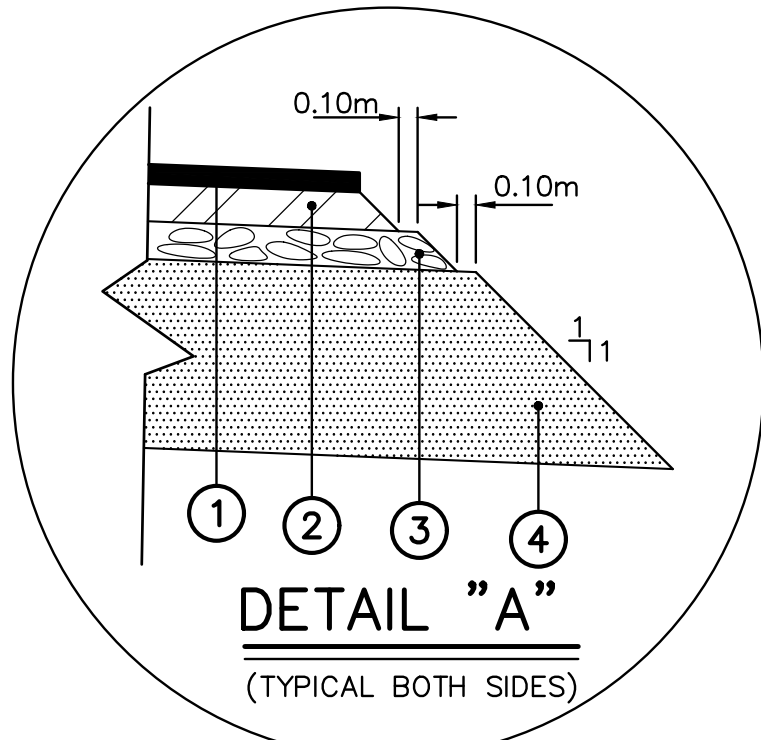
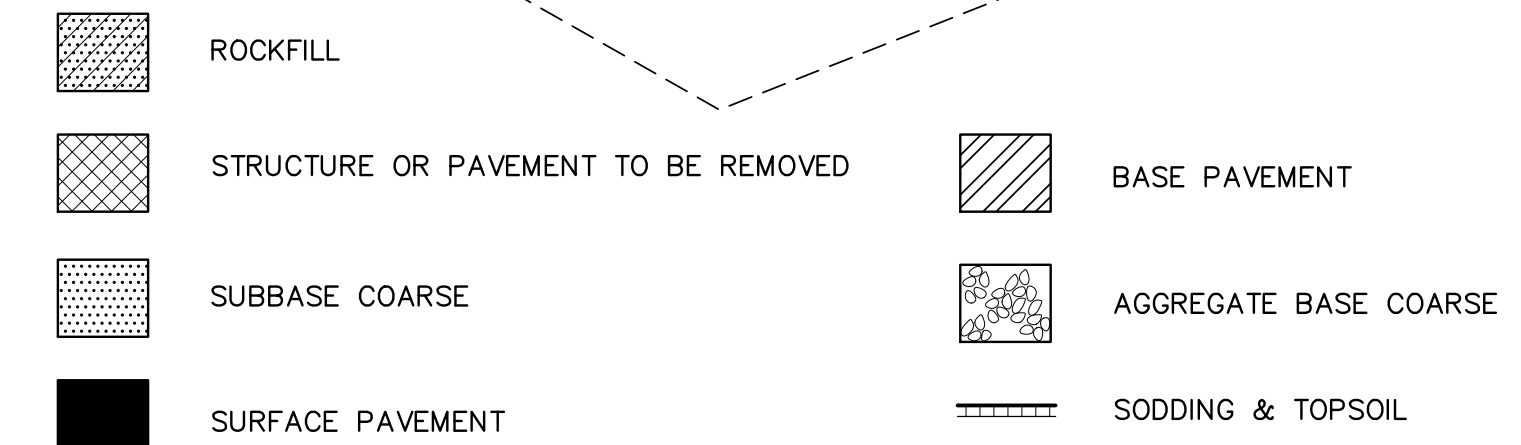
- ( 1 ) 0.05m WARM MIX ASPHALT PAVEMENT – SUPERPAVE (SPS) (SPEC. SP964)
- ( 1A ) 0.05m HOT PLANT MIX BIT. SURFACE PAVEMENT, MIX S (50) (12) (SPEC. 401)
- ( 2 ) 0.15m WARM MIX ASPHALT PAVEMENT – SUPERPAVE (SPB) (SPEC. SP964)
- ( 2A ) 0.15m HOT PLANT MIX BIT. SURFACE PAVEMENT, MIX B (75) (34) (SPEC. 401)
- ( 3 ) 0.15m AGGREGATE BASE COURSE, GRADING "A" (SPEC. 304)
- ( 4 ) 1.00m SUBBASE COURSE (SPEC. 301)
- ( 4A ) 0.60m SUBBASE COURSE (SPEC. 301)
- ( 5 ) SINGLE FACE CORRUGATED STEEL BEAM GUARDRAIL (WHERE NOTED ON PLANS) (SPEC. 606)
- ( 6 ) TURF ESTABLISHMENT (SEEDING WITH MULCH) (SPEC. 627)
- ( 6A ) EROSION CONTROL MAT (SEE SP 210 FOR DETAILS)
- ( 7 ) FILL BENCHES
- ( 8 ) BARBED WIRE OR CHAIN LINK FENCE (SEE GF'S SERIES SHEETS) (SPEC. 627)
- ( 9 ) NON-WOVEN GEOTEXTILE
- ( 10 ) ROCKFILL
- ( 11 ) CPW (TYPE AND LOCATION AS NOTED ON DR'S SERIES SHEETS) (SPEC. 617)
- ( 12 ) 0.10m LOAMY TOPSOIL (SPEC.625)
- ( 13 ) 0.15m BORROW CLASS "D" (SPEC. 203)
- ( 14 ) SODDING (SPEC. 627)
- ( 15 ) BORROW CLASS "B" (SPEC. 203)
- ( 16 ) 2 - 2" PVC PIPE SCHEDULE 40 (SPEC. 612) (FOR FUTURE LIGHTING SYSTEM)
- ( 17 ) SOIL NAIL (SPEC. 963)
- ( 18 ) GABION CHANNEL (DETAILS AND LOCATIONS AS NOTED ON DR'S SERIES SHEETS) (SPEC. 614)
- ( 19 ) TOE SLOPE RIPRAP PROTECTION (DETAIL AND LOCATIONS NOTED ON DR'S SERIES SHEETS) (SPEC. 622)

**TYPICAL SECTION**

SCALE = 1:100  
FROM STA. 56+00(10) TO STA. 56+20(10)

**TYPICAL SECTION**

SCALE = 1:100  
FROM STA. 55+50.36(10) TO STA. 56+00(10)



WORK	DATE
DESIGN	
DRAWING	
TRACED	
CHECK	
FINAL CHECK	

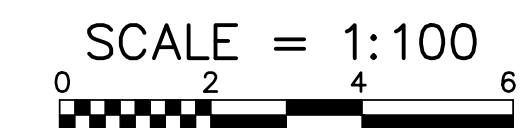
B. & H. FILE: G:\PROJECT\FINAL\PR-10\_sect-III\Civil\pr10c\_sect-3\_gr4.dwg

**PUERTO RICO HIGHWAY & TRANSPORTATION AUTHORITY**



**HIGHWAY PR-10**  
UTUADO TO ADJUNTAS (SECTION III)  
FROM STA. 55+50.36(10) TO STA. 73+90(10)

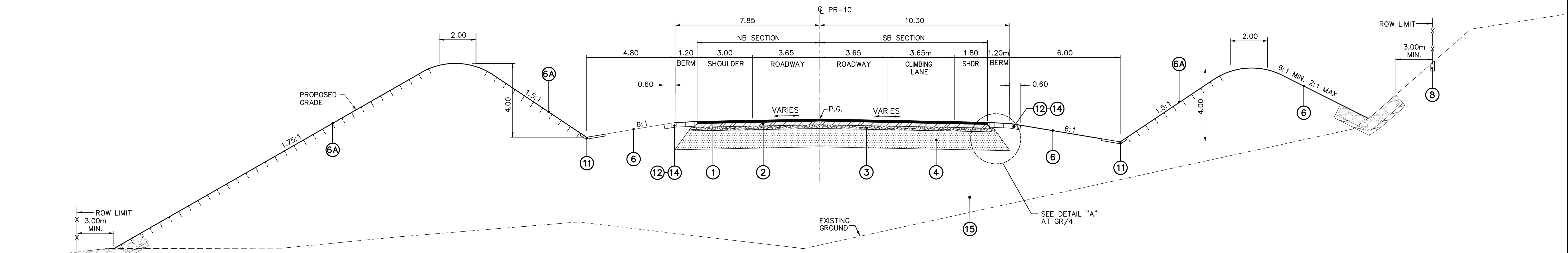
DATE	REVISION
12/14/2022	REVISION OF TYPICAL SECTIONS



**TYPICAL SECTIONS**

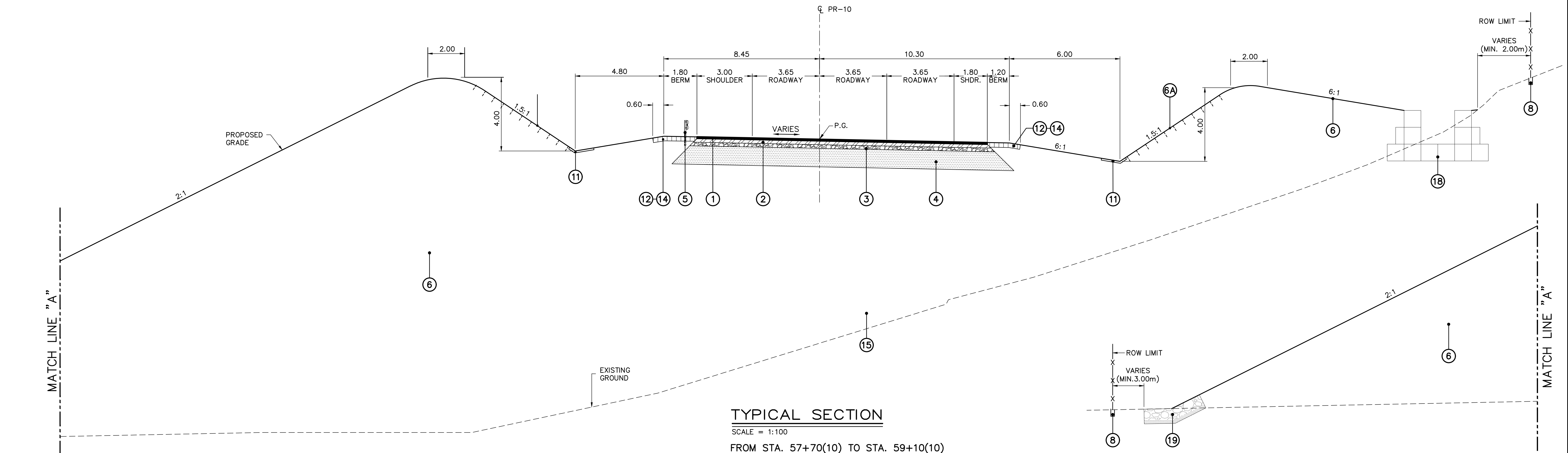
GR  
4

A.C. PROJECT CODE NO.	HIGHWAY	MUNICIPALITY	ISLAND	FISCAL YEAR	SHEET NO.	TOTAL SHEETS
AC-100071	PR-10	UTUADO ADJUNTAS	P.R.	2021	5	270



**TYPICAL FILL SECTION**

SCALE = 1:100  
 FROM STA. 63+90(10) TO STA. 64+98(10)  
 FROM STA. 58+40(10) TO STA. 58+85(10)



**TYPICAL SECTION**

SCALE = 1:100  
 FROM STA. 57+70(10) TO STA. 59+10(10)

WORK	BY	DATE
DESIGN		
DRAWING		
TRACED		
CHECK		
FINAL CHECK		

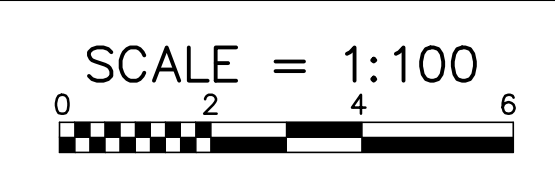
B. & H. FILE: G:\PROJECT\FINAL\PR-10\_sect-III\Civil\pr10c\_sect-3\_gr5.dwg

**PUERTO RICO HIGHWAY & TRANSPORTATION AUTHORITY**



**HIGHWAY PR-10**  
 UTUADO TO ADJUNTAS (SECTION III)  
 FROM STA. 55+50.36(10) TO STA. 73+90(10)

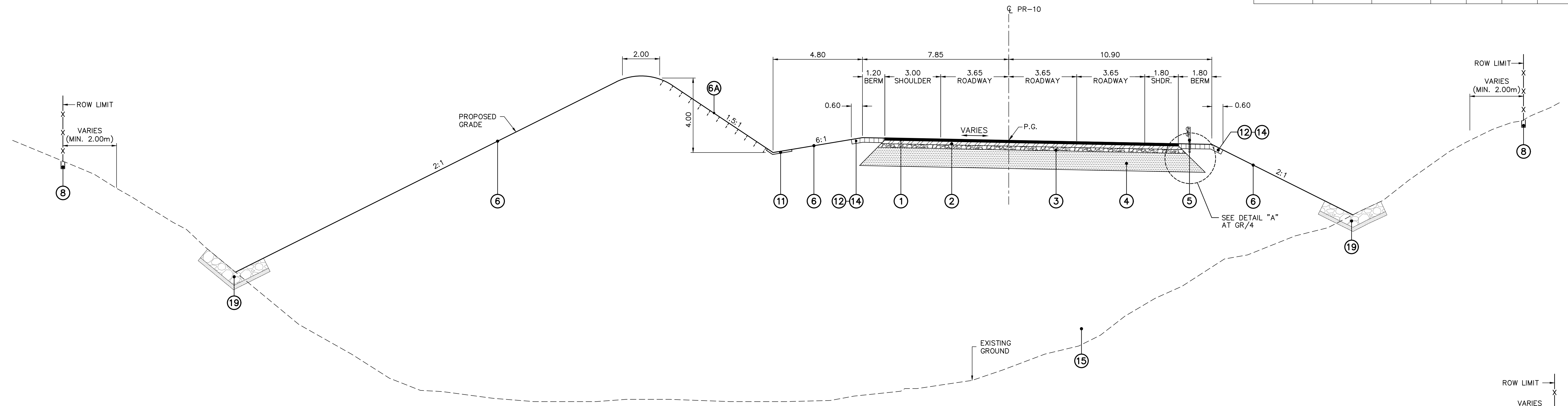
DATE	REVISION
12/14/2022	REVISION OF TYPICAL SECTIONS



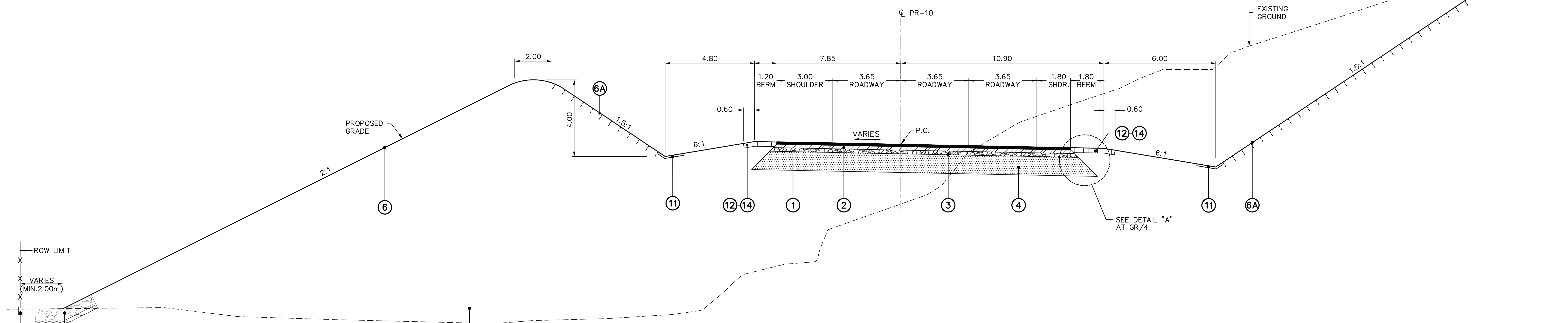
**TYPICAL SECTIONS**

GR  
5

A.C. PROJECT CODE NO.	HIGHWAY	MUNICIPALITY	ISLAND	FISCAL YEAR	SHEET NO.	TOTAL SHEETS
AC-100071	PR-10	UTUADO ADJUNTAS	P.R.	2021	6	270



**TYPICAL SECTION**  
 SCALE = 1:100  
 FROM STA. 60+25(10) TO STA. 60+65(10)



**TYPICAL SECTION**  
 SCALE = 1:100  
 FROM STA. 64+98(10) TO STA. 65+20(10)  
 FROM STA. 58+85(10) TO STA. 60+25(10)

WORK	DATE
DESIGN	
DRAWING	
TRACED	
CHECK	
FINAL CHECK	

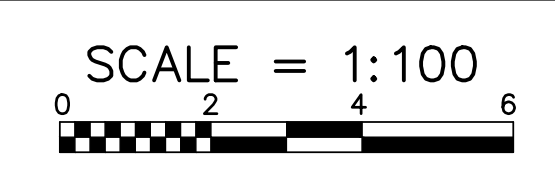
B. & H. FILE: G:\PROJECT\FINAL\PR-10\_sect-III\Civil\pr10c\_sect-3\_grf6.dwg

**PUERTO RICO HIGHWAY & TRANSPORTATION AUTHORITY**



**HIGHWAY PR-10**  
 UTUADO TO ADJUNTAS (SECTION III)  
 FROM STA. 55+50.36(10) TO STA. 73+90(10)

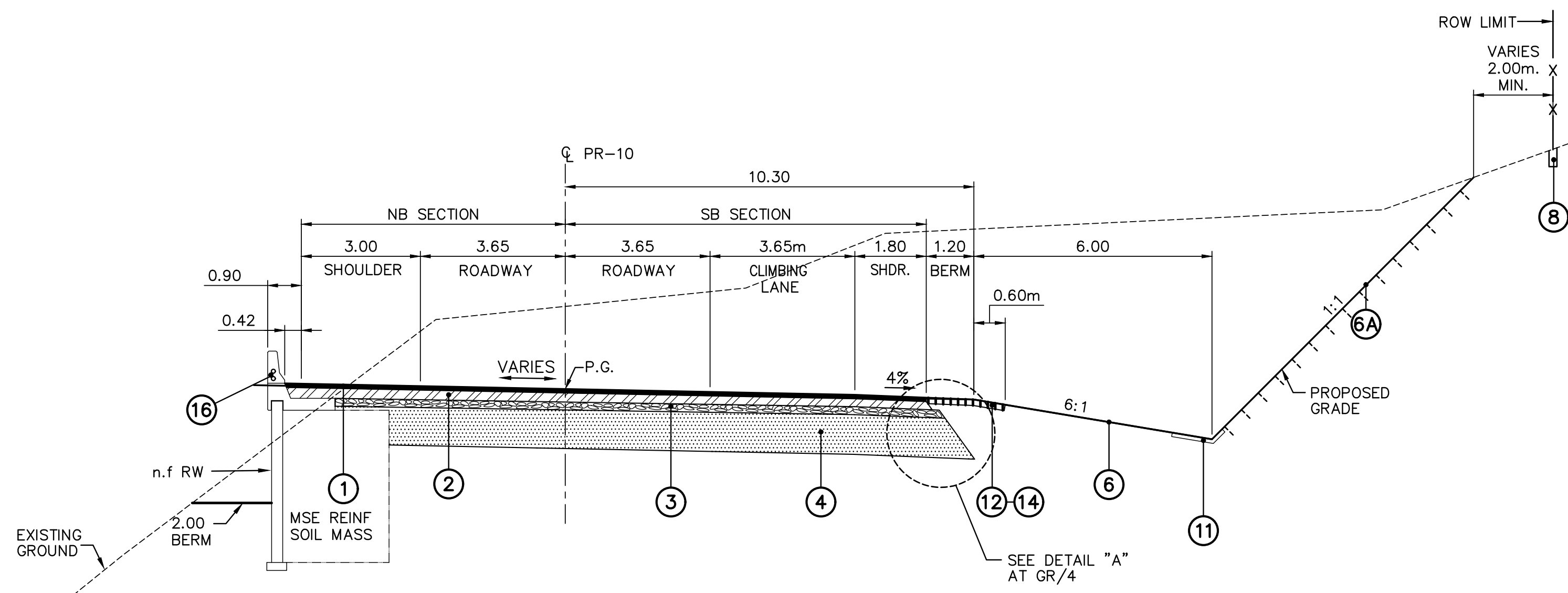
DATE	REVISION
12/14/2022	REVISION OF TYPICAL SECTIONS



**TYPICAL SECTIONS**

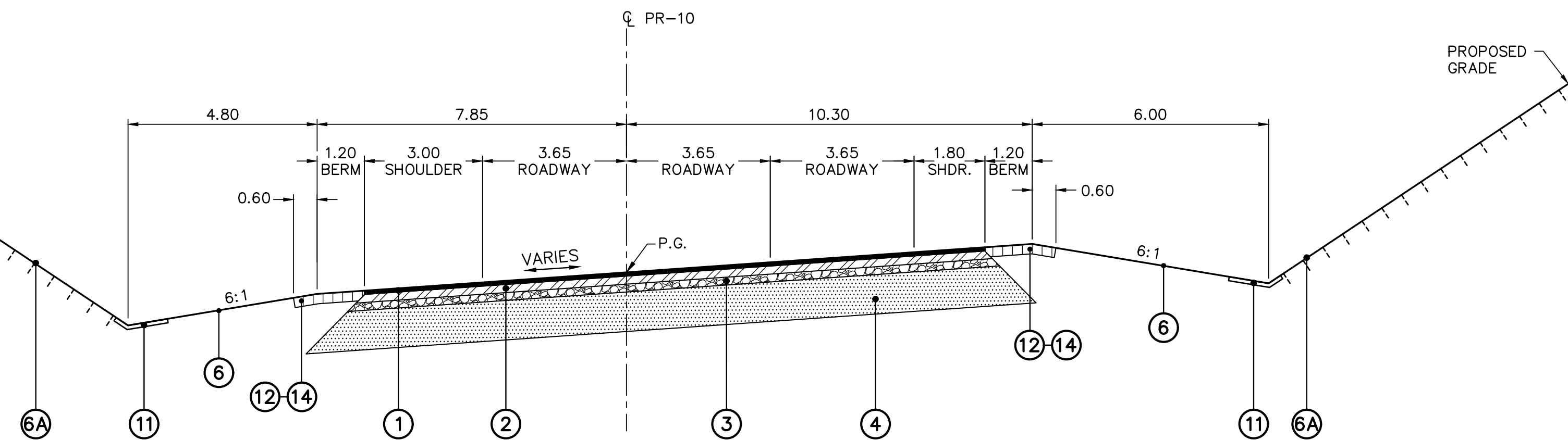
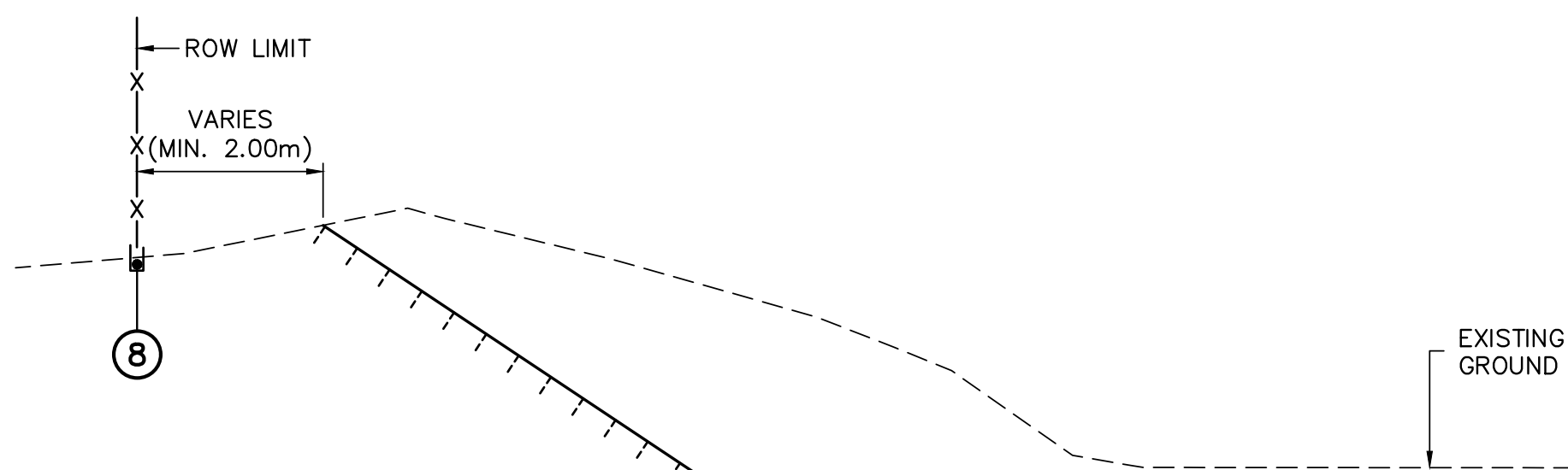
GR  
6

A.C. PROJECT CODE NO.	HIGHWAY	MUNICIPALITY	ISLAND	FISCAL YEAR	SHEET NO.	TOTAL SHEETS
AC-100071	PR-10	UTUADO ADJUNTAS	P.R.	2021	7	270



**TYPICAL SECTION**

SCALE = 1:100  
 FROM STA. 65+78(10) TO STA. 66+15(10)  
 FROM STA. 73+58.72(10) TO STA. 73+93(10)



**TYPICAL SECTION**

SCALE = 1:100  
 FROM STA. 65+20(10) TO STA. 65+78(10)  
 FROM STA. 60+65(10) TO STA. 61+25(10)

WORK	BY	DATE
DESIGN		
DRAWING		
TRACED		
CHECK		
FINAL CHECK		

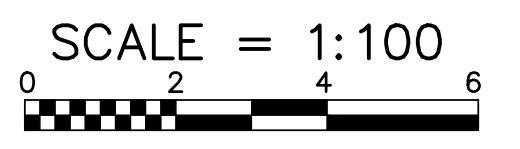
B. & H. FILE: G:\PROJECT\FINAL\PR-10\_sect-III\Civil\pr10c\_sect-3\_gr7.dwg

**PUERTO RICO HIGHWAY & TRANSPORTATION AUTHORITY**



**HIGHWAY PR-10**  
 UTUADO TO ADJUNTAS (SECTION III)  
 FROM STA. 55+50.36(10) TO STA. 73+90(10)

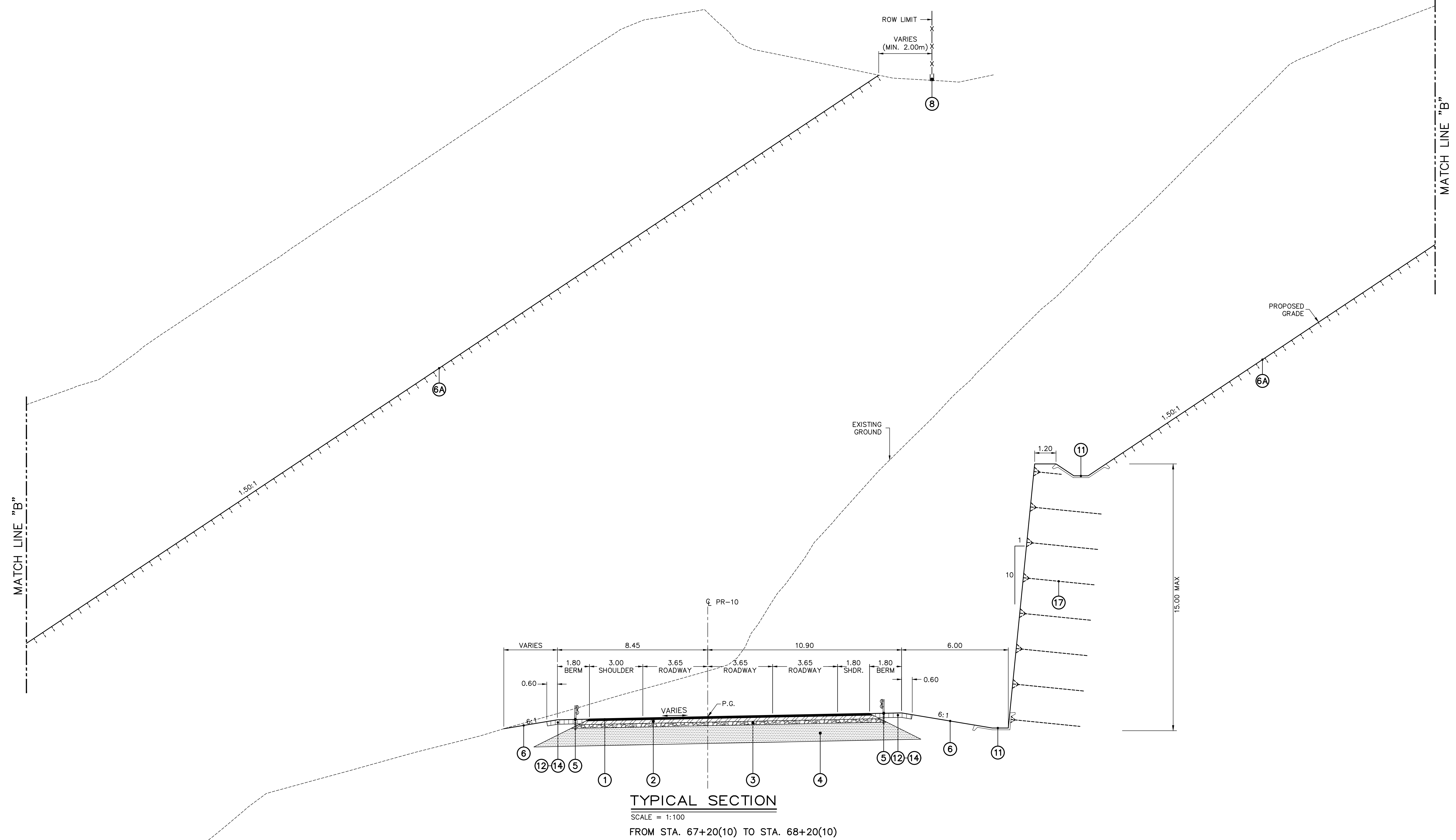
DATE	REVISION
12/14/2022	REVISION OF TYPICAL SECTIONS



**TYPICAL SECTIONS**

GR  
7

A.C. PROJECT CODE NO.	HIGHWAY	MUNICIPALITY	ISLAND	FISCAL YEAR	SHEET NO.	TOTAL SHEETS
AC-100071	PR-10	UTUADO ADJUNTAS	P.R.	2021	8	270



WORK	BY	DATE
DESIGN		
DRAWING		
TRACED		
CHECK		
FINAL CHECK		

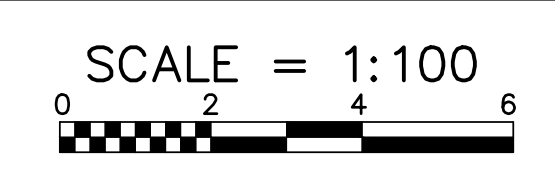
B. & H. FILE: G:\PROJECT\FINAL\PR-10\_sect-III\Civil\pr10c\_sect-3\_gr8.dwg

**PUERTO RICO HIGHWAY & TRANSPORTATION AUTHORITY**



**HIGHWAY PR-10**  
 UTUADO TO ADJUNTAS (SECTION III)  
 FROM STA. 55+50.36(10) TO STA. 73+90(10)

DATE	REVISION
12/14/2022	REVISION OF TYPICAL SECTIONS

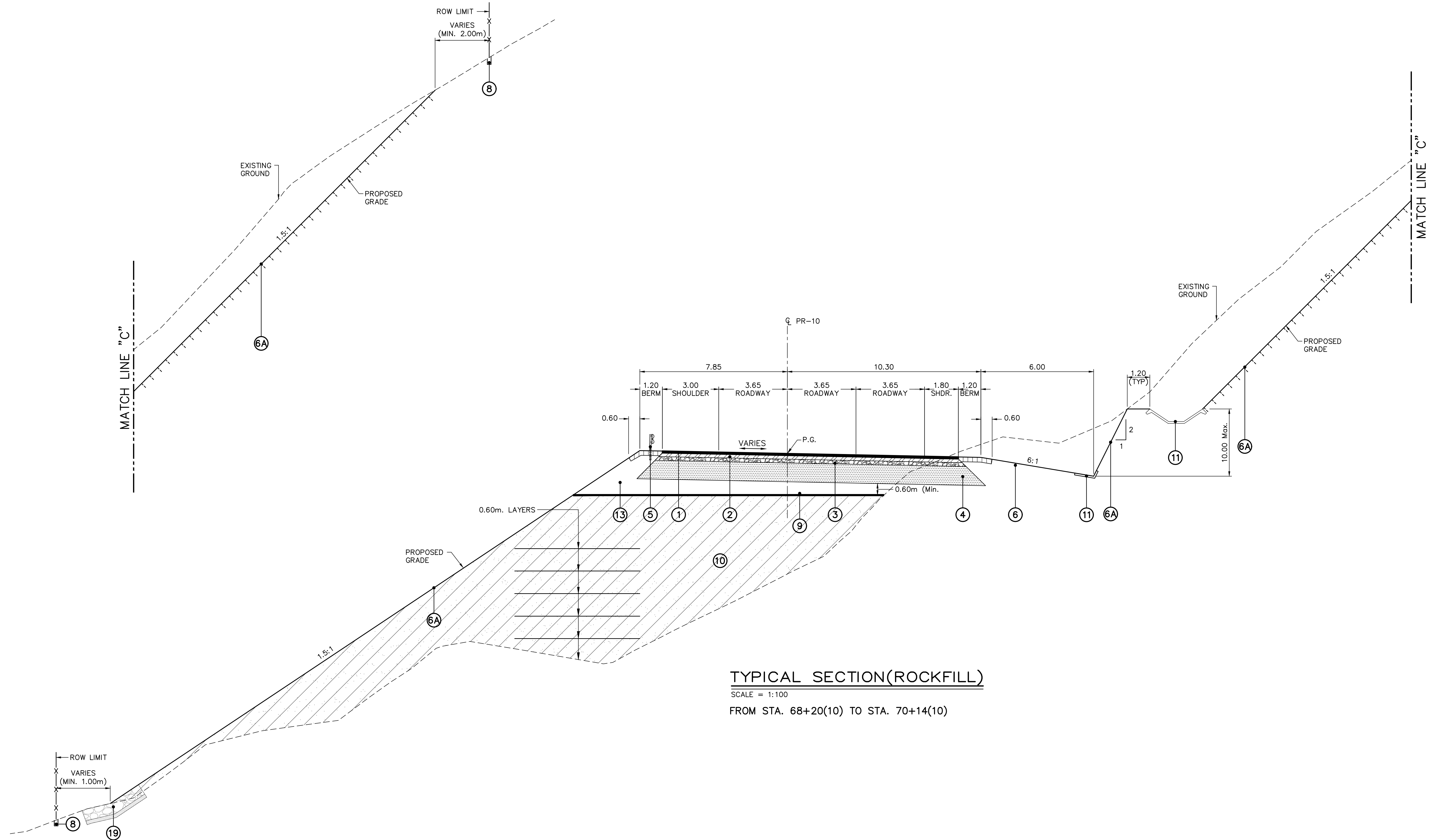


**TYPICAL SECTIONS**

GR  
8



A.C. PROJECT CODE NO.	HIGHWAY	MUNICIPALITY	ISLAND	FISCAL YEAR	SHEET NO.	TOTAL SHEETS
AC-100071	PR-10	UTUADO ADJUNTAS	P.R.	2021	9	270



**TYPICAL SECTION (ROCKFILL)**  
 SCALE = 1:100  
 FROM STA. 68+20(10) TO STA. 70+14(10)

WORK	DATE
DESIGN	
DRAWING	
TRACED	
CHECK	
FINAL CHECK	

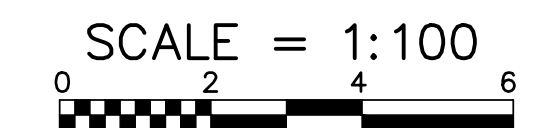
B. & H. FILE: G:\PROJECT\FINAL\PR-10\_sect-III\Civil\pr10c\_sect-3\_gr9.dwg

**PUERTO RICO HIGHWAY & TRANSPORTATION AUTHORITY**



**HIGHWAY PR-10**  
 UTUADO TO ADJUNTAS (SECTION III)  
 FROM STA. 55+50.36(10) TO STA. 73+90(10)

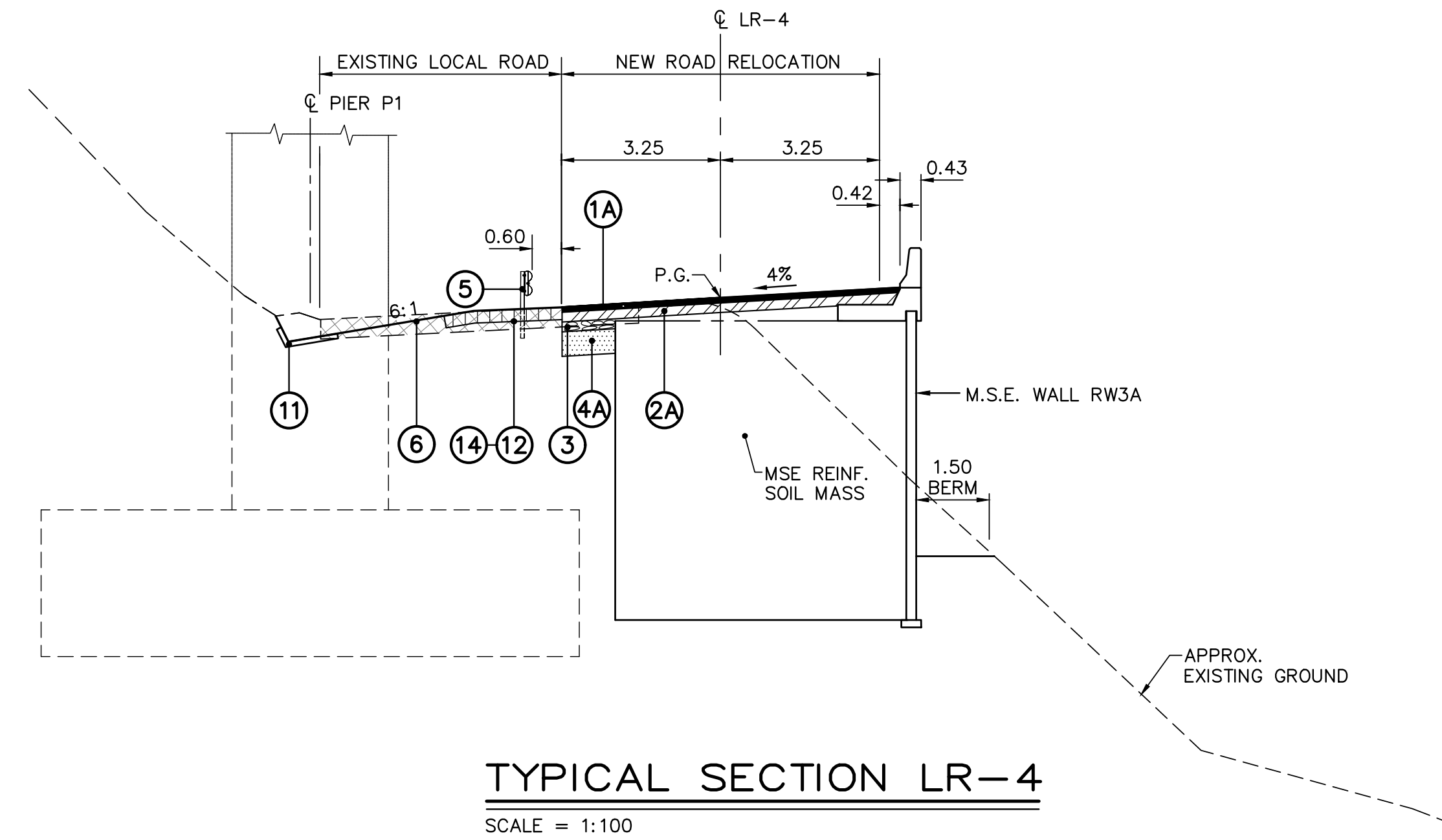
DATE	REVISION
12/14/2022	REVISION OF TYPICAL SECTIONS



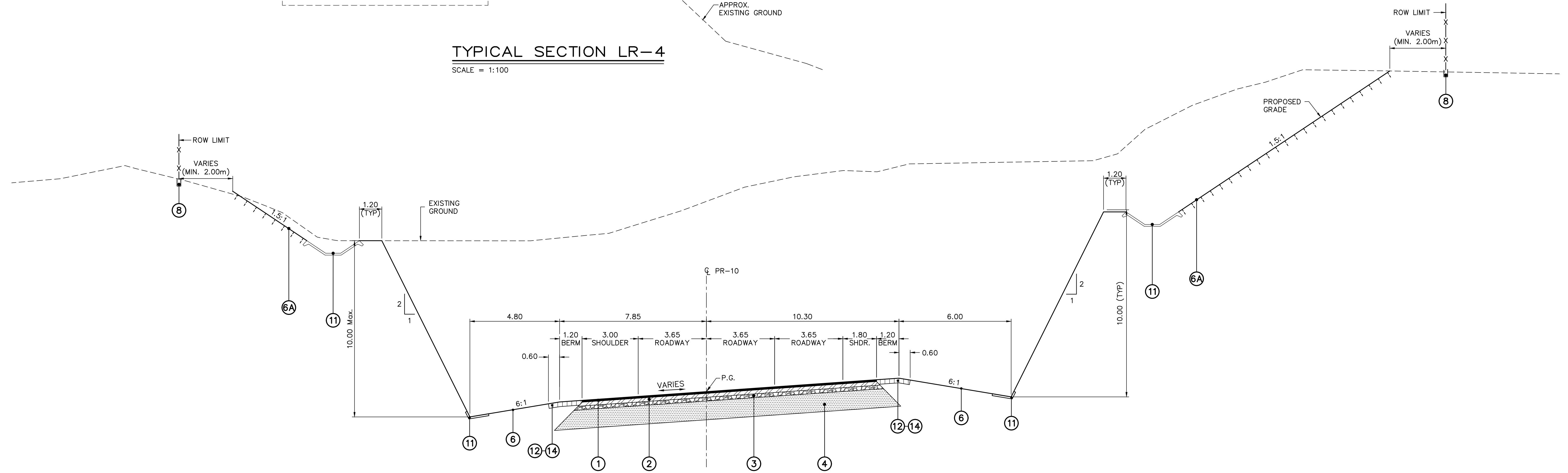
**TYPICAL SECTIONS**

GR  
9

A.C. PROJECT CODE NO.	HIGHWAY	MUNICIPALITY	ISLAND	FISCAL YEAR	SHEET NO.	TOTAL SHEETS
AC-100071	PR-10	UTUADO ADJUNTAS	P.R.	2021	10	270



**TYPICAL SECTION LR-4**  
SCALE = 1:100



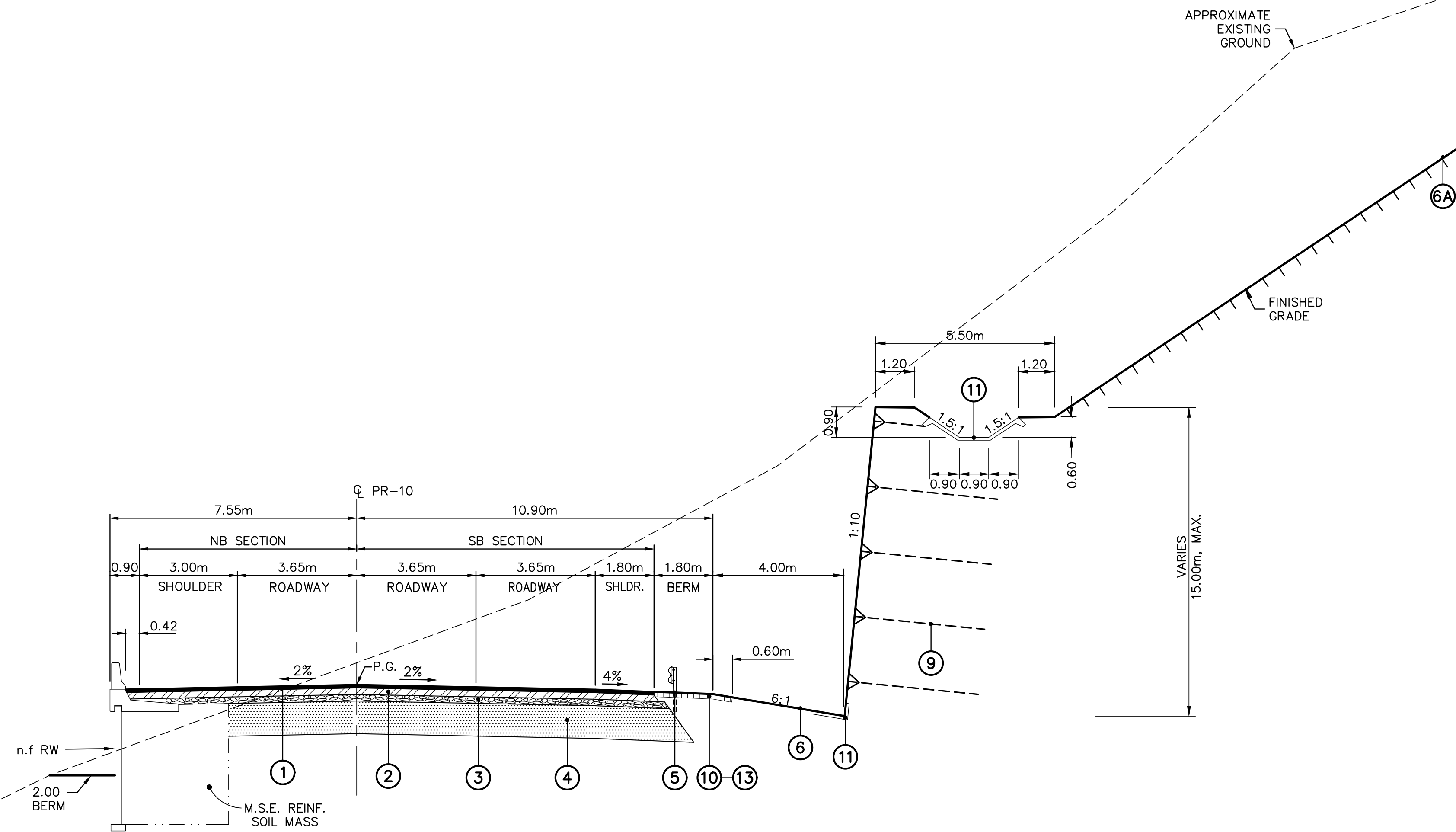
**TYPICAL SECTION**  
SCALE = 1:100  
FROM STA. 63+27(10) TO STA. 63+90(10)

WORK	DATE
BY	
DESIGN	
DRAWING	
TRACED	
CHECK	
FINAL CHECK	

B. & H. FILE: G:\PROJECT\FINAL\PR-10\_sect-III\Civil\pr10c\_sect-3\_gr9.dwg

DATE	REVISION
12/14/2022	REVISION OF TYPICAL SECTIONS

A.C. PROJECT CODE NO.	HIGHWAY	MUNICIPALITY	ISLAND	FISCAL YEAR	SHEET NO.	TOTAL SHEETS
AC-100055 R000010155	PR-10	ADJUNTAS	P.R.	2021	4	154



**LEGEND:**

- ( 1 ) 0.05m WARM MIX ASPHALT PAVEMENT – SUPERPAVE (SPS) (SPEC. SP964)
- ( 2 ) 0.15m WARM MIX ASPHALT PAVEMENT – SUPERPAVE (SPS) (SPEC. SP964)
- ( 3 ) 0.15m AGGREGATE BASE COURSE, GRADING "A" (SPEC. 304)
- ( 4 ) 1.00m SUBBASE COURSE (SPEC. 301)
- ( 5 ) NEW SINGLE FACE GUARDRAIL (SPEC. 606) (SEE GF'S SERIES SHEETS)
- ( 6 ) TURF ESTABLISHMENT (SEEDING WITH MULCH) (SPEC. 627)
- ( 6A ) PERMANENT EROSION CONTROL MAT (SPEC. 835)
- ( 7 ) FILL BENCHES
- ( 8 ) BARBED WIRE OR CHAIN LINK FENCE (SPEC. 607) (SEE GF'S SERIES SHEETS)
- ( 9 ) SOIL NAIL (SPEC. 963)
- ( 10 ) LOAMY TOP SOIL (SPEC. 625)
- ( 11 ) CPW (SPEC. 617) (TYPE AND LOCATION AS NOTED ON PLANS)
- ( 12 ) CONCRETE BARRIER TYPE "C" (SPEC. 610)
- ( 13 ) SODDING (SPEC. 628)
- ( 14 ) BORROW CLASS "B" (SPEC. 203)

- STRUCTURE OR PAVEMENT TO BE REMOVED
- SUBBASE COURSE
- SURFACE PAVEMENT
- BASE PAVEMENT
- AGGREGATE BASE COURSE
- SODDING & TOPSOIL

**TYPICAL SECTION**

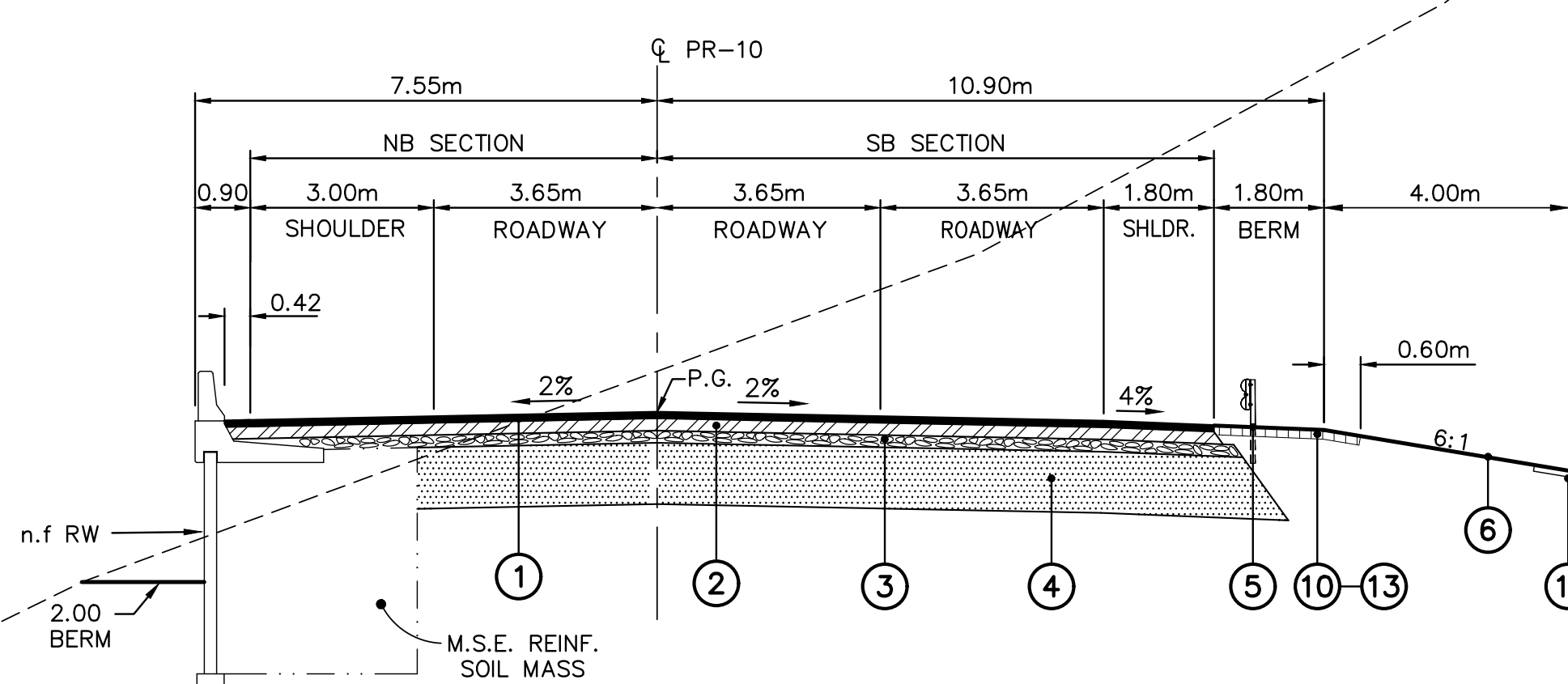
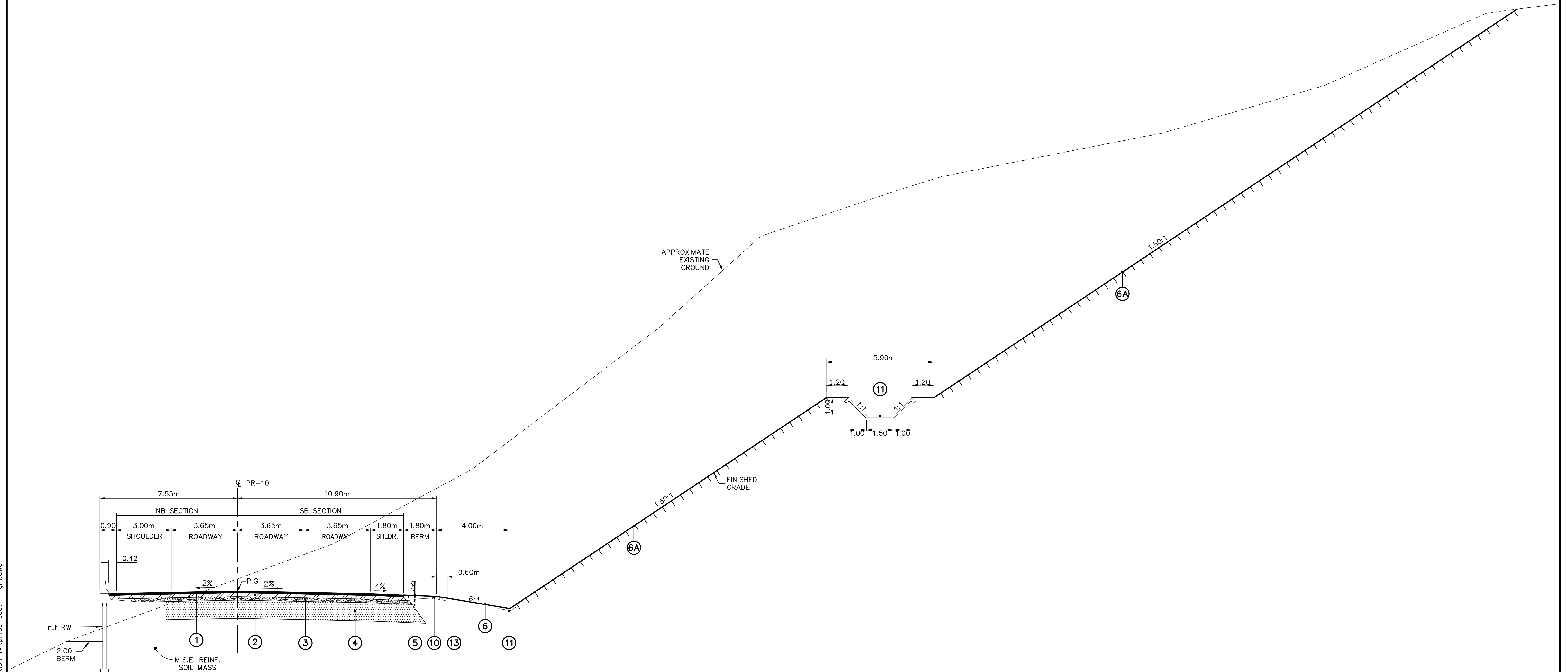
SCALE = 1:100  
 FROM STA. 74+71.00(10) TO STA. 75+00.00(10)  
 FROM STA. 75+30.00(10) TO STA. 77+00.00(10)  
 FROM STA. 77+08.00(10) TO STA. 77+72.00(10)  
 FROM STA. 77+79.00(10) TO STA. 78+10.00(10)  
 FROM STA. 82+11.50(10) TO STA. 82+78.00(10)  
 FROM STA. 85+56.50(10) TO STA. 85+92.00(10)  
 FROM STA. 89+28.00(10) TO STA. 90+23.00(10)  
 FROM STA. 93+13.50(10) TO STA. 93+28.00(10)  
 FROM STA. 93+40.00(10) TO STA. 93+57.00(10)

WORK	BY	DATE
DESIGN		
DRAWING		
TRACED		
CHECK		
FINAL CHECK		

B. & H. FILE: G:\PROJECT\PRELIM\PR-10\Pre\minor\Civil\Section-1\pr10c\_sect-4\_gr4.dwg

DATE	REVISION

A.C. PROJECT CODE NO.	HIGHWAY	MUNICIPALITY	ISLAND	FISCAL YEAR	SHEET NO.	TOTAL SHEETS
AC-100055 R000010155	PR-10	ADJUNTAS	P.R.	2021	5	154



**TYPICAL SECTION**  
 SCALE = 1:100  
 FROM STA. 94+69.00(10) TO STA. 95+95.00(10)

WORK	DATE
DESIGN	
DRAWING	
TRACED	
CHECK	
FINAL CHECK	

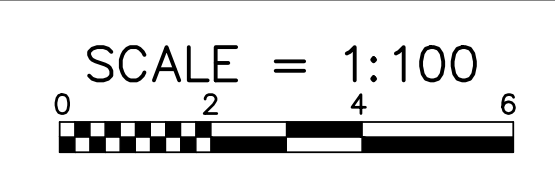
B. & H. FILE: G:\PROJECT\PRELIM\PR-10\Pre\minor\Civil\Section-1\pr10c\_sect-4\_gr4.dwg

**PUERTO RICO HIGHWAY & TRANSPORTATION AUTHORITY**



**HIGHWAY PR-10**  
 UTUADO TO ADJUNTAS (SECTION IV)  
 FROM STA. 73+90(10) TO STA. 96+85.93(10)

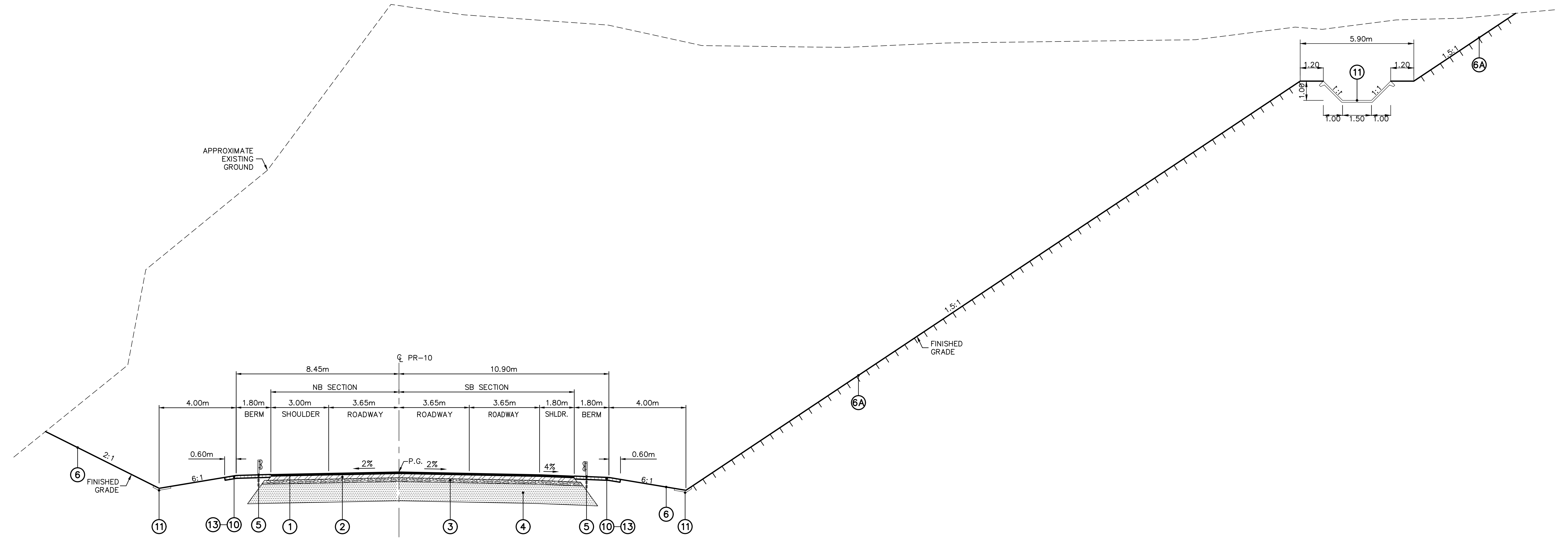
DATE	REVISION



**TYPICAL SECTIONS**

GR  
5

A.C. PROJECT CODE NO.	HIGHWAY	MUNICIPALITY	ISLAND	FISCAL YEAR	SHEET NO.	TOTAL SHEETS
AC-100055 R000010155	PR-10	ADJUNTAS	P.R.	2021	6	154



**TYPICAL SECTION**

SCALE = 1:100  
FROM STA. 95+95.00(10) TO STA. 96+85.93(10)

WORK	BY	DATE
DESIGN		
DRAWING		
TRACED		
CHECK		
FINAL CHECK		

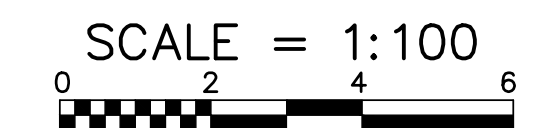
B. & H. FILE: G:\PROJECT\PRELIM\PR-10\Pre\minor\Civil\Section-1\pr10c\_sect-4\_gr4.dwg

**PUERTO RICO HIGHWAY & TRANSPORTATION AUTHORITY**



**HIGHWAY PR-10**  
UTUADO TO ADJUNTAS (SECTION IV)  
FROM STA. 73+90(10) TO STA. 96+85.93(10)

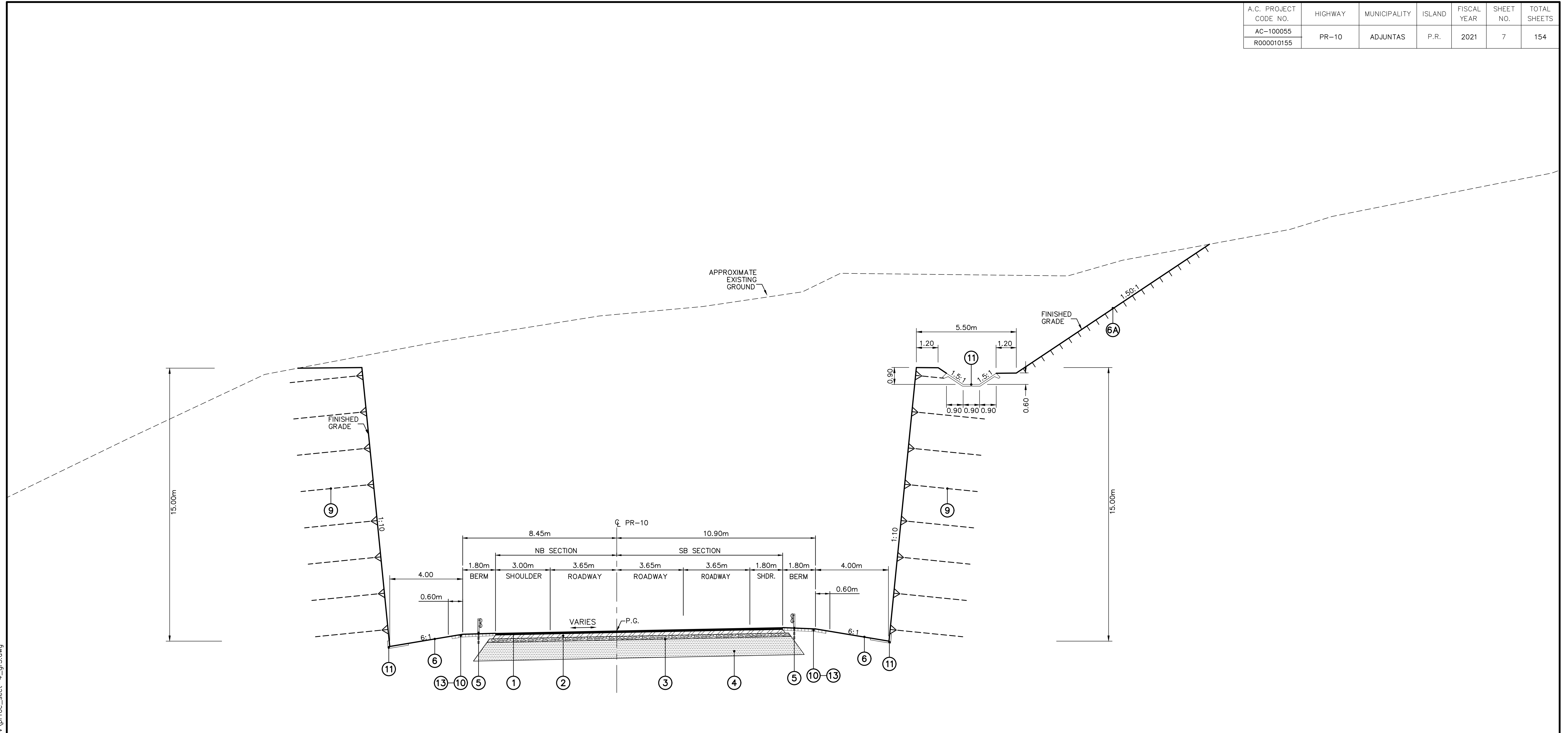
DATE	REVISION



**TYPICAL SECTIONS**

GR  
6

A.C. PROJECT CODE NO.	HIGHWAY	MUNICIPALITY	ISLAND	FISCAL YEAR	SHEET NO.	TOTAL SHEETS
AC-100055 R000010155	PR-10	ADJUNTAS	P.R.	2021	7	154



**TYPICAL SECTION**

SCALE = 1:100  
 FROM STA. 73+90.00(10) TO STA. 74+71.00(10)  
 FROM STA. 79+76.50(10) TO STA. 79+85.00(10)  
 FROM STA. 81+16.00(10) TO STA. 81+49.00(10)  
 FROM STA. 82+48.00(10) TO STA. 83+76.00(10)  
 FROM STA. 93+57.00(10) TO STA. 94+69.00(10)

WORK	DATE
DESIGN	
DRAWING	
TRACED	
CHECK	
FINAL CHECK	

B. & H. FILE: G:\PROJECT\PRELIM\PR-10\Pre\minor\Civil\Section-IV\pr10c\_sect-4\_gr5.dwg

**PUERTO RICO HIGHWAY & TRANSPORTATION AUTHORITY**



**HIGHWAY PR-10**  
 UTUADO TO ADJUNTAS (SECTION IV)  
 FROM STA. 73+90(10) TO STA. 96+85.93(10)

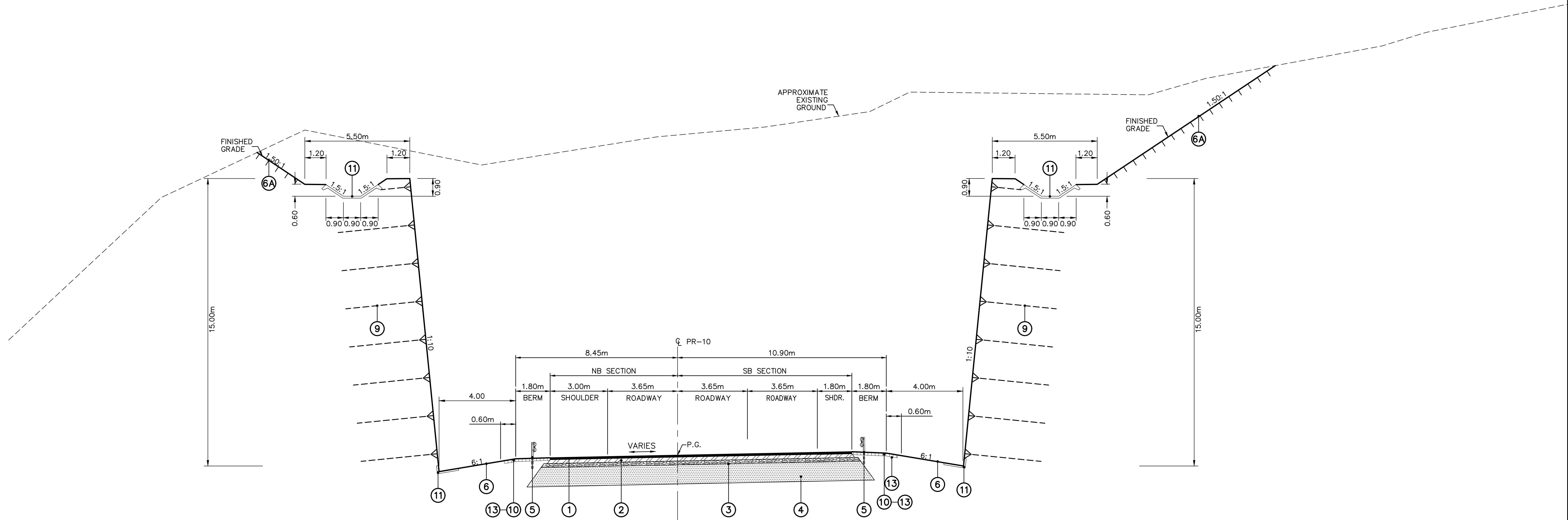
DATE	REVISION

SCALE = 1:100

**TYPICAL SECTIONS**

GR  
7

A.C. PROJECT CODE NO.	HIGHWAY	MUNICIPALITY	ISLAND	FISCAL YEAR	SHEET NO.	TOTAL SHEETS
AC-100055 R000010155	PR-10	ADJUNTAS	P.R.	2021	8	154



**TYPICAL SECTION**

SCALE = 1:100  
FROM STA. 79+19.00(10) TO STA. 79+76.50(10)

WORK	DATE
DESIGN	
DRAWING	
TRACED	
CHECK	
FINAL CHECK	

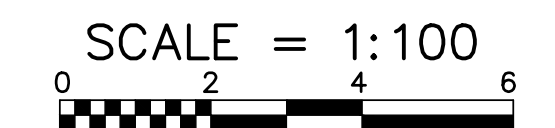
B. & H. FILE: G:\PROJECT\PRELIM\PR-10\Pre\minor\Civil\Section-IV\pr10c\_sect-4\_gr5.dwg

**PUERTO RICO HIGHWAY & TRANSPORTATION AUTHORITY**



**HIGHWAY PR-10**  
UTUADO TO ADJUNTAS (SECTION IV)  
FROM STA. 73+90(10) TO STA. 96+85.93(10)

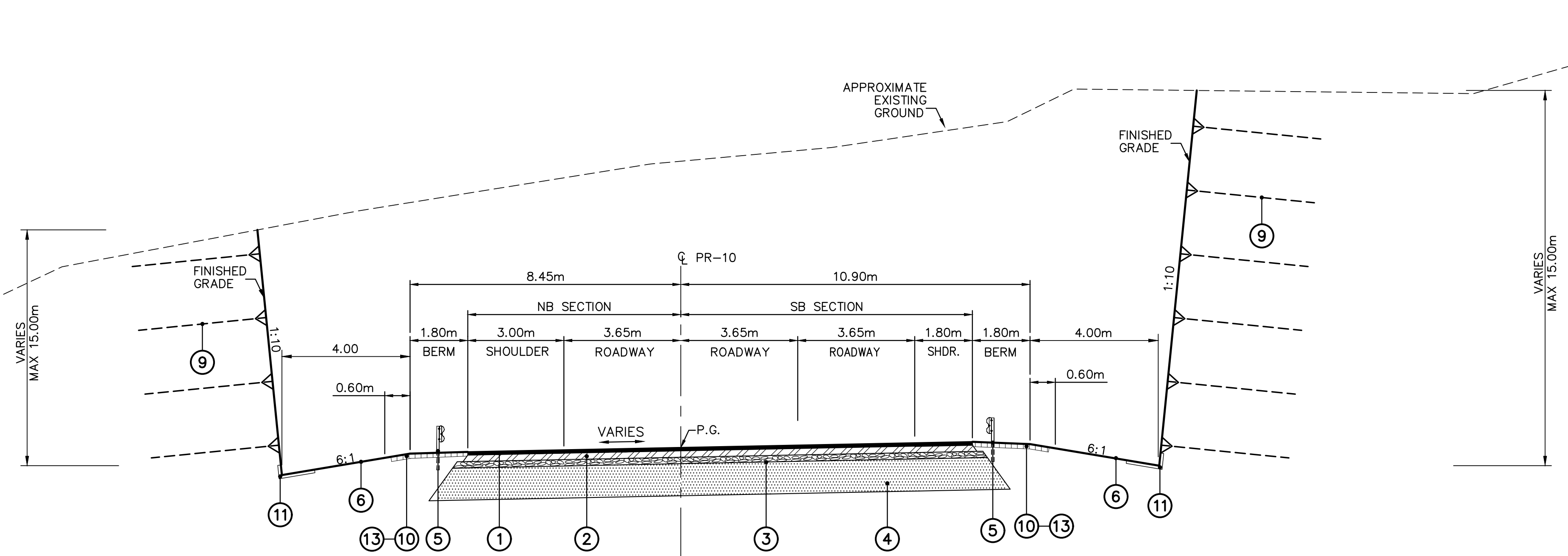
DATE	REVISION



**TYPICAL SECTIONS**

GR  
8

A.C. PROJECT CODE NO.	HIGHWAY	MUNICIPALITY	ISLAND	FISCAL YEAR	SHEET NO.	TOTAL SHEETS
AC-100055 R000010155	PR-10	ADJUNTAS	P.R.	2021	9	154



**TYPICAL SECTION**

SCALE = 1:100  
 FROM STA. 79+85.00(10) TO STA. 79+91.50(10)  
 FROM STA. 83+76.00(10) TO STA. 84+18.50(10)

WORK	DATE
BY	
DESIGN	
DRAWING	
TRACED	
CHECK	
FINAL CHECK	

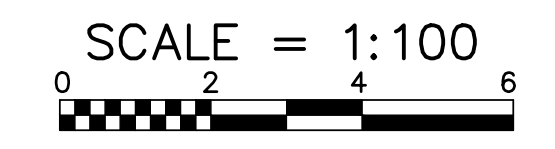
B. & H. FILE: G:\PROJECT\PRELIM\PR-10\Preliminar\Civil\Section-IV\pr10c\_sect-4\_gr5.dwg

**PUERTO RICO HIGHWAY & TRANSPORTATION AUTHORITY**



**HIGHWAY PR-10**  
 UTUADO TO ADJUNTAS (SECTION IV)  
 FROM STA. 73+90(10) TO STA. 96+85.93(10)

DATE	REVISION

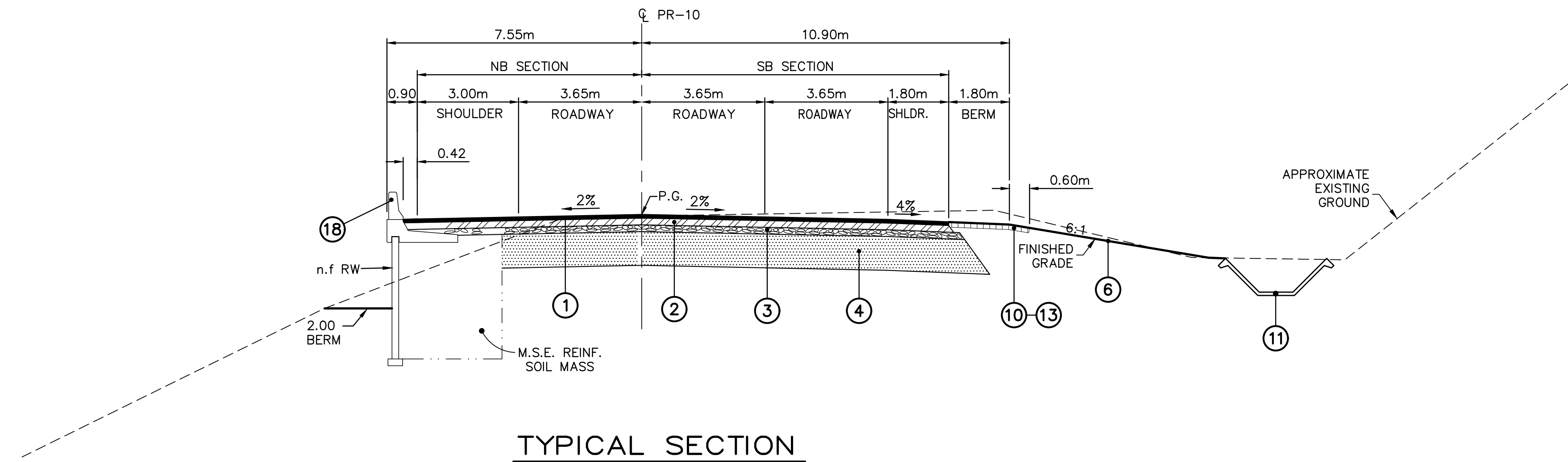


**TYPICAL SECTIONS**

GR  
9

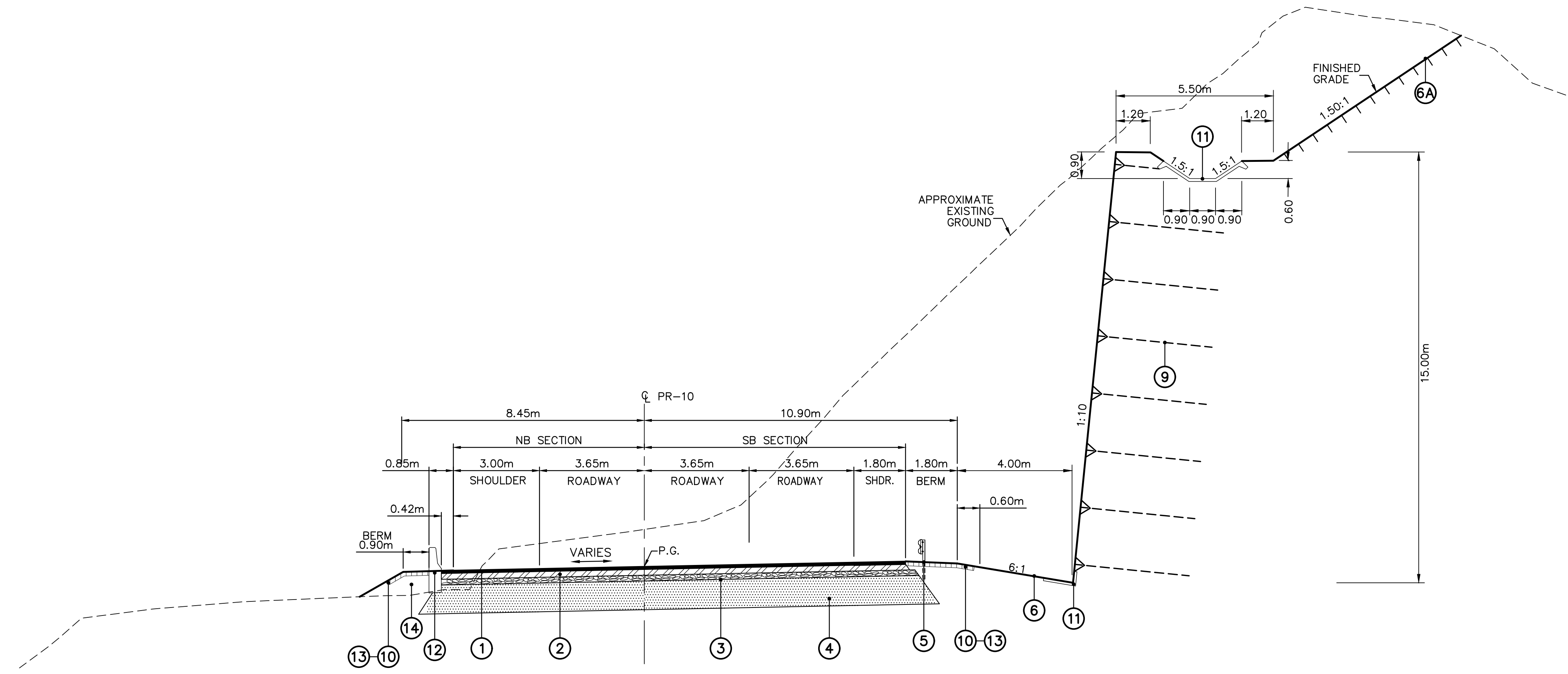


A.C. PROJECT CODE NO.	HIGHWAY	MUNICIPALITY	ISLAND	FISCAL YEAR	SHEET NO.	TOTAL SHEETS
AC-100055 R000010155	PR-10	ADJUNTAS	P.R.	2021	10	154



**TYPICAL SECTION**

SCALE = 1:100  
FROM STA. 94+86.50(10) TO STA. 95+23.50(10)



**TYPICAL SECTION**

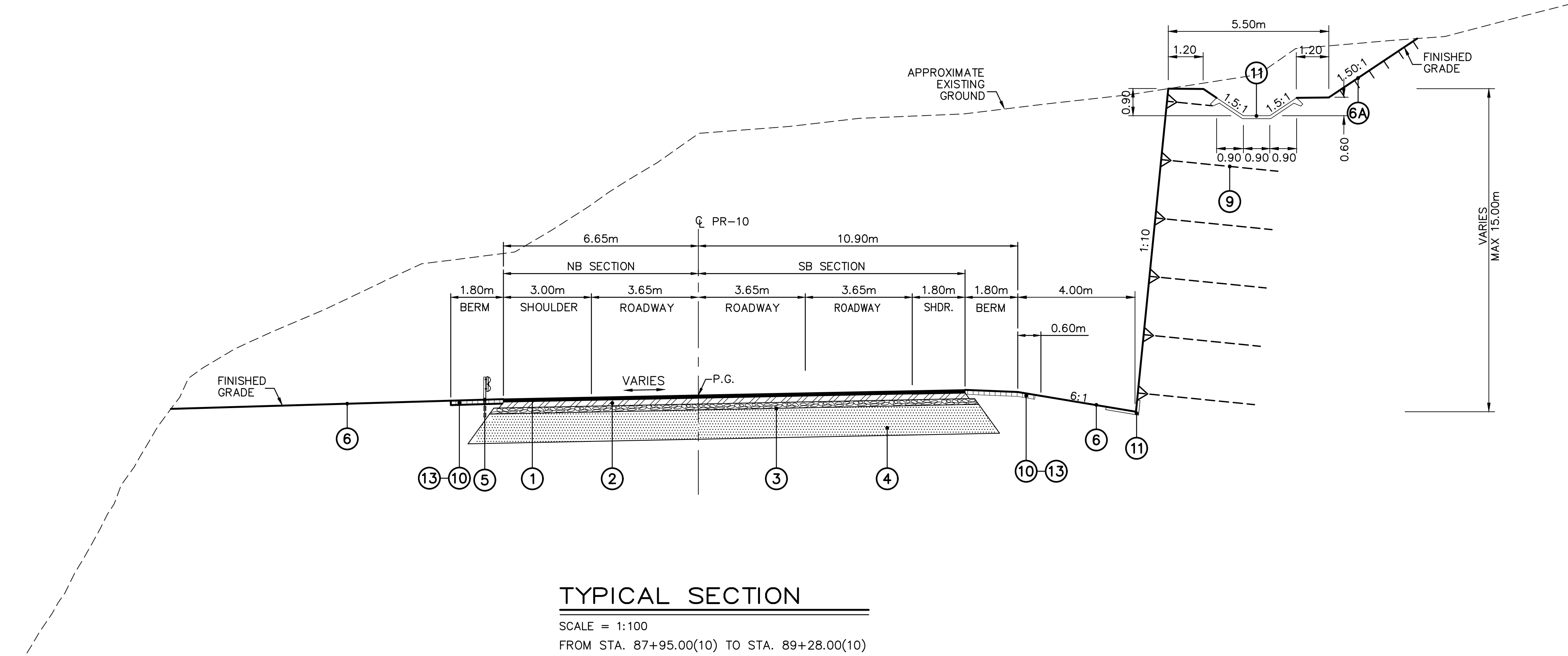
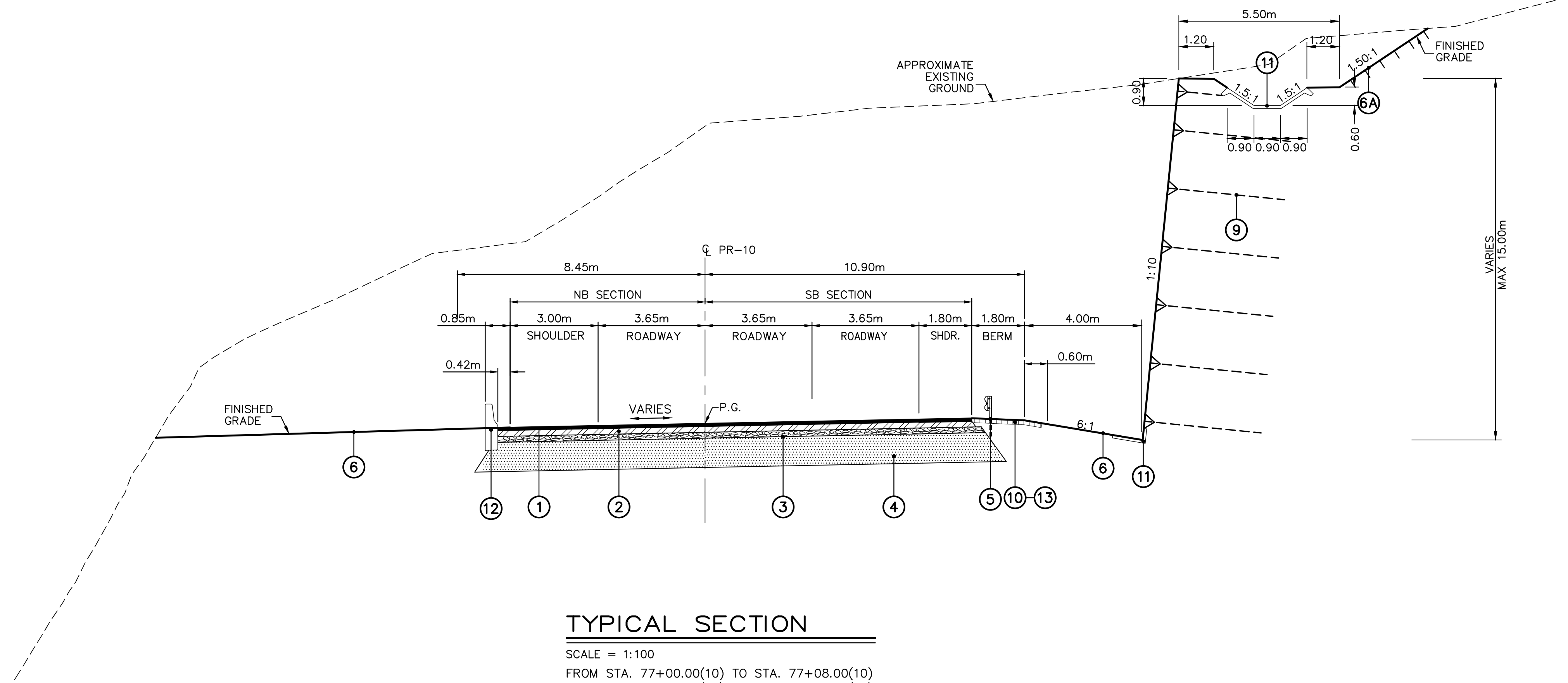
SCALE = 1:100  
FROM STA. 77+00.00(10) TO STA. 77+08.00(10)  
FROM STA. 77+72.00(10) TO STA. 77+79.00(10)  
FROM STA. 93+28.00(10) TO STA. 93+40.00(10)

WORK	BY	DATE
DESIGN		
DRAWING		
TRACED		
CHECK		
FINAL CHECK		

B. & H. FILE: G:\PROJECT\PRELIM\PR-10\ Prelim\ Civil\Section-1\pr10c\_sect-4\_gr6.dwg

DATE	REVISION

A.C. PROJECT CODE NO.	HIGHWAY	MUNICIPALITY	ISLAND	FISCAL YEAR	SHEET NO.	TOTAL SHEETS
AC-100055 R000010155	PR-10	ADJUNTAS	P.R.	2021	11	154



WORK	DATE
DESIGN	
DRAWING	
TRACED	
CHECK	
FINAL CHECK	

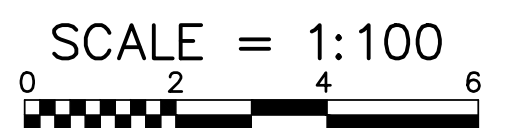
B. & H. FILE: G:\PROJECT\PRELIM\PR-10\ Prelim\ Civil\Section-1\pr10c\_sect-4\_gr6.dwg

**PUERTO RICO HIGHWAY & TRANSPORTATION AUTHORITY**



**HIGHWAY PR-10**  
 UTUADO TO ADJUNTAS (SECTION IV)  
 FROM STA. 73+90(10) TO STA. 96+85.93(10)

DATE	REVISION



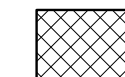


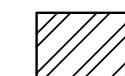


**TYPICAL SECTIONS**

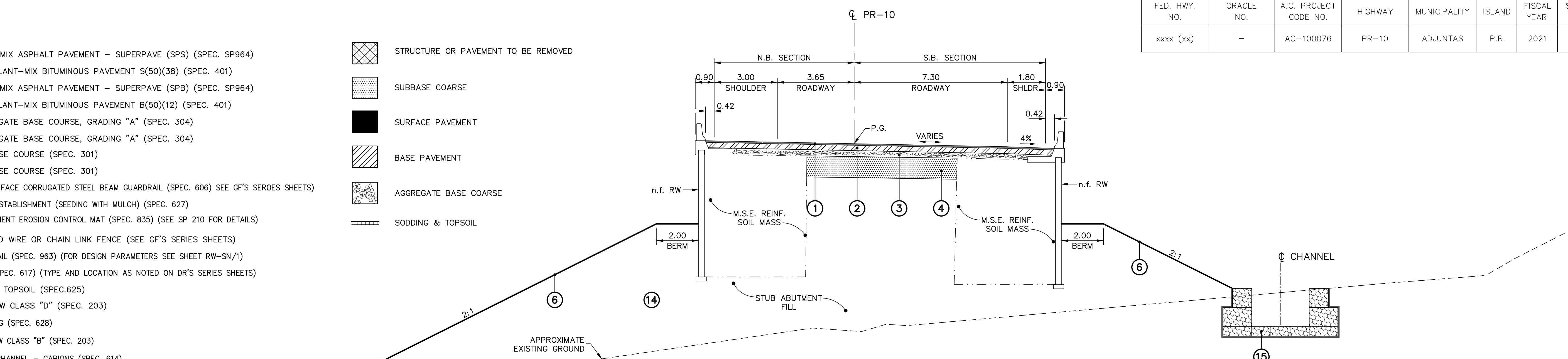
GR  
11

FED. HWY. NO.	ORACLE NO.	A.C. PROJECT CODE NO.	HIGHWAY	MUNICIPALITY	ISLAND	FISCAL YEAR	SHEET NO.	TOTAL SHEETS
xxxx (xx)	-	AC-100076	PR-10	ADJUNTAS	P.R.	2021	4	136

**LEGEND:**

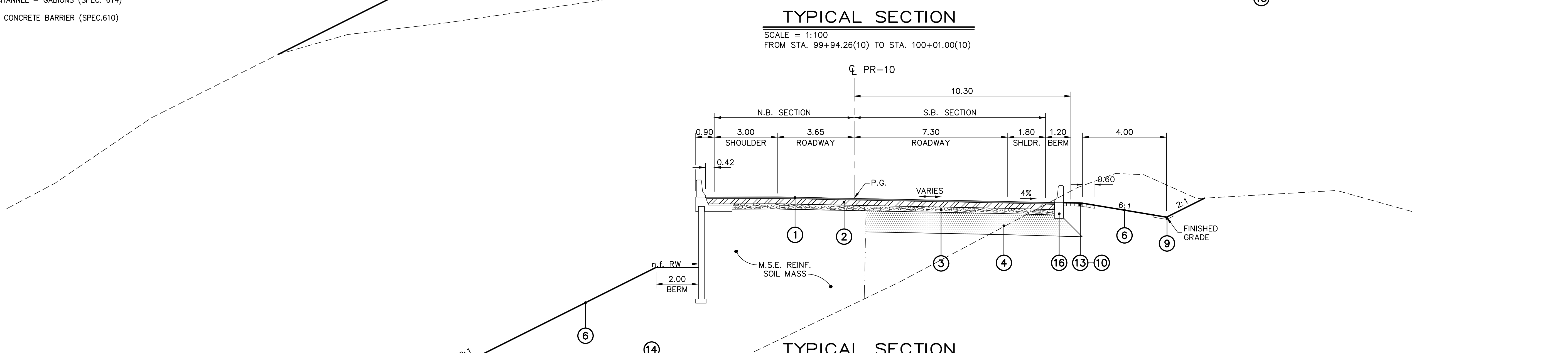
- ( 1 ) 0.05m WARM MIX ASPHALT PAVEMENT – SUPERPAVE (SPS) (SPEC. SP964)
- ( 1A ) 0.05m HOT PLANT-MIX BITUMINOUS PAVEMENT S(50)(38) (SPEC. 401)
- ( 2 ) 0.15m WARM MIX ASPHALT PAVEMENT – SUPERPAVE (SPB) (SPEC. SP964)
- ( 2A ) 0.10m HOT PLANT-MIX BITUMINOUS PAVEMENT B(50)(12) (SPEC. 401)
- ( 3 ) 0.15m AGGREGATE BASE COURSE, GRADING "A" (SPEC. 304)
- ( 3A ) 0.10m AGGREGATE BASE COURSE, GRADING "A" (SPEC. 304)
- ( 4 ) 1.00m SUBBASE COURSE (SPEC. 301)
- ( 4A ) 0.60m SUBBASE COURSE (SPEC. 301)
- ( 5 ) SINGLE FACE CORRUGATED STEEL BEAM GUARDRAIL (SPEC. 606) SEE GF'S SERIES SHEETS
- ( 6 ) TURF ESTABLISHMENT (SEEDING WITH MULCH) (SPEC. 627)
- ( 6A ) PERMANENT EROSION CONTROL MAT (SPEC. 835) (SEE SP 210 FOR DETAILS)
- ( 7 ) BARBED WIRE OR CHAIN LINK FENCE (SEE GF'S SERIES SHEETS)
- ( 8 ) SOIL NAIL (SPEC. 963) (FOR DESIGN PARAMETERS SEE SHEET RW-SN/1)
- ( 9 ) CPW (SPEC. 617) (TYPE AND LOCATION AS NOTED ON DR'S SERIES SHEETS)
- ( 10 ) 0.10m LOAMY TOPSOIL (SPEC.625)
- ( 12 ) 0.15m BORROW CLASS "D" (SPEC. 203)
- ( 13 ) SODDING (SPEC. 628)
- ( 14 ) BORROW CLASS "B" (SPEC. 203)
- ( 15 ) OPEN CHANNEL – GABIONS (SPEC. 614)
- ( 16 ) TYPE C CONCRETE BARRIER (SPEC.610)

-  STRUCTURE OR PAVEMENT TO BE REMOVED
-  SUBBASE COARSE
-  SURFACE PAVEMENT
-  BASE PAVEMENT
-  AGGREGATE BASE COARSE
-  SODDING & TOPSOIL



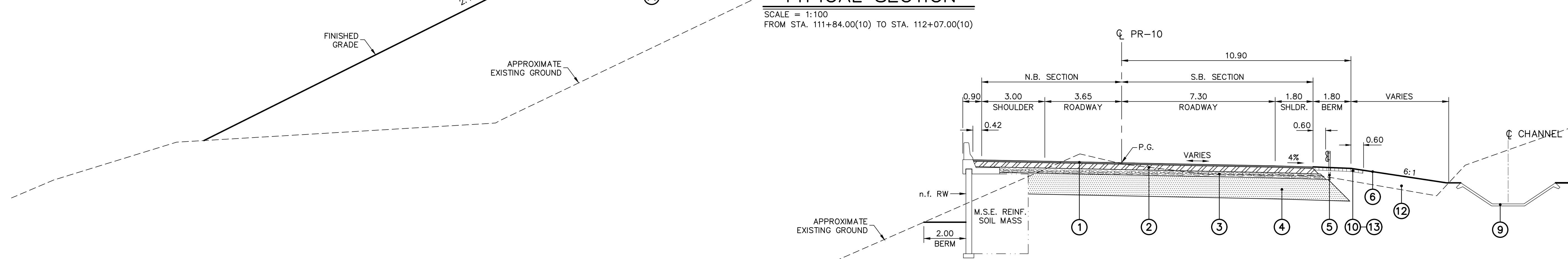
**TYPICAL SECTION**

SCALE = 1:100  
FROM STA. 99+94.26(10) TO STA. 100+01.00(10)



**TYPICAL SECTION**

SCALE = 1:100  
FROM STA. 111+84.00(10) TO STA. 112+07.00(10)



**TYPICAL SECTION**

SCALE = 1:100  
FROM STA. 107+38.00(10) TO STA. 108+41.50(10)

WORK	DATE
DESIGN	
DRAWING	
TRACED	
CHECK	
FINAL CHECK	

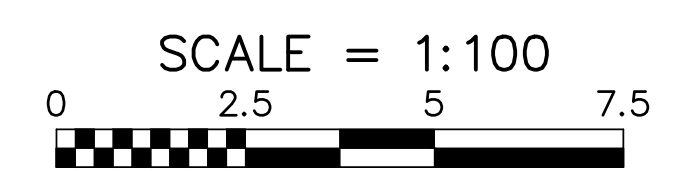
B. & H. FILE: G:\PROJECT\PRELIM\PR-10 Section V\Civil\PR-10 Section-V\_GR4-10(TYPICAL).dwg

**PUERTO RICO HIGHWAY & TRANSPORTATION AUTHORITY**



**HIGHWAY PR-10**  
UTUADO TO ADJUNTAS (SECTION V)  
FROM STA. 96+85.93(10) TO STA. 115+17.95(10)

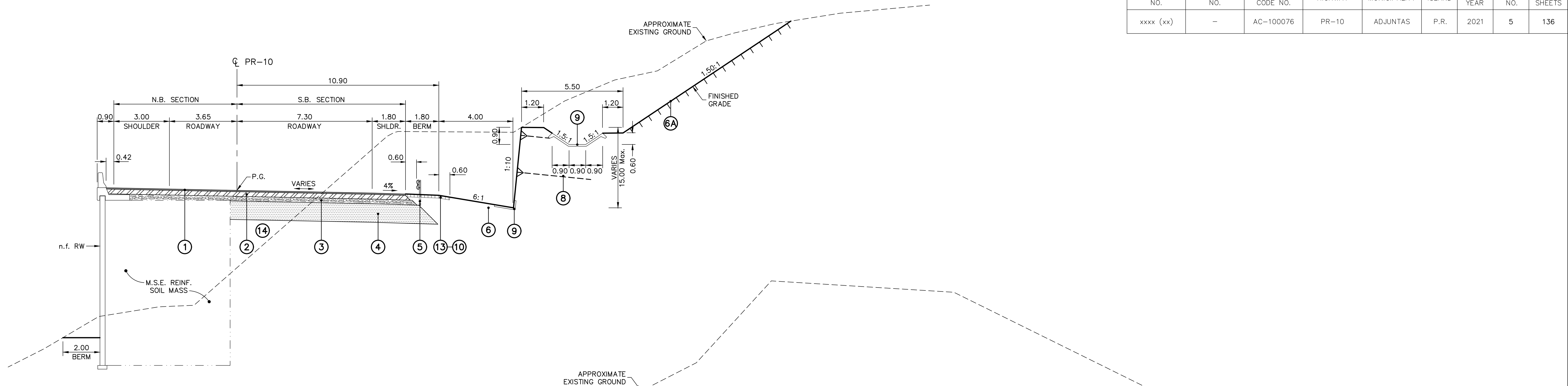
DATE	REVISION



**TYPICAL SECTIONS**

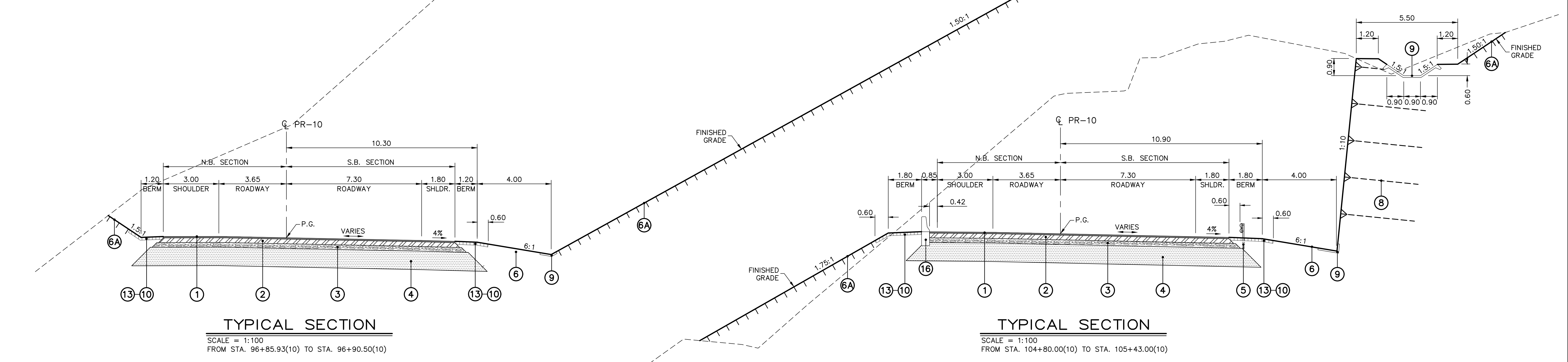
GR  
4

FED. HWY. NO.	ORACLE NO.	A.C. PROJECT CODE NO.	HIGHWAY	MUNICIPALITY	ISLAND	FISCAL YEAR	SHEET NO.	TOTAL SHEETS
xxxx (xx)	-	AC-100076	PR-10	ADJUNTAS	P.R.	2021	5	136



**TYPICAL SECTION**

SCALE = 1:100  
 FROM STA. 102+02.00(10) TO STA. 103+61.50(10)  
 FROM STA. 105+43.00(10) TO STA. 105+90.00(10)  
 FROM STA. 108+79.00(10) TO STA. 110+02.50(10)  
 FROM STA. 114+93.00(10) TO STA. 115+17.95(10)



**TYPICAL SECTION**

SCALE = 1:100  
 FROM STA. 96+85.93(10) TO STA. 96+90.50(10)

**TYPICAL SECTION**

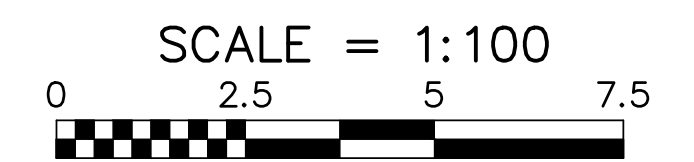
SCALE = 1:100  
 FROM STA. 104+80.00(10) TO STA. 105+43.00(10)

PUERTO RICO HIGHWAY & TRANSPORTATION AUTHORITY



**HIGHWAY PR-10**  
 UTUADO TO ADJUNTAS (SECTION V)  
 FROM STA. 96+85.93(10) TO STA. 115+17.95(10)

DATE	REVISION



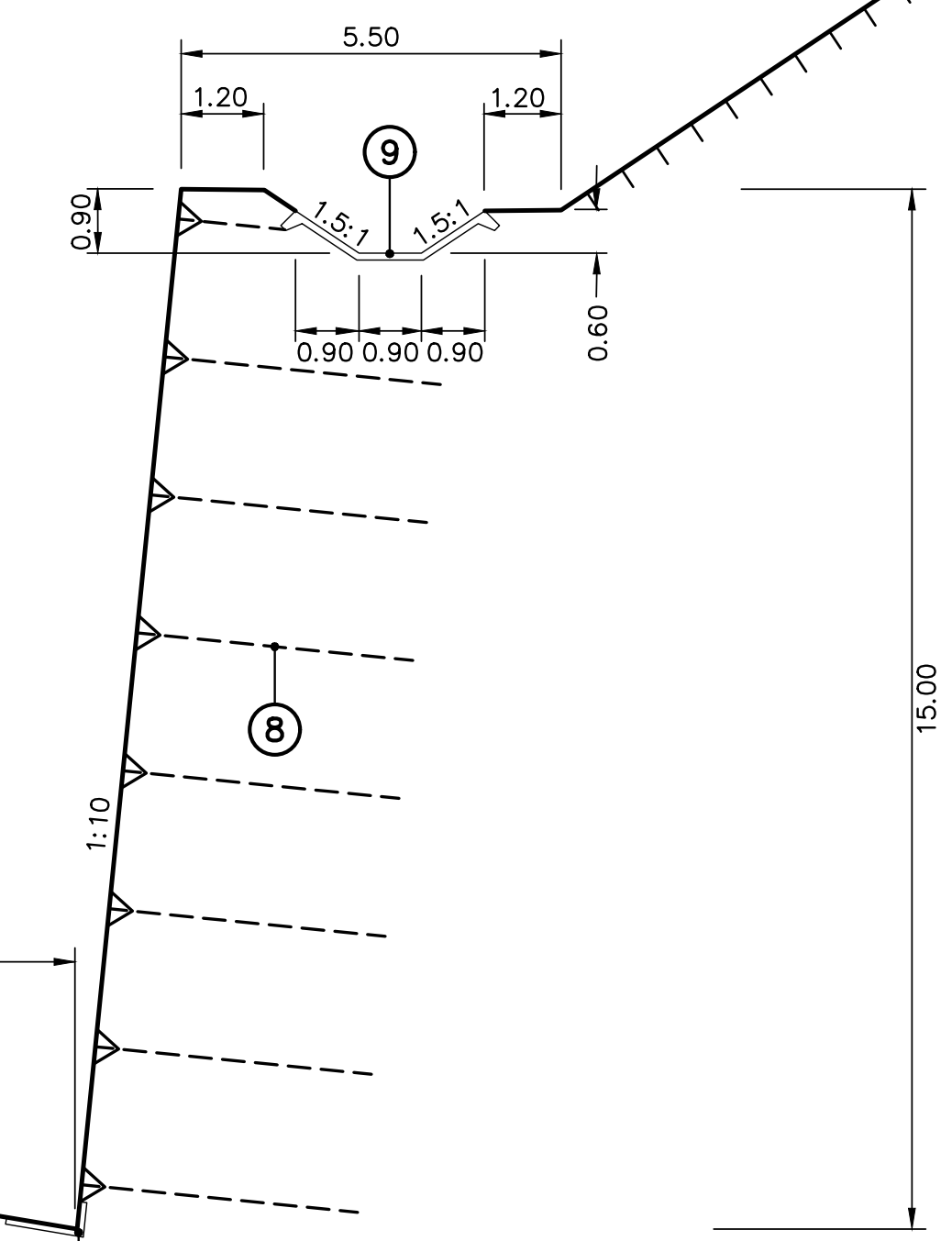
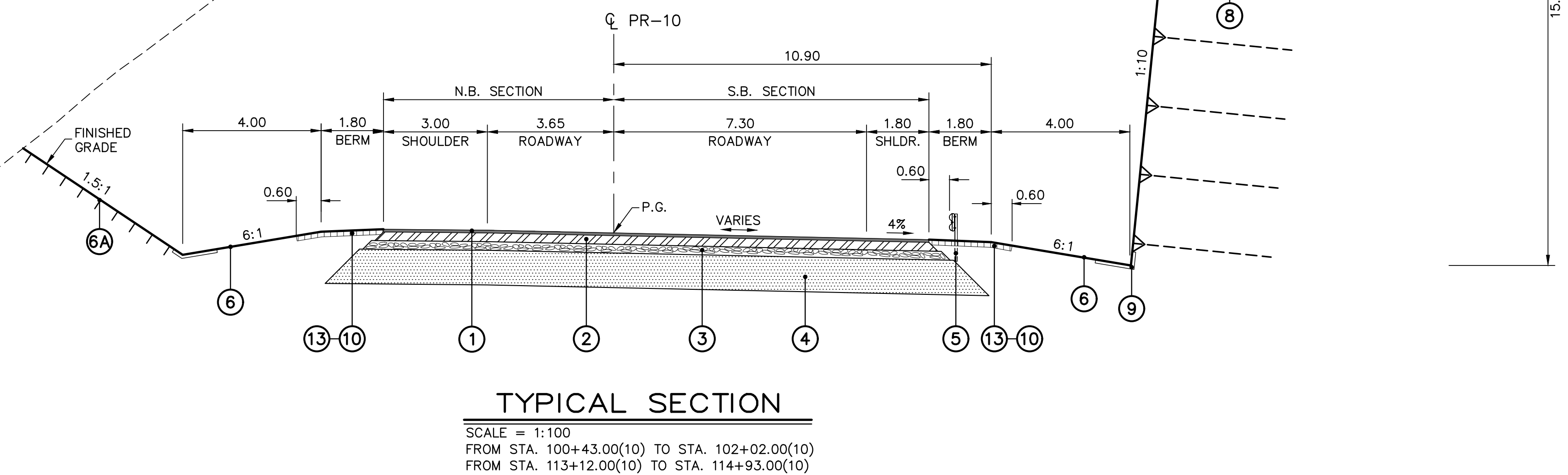
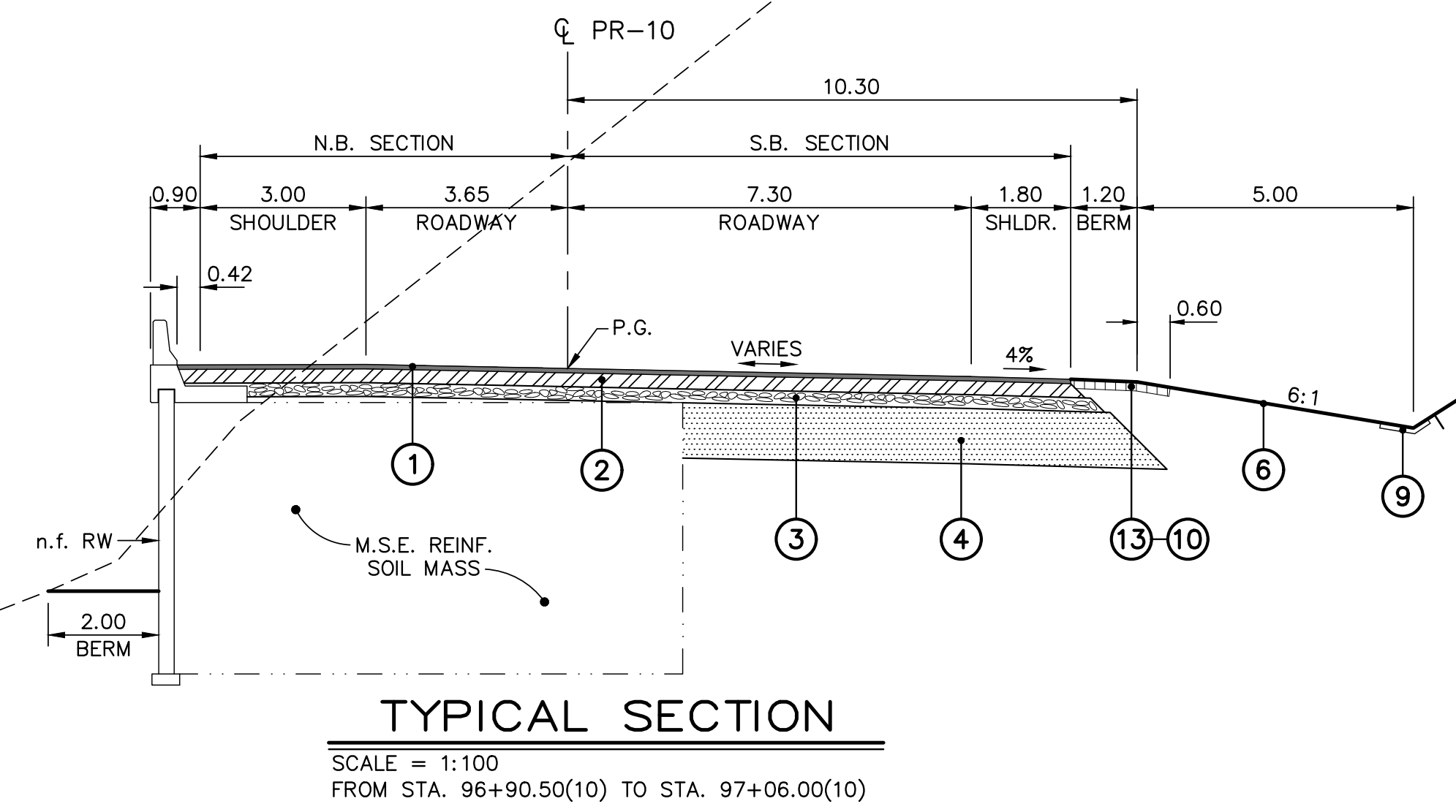
TYPICAL SECTIONS

GR  
5

B. & H. FILE: G:\PROJECT\PRELIM\PR-10 Section V\Civil\PR-10\_Section-V\_GR4-10(TYPICAL).dwg

WORK	DATE
DESIGN	
DRAWING	
TRACED	
CHECK	
FINAL CHECK	

FED. HWY. NO.	ORACLE NO.	A.C. PROJECT CODE NO.	HIGHWAY	MUNICIPALITY	ISLAND	FISCAL YEAR	SHEET NO.	TOTAL SHEETS
xxxx (xx)	-	AC-100076	PR-10	ADJUNTAS	P.R.	2021	6	136



WORK	DATE
DESIGN	
DRAWING	
TRACED	
CHECK	
FINAL CHECK	

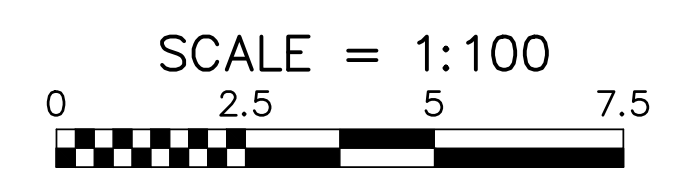
B. & H. FILE: G:\PROJECT\PRELIM\PR-10 Section V\Civil\PR-10 Section-V\_GR4-10(TYPICAL).dwg

**PUERTO RICO HIGHWAY & TRANSPORTATION AUTHORITY**



**HIGHWAY PR-10**  
UTUADO TO ADJUNTAS (SECTION V)  
FROM STA. 96+85.93(10) TO STA. 115+17.95(10)

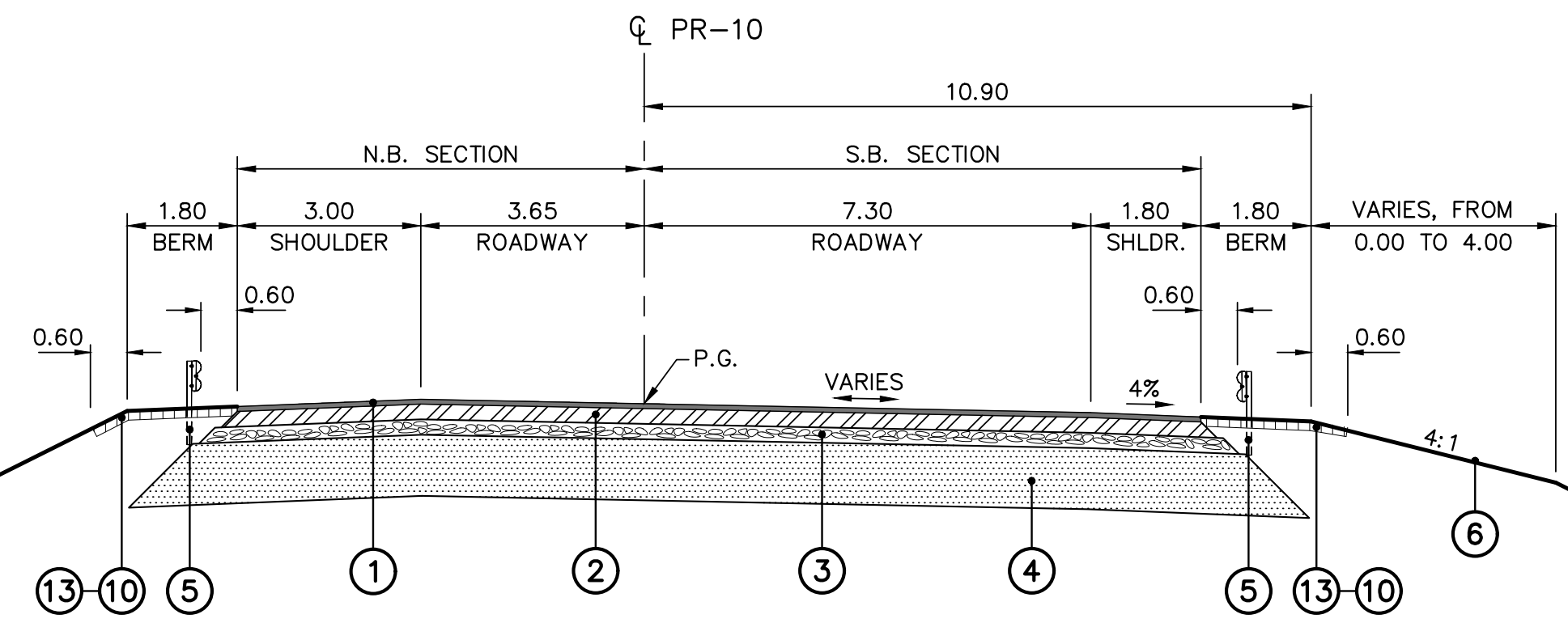
DATE	REVISION



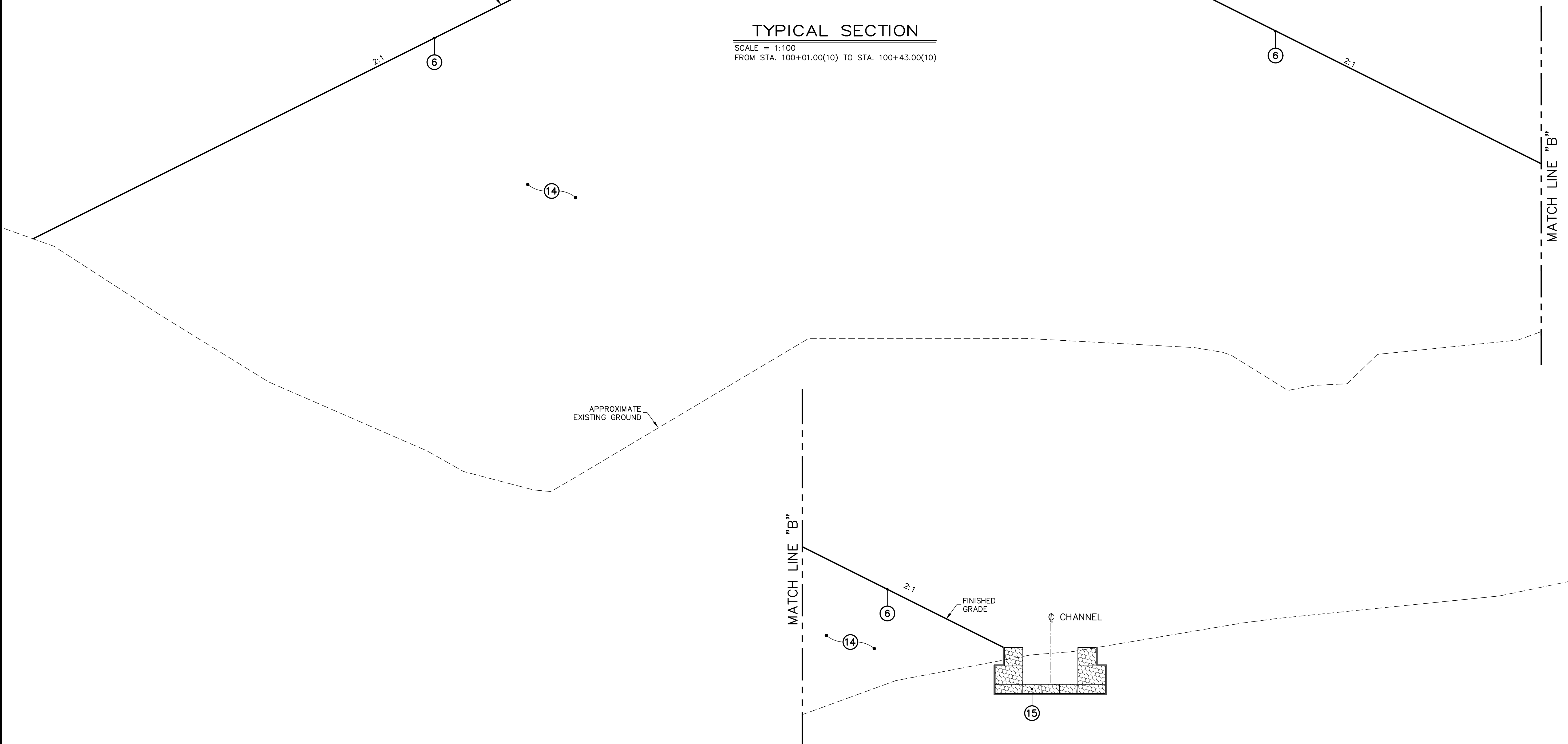
**TYPICAL SECTIONS**

GR  
6

FED. HWY. NO.	ORACLE NO.	A.C. PROJECT CODE NO.	HIGHWAY	MUNICIPALITY	ISLAND	FISCAL YEAR	SHEET NO.	TOTAL SHEETS
xxxx (xx)	-	AC-100076	PR-10	ADJUNTAS	P.R.	2021	7	136



**TYPICAL SECTION**  
 SCALE = 1:100  
 FROM STA. 100+01.00(10) TO STA. 100+43.00(10)



B. & H. FILE: G:\PROJECT\PRELIM\PR-10 Section V\Civil\PR-10\_Section-V\_GR4-10(TYPICAL).dwg

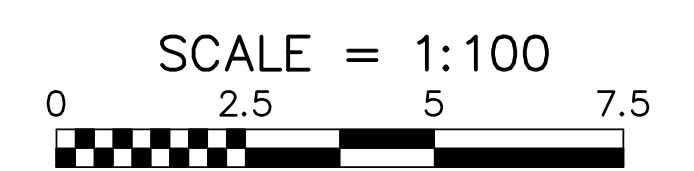
WORK	DATE
DESIGN	
DRAWING	
TRACED	
CHECK	
FINAL CHECK	

**PUERTO RICO HIGHWAY & TRANSPORTATION AUTHORITY**



**HIGHWAY PR-10**  
 UTUADO TO ADJUNTAS (SECTION V)  
 FROM STA. 96+85.93(10) TO STA. 115+17.95(10)

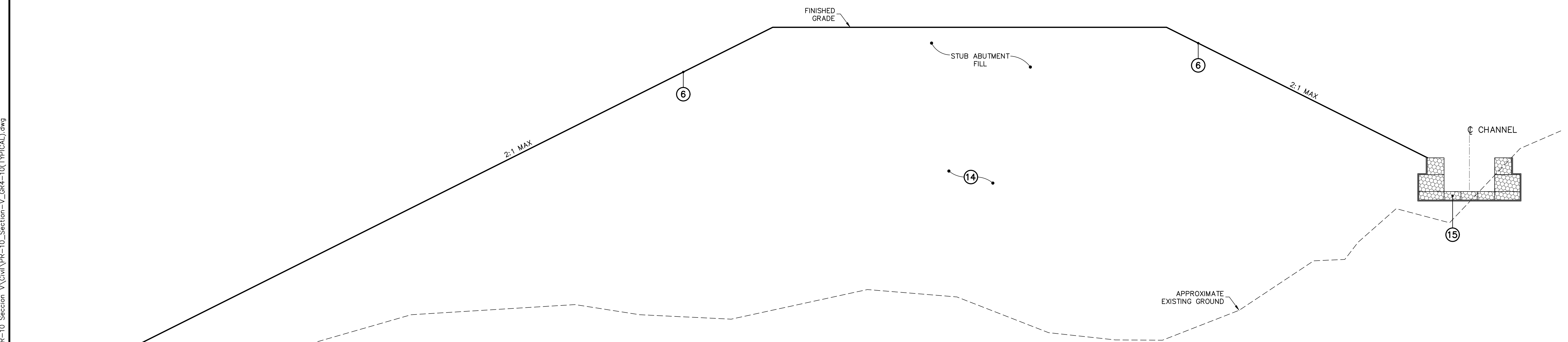
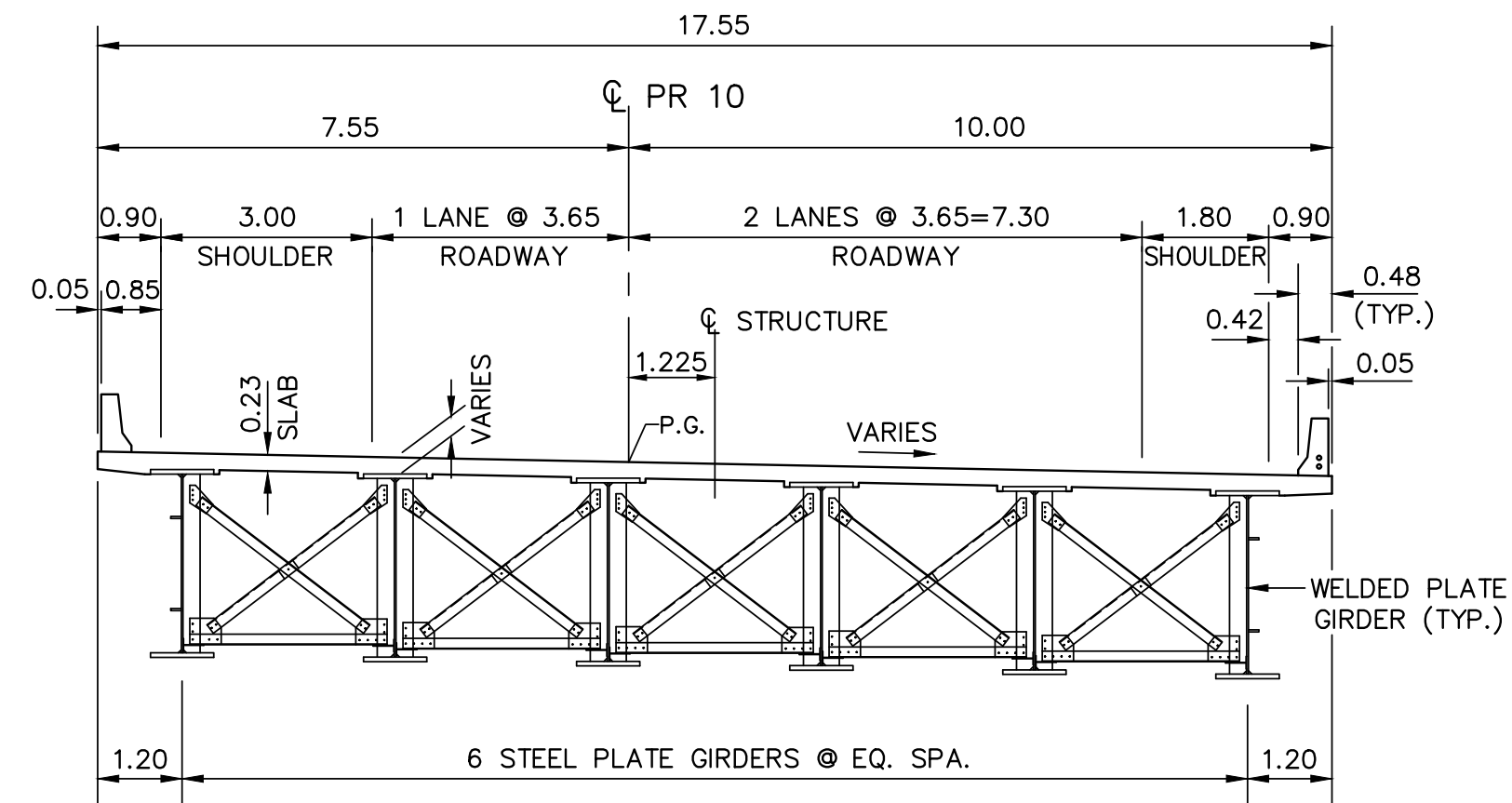
DATE	REVISION



**TYPICAL SECTIONS**

GR  
7

FED. HWY. NO.	ORACLE NO.	A.C. PROJECT CODE NO.	HIGHWAY	MUNICIPALITY	ISLAND	FISCAL YEAR	SHEET NO.	TOTAL SHEETS
xxxx (xx)	-	AC-100076	PR-10	ADJUNTAS	P.R.	2021	8	136



**TYPICAL SECTION**  
 SCALE = 1:100  
 FROM STA. 99+00.00(10) TO STA. 99+94.26(10)

WORK	DATE
DESIGN	
DRAWING	
TRACED	
CHECK	
FINAL CHECK	

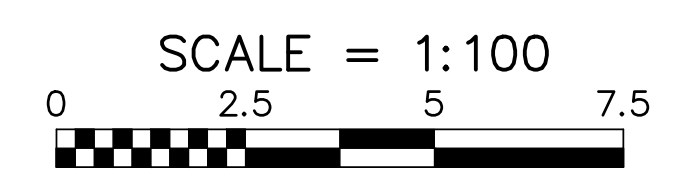
B. & H. FILE: G:\PROJECT\PRELIM\PR-10 Section V\Civil\PR-10\_Section-V\_GR4-10(TYPICAL).dwg

**PUERTO RICO HIGHWAY & TRANSPORTATION AUTHORITY**



**HIGHWAY PR-10**  
 UTUADO TO ADJUNTAS (SECTION V)  
 FROM STA. 96+85.93(10) TO STA. 115+17.95(10)

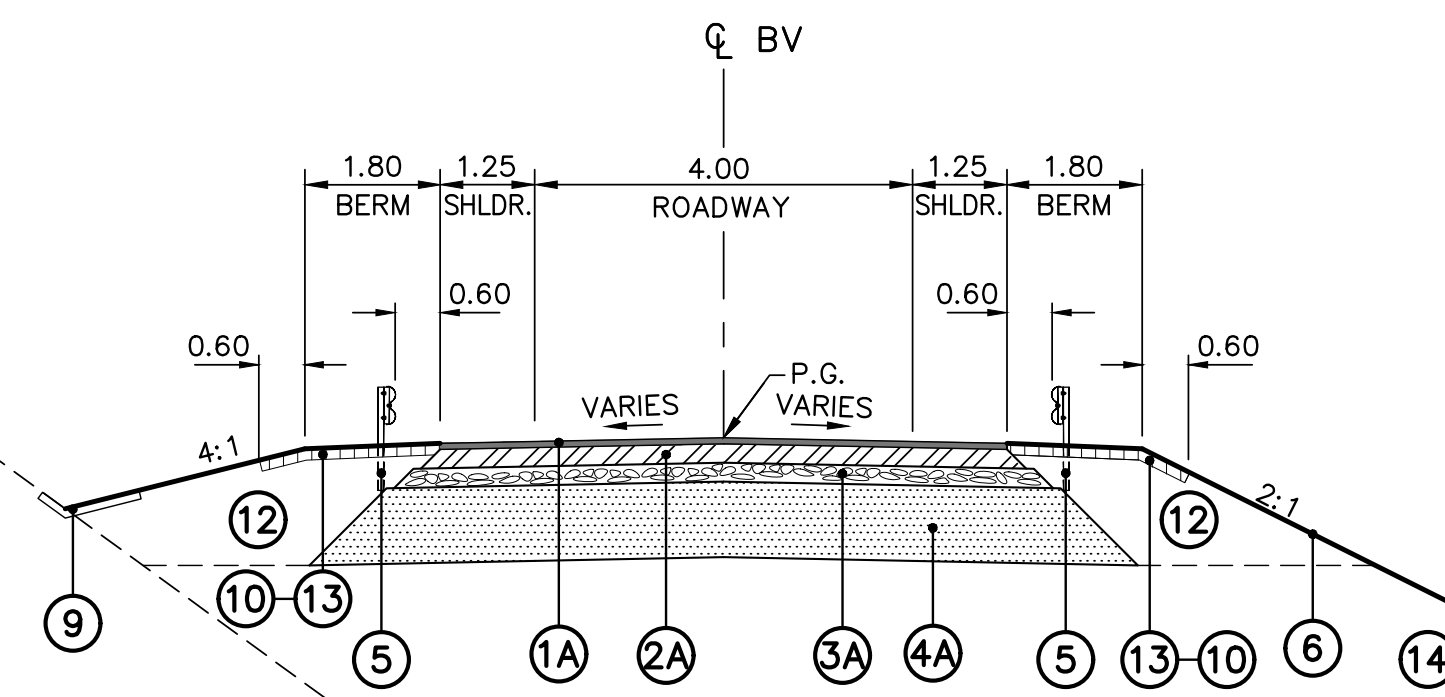
DATE	REVISION



**TYPICAL SECTIONS**

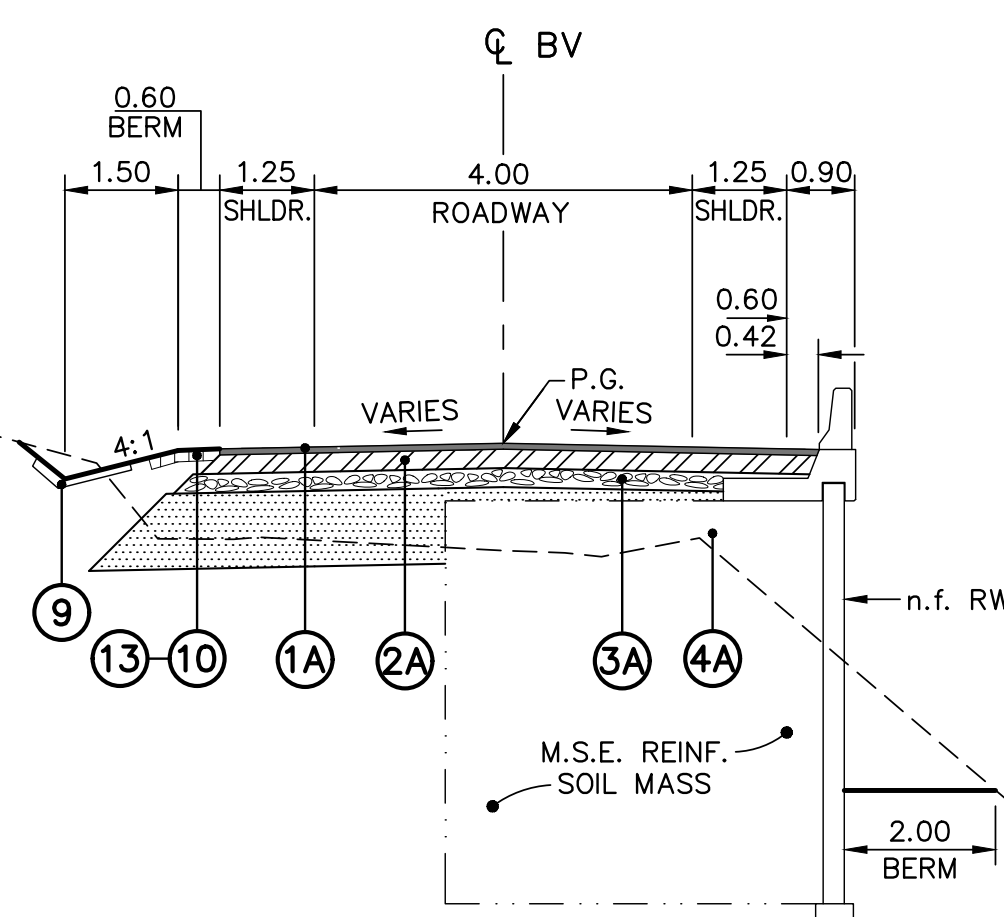
GR  
8

FED. HWY. NO.	ORACLE NO.	A.C. PROJECT CODE NO.	HIGHWAY	MUNICIPALITY	ISLAND	FISCAL YEAR	SHEET NO.	TOTAL SHEETS
xxxx (xx)	-	AC-100076	PR-10	ADJUNTAS	P.R.	2021	9	136



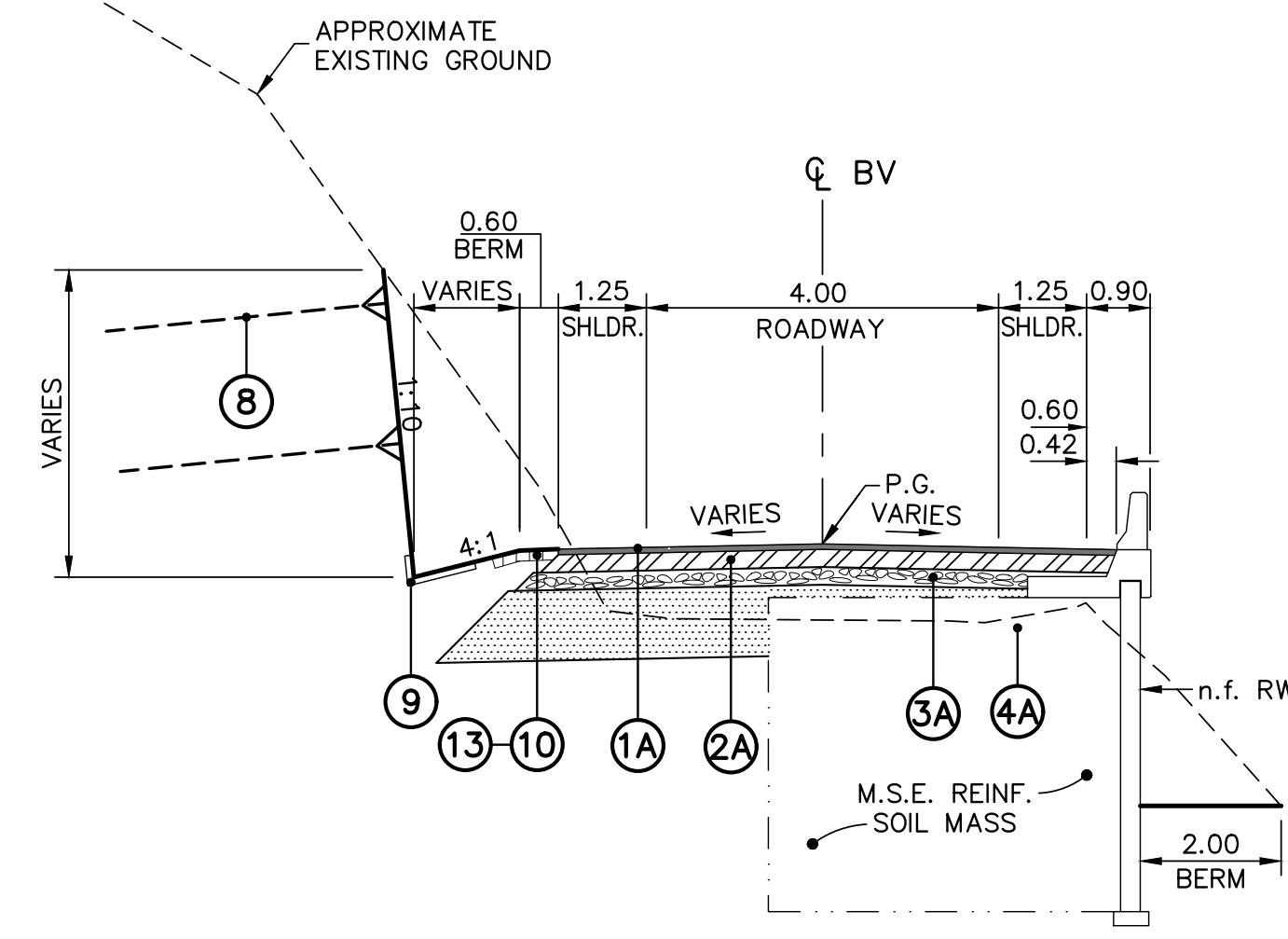
**TYPICAL SECTION**

SCALE = 1:100  
FROM STA. 3+24.00(BV) TO STA. 3+35.00(BV)



**TYPICAL SECTION**

SCALE = 1:100  
FROM STA. 3+35.00(BV) TO STA. 3+67.00(BV)

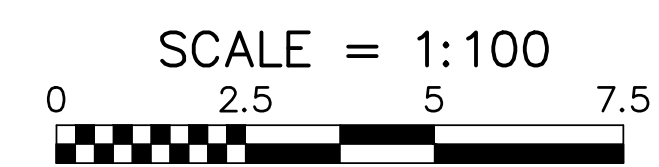


**TYPICAL SECTION**

SCALE = 1:100  
FROM STA. 3+67.00(BV) TO STA. 3+96.00(BV)

EXISTING CREEK

DATE	REVISION

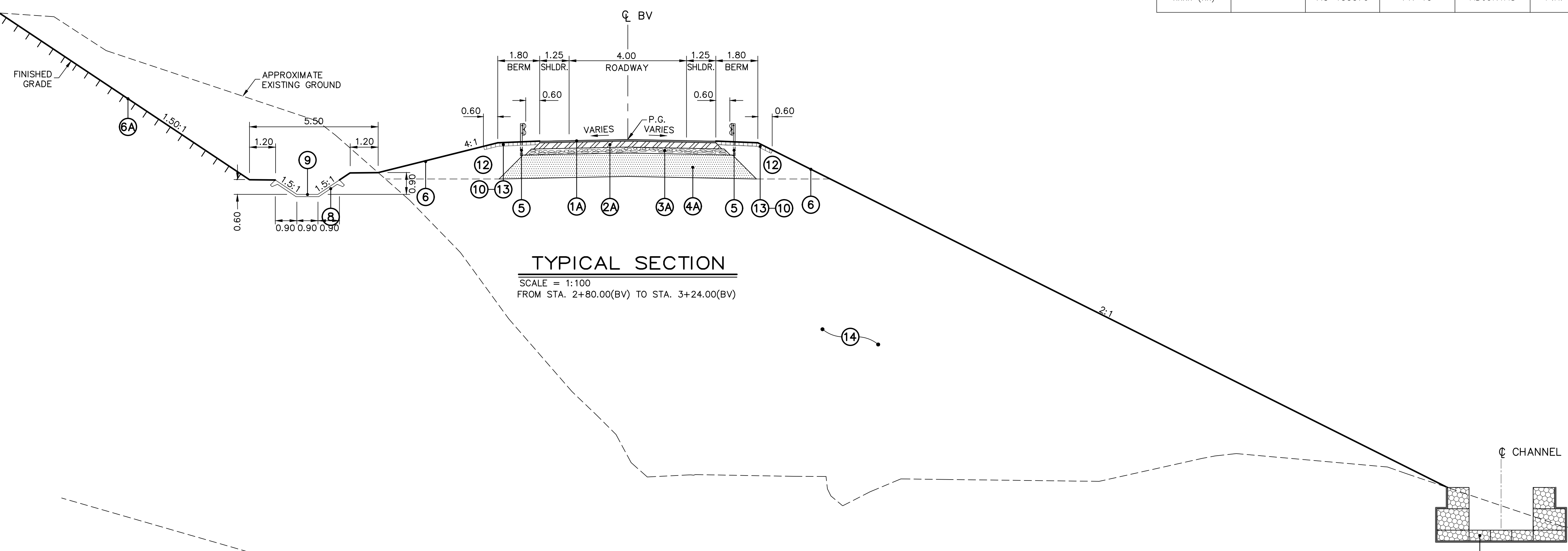


B. & H. FILE: G:\PROJECT\PRELIM\PR-10 Section V\Civil\PR-10 Section-V\_GR4-10(TYPICAL).dwg

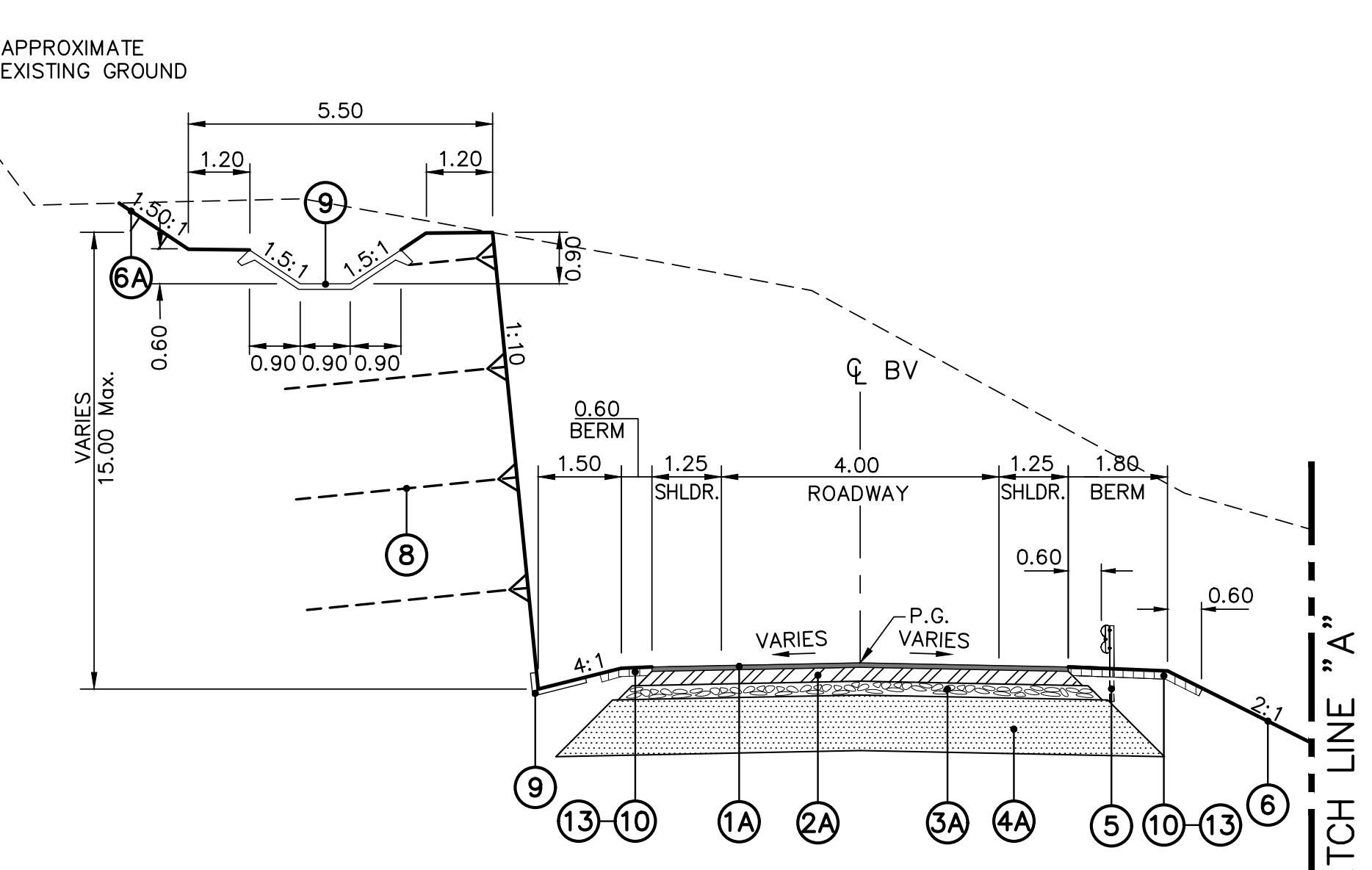
WORK	DATE
DESIGN	
DRAWING	
TRACED	
CHECK	
FINAL CHECK	



FED. HWY. NO.	ORACLE NO.	A.C. PROJECT CODE NO.	HIGHWAY	MUNICIPALITY	ISLAND	FISCAL YEAR	SHEET NO.	TOTAL SHEETS
xxxx (xx)	-	AC-100076	PR-10	ADJUNTAS	P.R.	2021	10	136



**TYPICAL SECTION**  
 SCALE = 1:100  
 FROM STA. 2+80.00(BV) TO STA. 3+24.00(BV)



**TYPICAL SECTION**  
 SCALE = 1:100  
 FROM STA. 1+26.50(BV) TO STA. 2+80.00(BV)

WORK	DATE
DESIGN	
DRAWING	
TRACED	
CHECK	
FINAL CHECK	

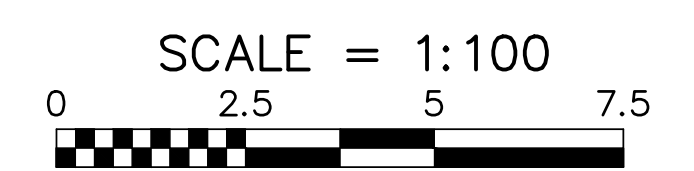
B. & H. FILE: G:\PROJECT\PRELIM\PR-10 Section V\Civil\PR-10\_Section-V\_GR4-10(TYPICAL).dwg

**PUERTO RICO HIGHWAY & TRANSPORTATION AUTHORITY**



**HIGHWAY PR-10**  
 UTUADO TO ADJUNTAS (SECTION V)  
 FROM STA. 96+85.93(10) TO STA. 115+17.95(10)

DATE	REVISION



**TYPICAL SECTIONS**

GR  
10